

Work Area

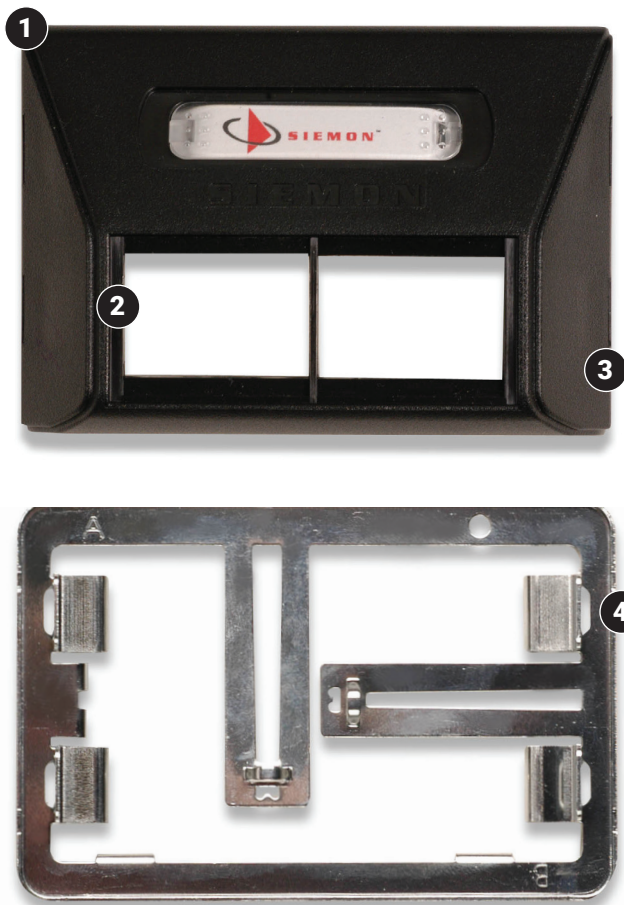
MAX® Universal Modular Furniture Adapter

Regional Availability – Global



Siemon's extended depth, universal modular furniture adapter was specifically designed as a single product solution for securely mounting work area network connectivity in all of today's most common modular furniture systems. The adapter's universal mounting frame is adaptable to fit a wide range of available opening sizes, providing simple, snap-in attachment of the plates. This combination of mounting frame and faceplate facilitates the deployment of today's larger diameter, high performance cabling in congested modular furniture pathways without exceeding performance-critical bend radius limits.

This product platform provides a universal mounting solution for all Siemon connectivity lines including MAX, Hybrid UltraMAX™, Hybrid Z-MAX® and TERA®.



1. Snap-in Faceplate Mounts

Robust latching features ensure secure engagement onto mounting frame – even with congested raceways – while providing quick and easy installation.

2. Flexible Mounting

4-port plates support a wide range of connectivity options.

3. Impact Resistant

Low-profile, angled surface faceplates protect outlets while eliminating catch points to reduce potential damage due to incidental contact – a common concern in modular furniture connectivity solutions.

4. Universal Mounting

Mounting frame adapts to fit nearly any furniture opening and panel thickness, eliminating the need for furniture-specific mounting products while providing a positive fit uncommon to fixed depth latch designs.



Optimized Bend Relief

Extended plate design and optional angled mounting provide additional space to help maintain performance-critical bend radius.



Improved Labeling Visibility

Angled, top-mount label window provides better label visibility in low-light, confined locations common to modular furniture applications

Standards Compliance

- ANSI/TIA-569-E
- UL 1863
- CSA C22.2
- RoHS



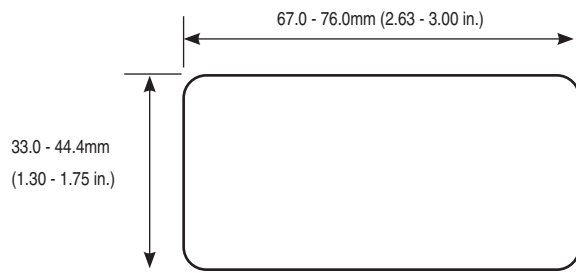
Product Information

SPECIFICATIONS

MATERIAL (MOUNTING FRAME)	Zinc-plated, Cold rolled steel
MATERIAL (FACEPLATE)	High impact, Flame-retardant thermoplastic
FLAMMABILITY RATING (FACEPLATE)	UL 94 V-0
MATERIAL COMPLIANCE	RoHS, Lead-free, Halogen-free, PVC free

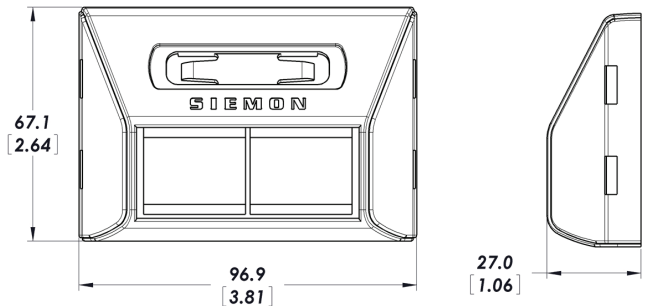
Opening Compatibility

The MAX® Universal Modular Furniture Adapter can be mounted to the following range of panel openings:



Product Dimensions

MAX



Ordering Information

MAX Universal Modular Furniture Adapter

Part Number	Description
MX-UMA-(XX)	MAX Universal Modular Furniture Adapter, Accepts (4) MAX, Hybrid UltraMAX™/Z-MAX® or TERA® Outlets. Includes faceplate, mounting frame, label and clear label holder.

Use (XX) To specify color: 01 = Black, 02 = White, 04 = Gray, 20 = Ivory, 80 = Light Ivory



Because we continuously improve our products, Siemon reserves the right to change specifications and availability without prior notice.

North America
P: (1) 860 945 4200

Mexico
P: (521) 556 387 7708/09/10

Latin America
P: (571) 657 1950/51/52

Europe
P: (44) 0 1932 571771

China
P: (86) 215385 0303

India, Middle East & Africa
P: (971) 4 3689743

Asia Pacific
P: (61) 2 8977 7500

Siemon OEM Technologies
P: (1) 860 945 4213
www.siemon.com/OEM