

Multi-User Telecommunications Outlet Assembly (MUTOA)

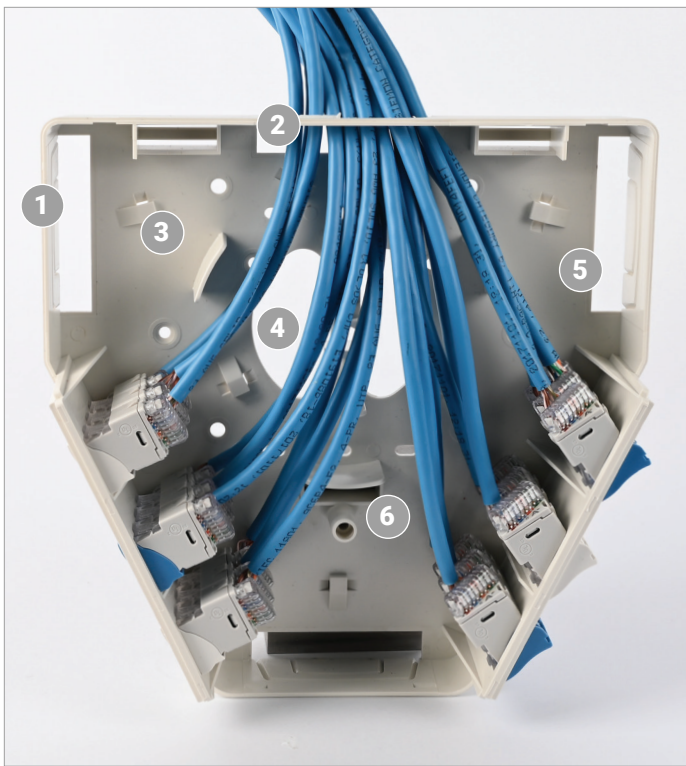
Regional Availability – Global



This low-profile multi-user/multimedia surface mount box is unsurpassed in features and flexibility, and is ideal for use as a multi-user telecommunications outlet assembly (MUTOA) as specified in ANSI/TIA-568.1-E-2020. It provides storage area for up to 12m (39.4 ft.) of buffered optical fiber cable or up to 2m (6.6 ft.) of 4-pair UTP category 6 cables in the base, while maintaining a minimum bend radius of 30mm (1.2 in.).

MUTOA:

A telecommunications outlet scheme intended to serve multiple work areas in an open office environment.



1. Multiple Cable Entries

Breakouts on four sides for cable/raceway entry.

2. Compliancy

Storage capacity provides TIA compliance for cable slack while maintaining minimum bend radius requirements.

3. Secure Anchor Points

Several cable tie anchor points for cable management and strain relief.

4. Back Box Compatible

Rear cable access.

5. Compatibility

Compatible with any standard single or double gang electrical box including European standards. Screws and adhesive-backed tape and zip ties included; magnets optional.

6. Secure Cover

Housing snaps together and a captive screw is included for added security.

7. Versatile

Includes six color matched blank inserts for unused ports.

8. Durable

UV resistant, high impact plastic prevents color fading and provides added durability.

9. Labeling

Convenient large capacity labeling area.



Capacity

Accepts up to 18 hybrid version (flat or angle mount) Z-MAX® and UltraMAX™, or MAX fiber and audio video modules.



Cable Slack Storage*

Large capacity with versatile mounting options.

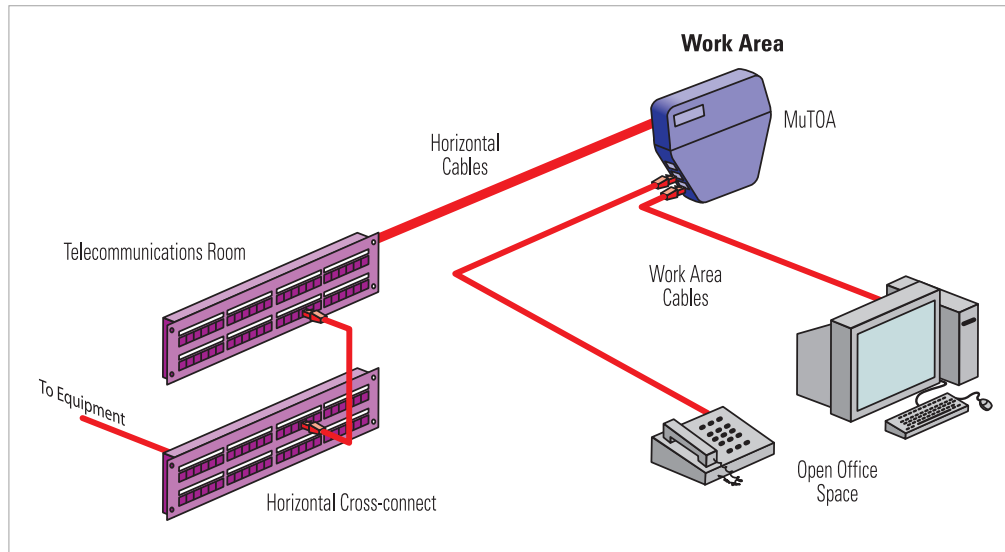


Clean Finish

Hideaway labeling system flips down to reveal a designation label area.

*Max. capacity will need to be derated for cables larger than typical category 6 sizes (see knockout dimensions on back page).

Ordering Information



This is an example of Open Office Implementation using the MUTOA.

MUTOA

Part Number	Description
MX-MMO-(XX)	Multi-user/telecommunications outlet box with cable ties, mounting screws and adhesive tape. Accepts up to 18 Z-MAX® or UltraMAX™ (hybrid version) modules. Height: 200.2mm (7.88 in.), Width: 200.2mm (7.88 in.), Depth: 57.0mm (2.25 in.).

Use (XX) to specify color: 02 = White, 20 = Ivory, 80 = Light Ivory

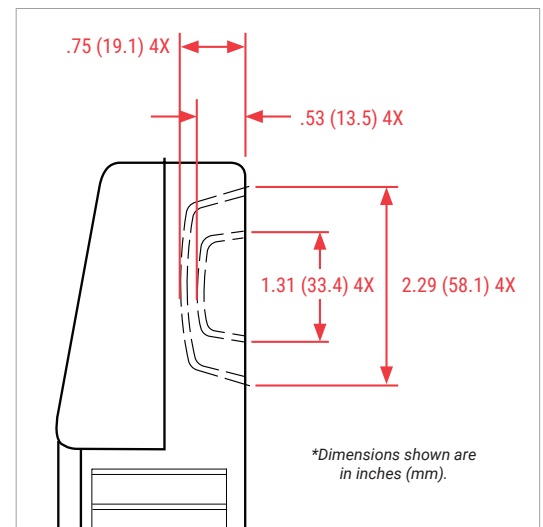
Accessory

Part Number	Description
CT-MMO-MAG	Set of 3 magnets for optional mounting.

For related product information for Z-MAX, click [here](#) and for UltraMAX, click [here](#).

Z-MAX and UltraMAX are registered trademarks of Siemon.

Knockout Dimensions*



SCAN TO DOWNLOAD SPEC SHEET

Because we continuously improve our products, Siemon reserves the right to change specifications and availability without prior notice.

North America
P: (1) 860 945 4200

Mexico
P: (521) 556 387 7708/09/10

Latin America
P: (571) 657 1950/51/52

Europe
P: (44) 0 1932 571771

Asia Pacific
P: (61) 2 8977 7500

Siemon OEM Technologies
P: (1) 860 945 4213
www.siemon.com/OEM

China
P: (86) 215385 0303

India, Middle East & Africa
P: (971) 4 3689743