

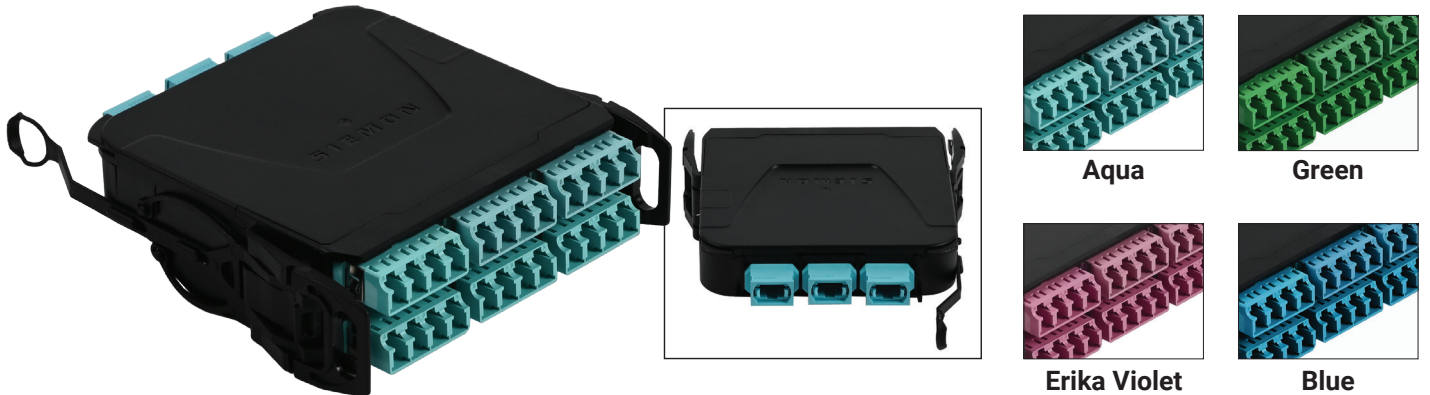
# LightVerse® Fiber Optic Cabling System

## Plug and Play Modules

Regional Availability - Global

The Siemon LightVerse system includes a wide range of plug and play transition modules which have been designed with the user in mind, combining innovative functionality with the quality and performance users expect from Siemon fiber solutions. This module may also be used as an aggregation/breakout module for network aggregation. Please see the Siemon Tech Brief on aggregation/breakout for more details.

Available in singlemode and multimode fiber options, Base-8 and Base-12 fiber configurations and various connector types, LightVerse modules allow users to seamlessly mix-and-match different types as needed to support their unique application needs. MTP connectors fully comply with MPO standards.



### Shuttered Options

LightVerse modules are available in both LC shuttered and non-shuttered configurations, allowing users to add more protection if required.

### True Fiber Support

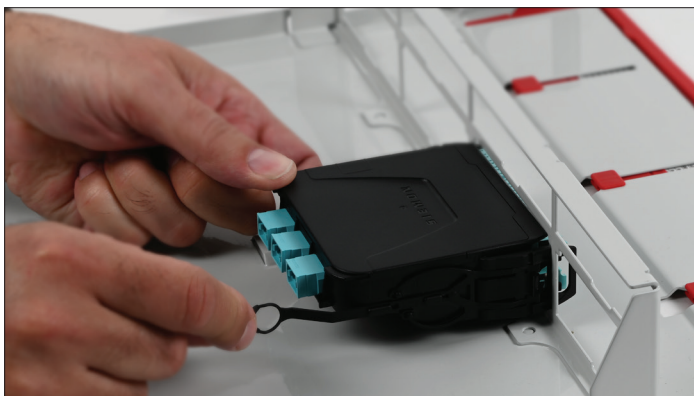
LightVerse modules are available at standard or ultra-low loss performance levels and support OM3, OM4 and OS2 fiber types. Universal polarity\* is also available for planning and installation simplicity.

### Flexible Installation

Each LightVerse module includes an integrated latch and pull tether, which allows for easy one-handed installation and removal from the front or rear of the unit, allowing users to work efficiently in even the densest environments.

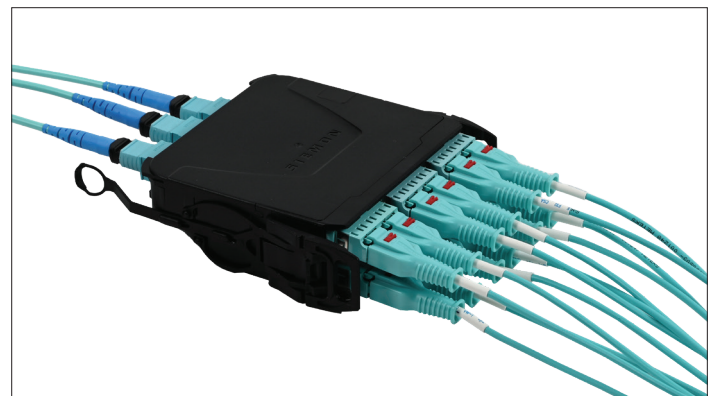
### Robust Construction

All LightVerse modules are made from molded plastic, providing a lightweight yet durable footprint for use in your data networks. All LightVerse LC adapters use ceramic sleeves allowing for better fiber core to core alignment.



### EASY MANAGEMENT

Each LightVerse module includes an integrated pull tether which allows for easy installation and rear removal in tight, high density application environments, allowing users to quickly deliver move, adds and changes.

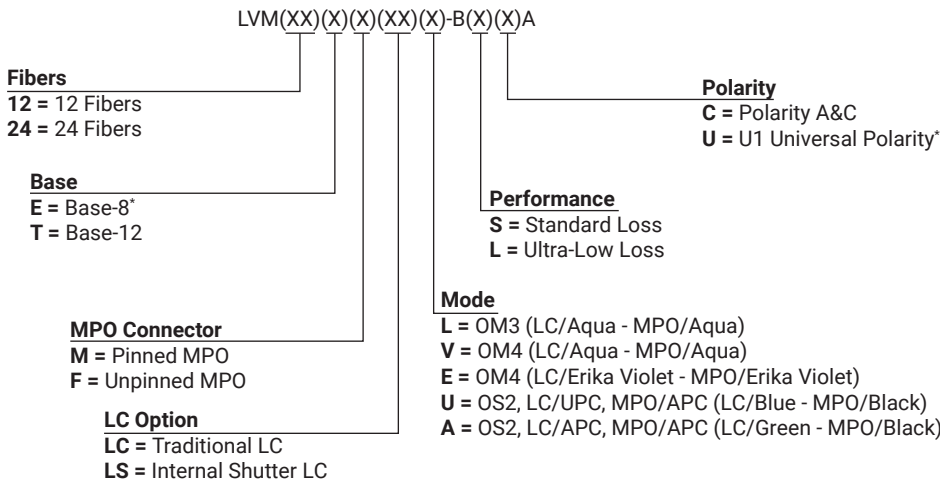


### SIMPLE TRANSITIONS

The plug and play modules are ideal for transitioning MPO backbone cables to LC or SC simplex connectivity for Base-8 or Base-12 configurations, allowing maximum flexibility and control within your designs.

# Ordering Information

## LightVerse® Plug and Play Modules



\*Base-8 is 24 fibers only.  
 \*Universal polarity offered under patent license.

## Performance Specifications (Standard)

Fiber Type	MAX Insertion Loss (dB)		Min. Return Loss (dB)		Performance Class
	MPO	LC	MPO	LC	
5L-MM 50/125 10G (OM3)	0.40	0.25	20	30	XGLO® 300
5V-MM 50/125 10G (OM4)	0.40	0.25	20	30	XGLO 550
SM-LWP SM (OS1/OS2)	0.60	0.40	60	55 UPC/65 APC	XGLO

## Performance Specifications (Ultra-Low Loss)

Fiber Type	MAX Insertion Loss (dB)		Min. Return Loss (dB)		Performance Class
	MPO	LC	MPO	LC	
5L-MM 50/125 10G (OM3)	0.20	0.15	20	30	XGLO 300
5V-MM 50/125 10G (OM4)	0.20	0.15	20	30	XGLO 550
SM-LWP SM (OS1/OS2)	0.30	0.20	60	55 UPC/65 APC	XGLO

Because we continuously improve our products, Siemon reserves the right to change specifications and availability without prior notice.

**North America**  
 P: (1) 860 945 4200

**Mexico**  
 P: (521) 556 387 7708/09/10

**Latin America**  
 P: (571) 657 1950/51/52

**Europe**  
 P: (44) 0 1932 571771

**China**  
 P: (86) 215385 0303

**India, Middle East & Africa**  
 P: (971) 4 3689743

**Asia Pacific**  
 P: (61) 2 8977 7500

**Siemon OEM Technologies**  
 P: (1) 860 945 4213  
[www.siemon.com/OEM](http://www.siemon.com/OEM)

