

Fiber Splitter Panel

The Fiber Splitter Panel uses advanced PLC (Planar Lightwave Circuit) technology to enable multiple fiber connections with superior optical performance. This method uses splitter devices fabricated with silica optical waveguide elements which results in low insertion loss, high uniformity, and low polarization dependent loss (PDL). The Fiber Splitter Panel is a 19 inch rack mount unit with SC ports in either UPC or APC versions. It is available in various port configurations ranging from 1 or 2 inputs and 8 to 32 output ports.

The Fiber Splitter Panel is ideal for Passive Optical LAN 's and other singlemode applications requiring high performance splitting of optical signals. Siemon offers a complete range of fiber cables and connectivity, including preterminated MTP solutions, to complete an entire passive optical channel.

- APPLICATIONS**
- Passive Optical LAN (POL) systems
 - PON / FTTX Networks
 - CATV
 - DWDM and CWDM systems



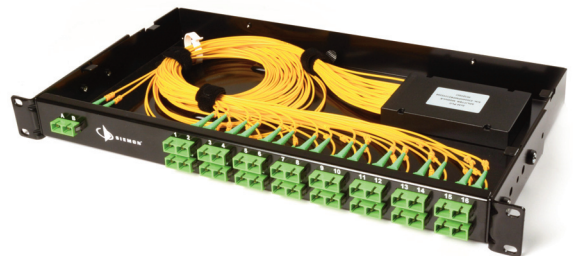
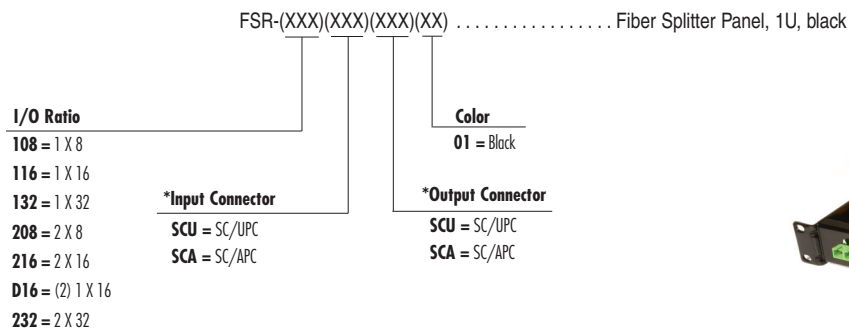
• **1X Splitters:**
Traditional splitters with a single input and multiple outputs

• **Dual Splitters:**
Packages two 1X splitters in a single cassette. There are two inputs for these splitters and each input connects to different output ports. There is no connection between the two splitters.

• **2X Splitters:**
These splitters provide two inputs and multiple outputs but, unlike a dual splitter, both inputs connect to all outputs provided that both inputs are not transmitting at the same time. These splitters allow redundancy by having two inputs feed all available outputs.

PRODUCT INFORMATION

Ordering Information:



* Input and output connector must be the same type.

Specifications:

Parameter	1x8	2x8	1x16	2x16	1x32	2x32
Splitter Technology	Planar Lightwave Circuit (PLC)					
Fiber Type	Singlemode					
Operating Wavelength (nm)	1260-1650					
Insertion loss (dB) max	11.2	12.0	14.2	15.0	17.5	17.8
Polarization Dependent Loss (dB)	0.3	0.4	0.3	0.4	0.3	0.4
Splitter Uniformity (dB) max	1.0	1.7	1.2	2.0	1.5	2.1
Wavelength dependent Loss (dB)	0.4	1.0	0.5	1.0	1.0	1.0
Directivity (dB) min	>55					
Splitter Return Loss (dB) APC Min	>55					
Splitter Return Loss (dB) UPC Min	>50					
Fiber Cable	2mm LSOH ITU G652D					
Connector Types	SC/APC, SC/UPC					
Storage Temp. (°C)	-40 to +85 (-40 to 185° F)					
Operation Temp. (°C)	-40 to +85 (-40 to 185° F)					
Operation/Storage Humidity (%RH)	5 to 95					
Mounting	19 inch (482.6mm) rack CEA-310-E					
Material	Stainless steel and aluminum					
Color	Black with E-Coat finish					
Compliance	GR-1209/GR-1221 qualified splitter. GR-326 certified connectors					

Because we continuously improve our products, Siemon reserves the right to change specifications and availability without prior notice.

**Worldwide Headquarters
North America**
Watertown, CT USA
Phone (1) 860 945 4200

**Regional Headquarters
Europe Africa**
Chertsey, Surrey, England
Phone (44) 0 1932 571771

**Regional Headquarters
China**
Shanghai, P.R. China
Phone (86) 215385 0303

**Regional Headquarters
Latin America**
Bogota, Colombia
Phone (571) 657 1950/51/52

**Regional Headquarters
India Middle East**
Dubai, United Arab Emirates
Phone (971) 4 3689743

**Regional Headquarters
Asia Pacific**
Sydney, Australia
Phone (61) 2 8977 7500

**Siemon Interconnect Solutions
Watertown, CT USA**
Phone (1) 860 945 4213 US
www.siemon.com/SIS