

MTP® to LC BladePatch® Hybrid Equipment Cords - Base-12

Regional Availability - Global

Utilizing high quality Siemon RazorCore™ cable, Base-12 MTP to LC BladePatch Trunks offer a connectivity transition from one 12-fiber MTP or MTP Pro connector to six duplex LC connectors. The LC BladePatch connector features UniClick™ technology to easily release the boot to change polarity and a unique push-pull boot to control the latch, enabling easy access and removal in tight-fitting areas. Ideal to facilitate interconnects or cross connects between active equipment, these Base-12 MTP to LC BladePatch Trunks may be implemented using Siemon's MTP to MTP Adapter Plates to provide direct MTP to LC patching options over a wide range of distances and infrastructure configurations. These trunks are also available in specific staggered lengths for active equipment including NEXUS, Cisco MDS and Brocade.

Multiple Fiber Types

Available in multimode (laser optimized 50/125 OM3 and OM4) and singlemode

Small Diameter

RazorCore fiber cable improves cable management and pathway fill

Low Profile Boot

Optimizes side-stackability

Enhanced Installation and Removal

Innovative and patented LC BladePatch, push-pull boot for easy access in high density environment

UniClick™ Switch

The UniClick™ uniboot technology features a smaller footprint, one-piece body with an integrated switch to enable faster and easier polarity change using the innovative rotating latches



MTP PRO Connector

The MTP Pro option enables quick and easy polarity and pin changes in the field using an innovative hand-held tool.

Product Information

Cable - Optical and Physical Specifications

Cable Type	Multimode		Min Return Loss (db)
	XGLO 50/125 OM3 (850/1300mm)	XGLO 50/125 OM4 (850/1300mm)	XGLO (1310/1383/1550mm)
Fiber Cable Attenuation MAX (db/km)	3.0/1.0	3.0/1.0	0.4/0.4/0.3*
LED Bandwidth, MIN (MHz/km)	1500/500	3500/500	n/a
Effective Modal Bandwidth, MIN (MHz/km)	2000	4700	n/a
Cable Outer Jacket, Color (Per TIA-598-C)	Aqua	Aqua	Yellow

* XGLO Singlemode fiber meets low water peak specifications per ITU-T G.652.C

Non-Armored Cable & Pulling Eye Assembly

Fiber Stand Count	Cable Diameter		Max. Pulling Eye Diameter mm (in.)	*Required Duct Diameter mm (in.)	Max Pull Force kg (lbs.)
	Plenum	LSOH			
8	3.0 (0.12)	3.0 (0.12)	38.1 (1.5)	69.9 (2.75)	18.1 (40)
16	3.8 (0.15)	3.8 (0.15)	38.1 (1.5)	69.9 (2.75)	18.1 (40)
24	3.8 (0.15)	3.8 (0.15)	38.1 (1.5)	69.9 (2.75)	18.1 (40)
32	7.5 (0.30)	6.5 (0.26)	38.1 (1.5)	69.9 (2.75)	18.1 (40)
48	7.5 (0.30)	6.5 (0.26)	44.5 (1.75)	88.9 (3.5)	18.1 (40)
72	7.5 (0.30)	6.5 (0.26)	44.5 (1.75)	88.9 (3.5)	18.1 (40)
96	13.6 (0.54)	12.5 (0.49)	63.5 (2.5)	108 (4.25)	18.1 (40)
144	13.6 (0.54)	12.5 (0.49)	80 (3.15)	125 (4.92)	18.1 (40)

* Pulling eye assembly shall be capable of passing through these minimum duct diameter requirements during product installation

Connectors - Optical Specifications

Fiber Type	Performance Class	Max Insertion Loss (db)		Min Return Loss (db)	
		MTP	LC/SC	MTP	LC/SC
10G 50/125µm Multimode OM3	XGLO 300	0.40	0.25	20	30
10G 50/125µm Multimode OM4	XGLO 550	0.40	0.25	20	30
Laser Optimized 50/125 Multimode OM3	XGLO 300 Low Loss	0.20	0.15	20	30
Laser Optimized 50/125 Multimode OM4	XGLO 550 Low Loss	0.20	0.15	20	30
Singlemode OS2	XGLO	0.60	0.40	60	55

Connectors - Physical Specifications

Connector Type	IEC Intermateability Compliance	TIA Intermateability Compliance	Housing Color		Boot Color	
			SM	MM-5L/5V	SM	MM
12-Fiber MTP	IEC 61754-7	TIA/EIA-604-5	Green	Aqua	Blue	Blue

Bend Insensitive Fiber

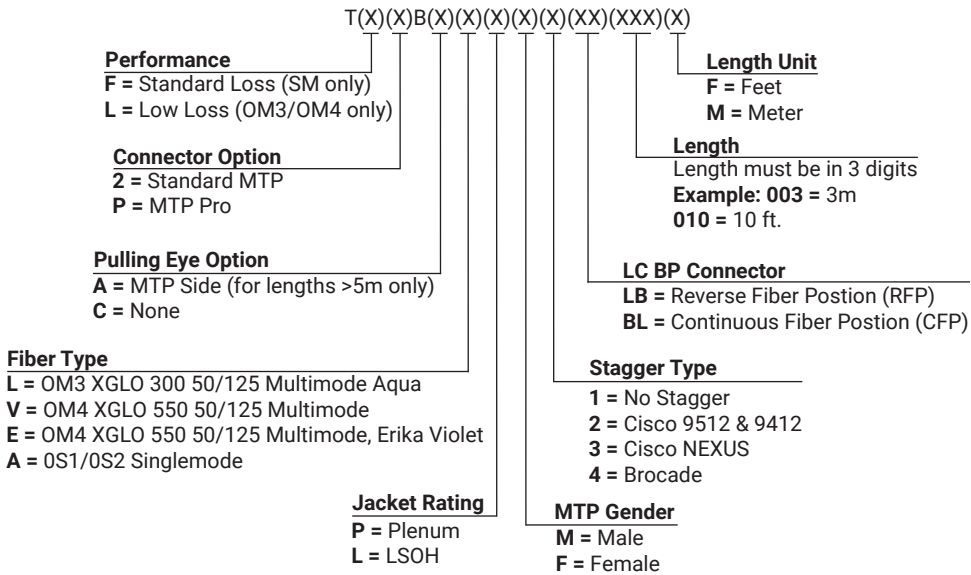
Multimode OM3 Per TIA/EIA-492AAAC, IEC60793-2-10 A1a.2

Multimode OM4 Per TIA/EIA-492AAD, IEC60793-2-10 A1a.3

Singlemode OS1/OS2 Per TIA-492CAAB, IEC60793-2-50 B1.3, ITU-T G.652 C/D, ITU-T G.657.A1

Ordering Information

MTP® to LC BladePatch® Hybrid Equipment Cords - Base-12



MTP PRO Activation Tool and PIN Exchangers

Part Number	Description
FT-MP-AT	Field Termination, MTP PRO, Activation Tool
FT-MP-PE-SME	Field Termination, MTP PRO, Pin Exchanger with SM Elite Pins
FT-MP-PE-MME	Field Termination, MTP PRO, Pin Exchanger with MM Elite Pins

* Minimum order length is 1 meter (3.28 ft.). Order length is measured connector tip to connector tip. Trunks greater than 1 meter (3.28 ft.) have breakout length of 1 meter (3.28 ft.). 1 meter (3.28 ft.) trunks have a 50cm (1.64 ft.) breakout length (See diagram below)

**Only trunk lengths greater than 5 meters (16FT) come with a pulling eye



Because we continuously improve our products, Siemon reserves the right to change specifications and availability without prior notice.

North America P: (1) 860 945 4200	Asia Pacific P: (61) 2 8977 7500	Latin America P: (571) 657 1950/51/52	Europe P: (44) 0 1932 571771	China P: (86) 215385 0303	India, Middle East & Africa P: (971) 4 3689743
Siemon Interconnect Solutions P: (1) 860 945 4213 www.siemon.com/SIS	Mexico P: (521) 556 387 7708/09/10				