

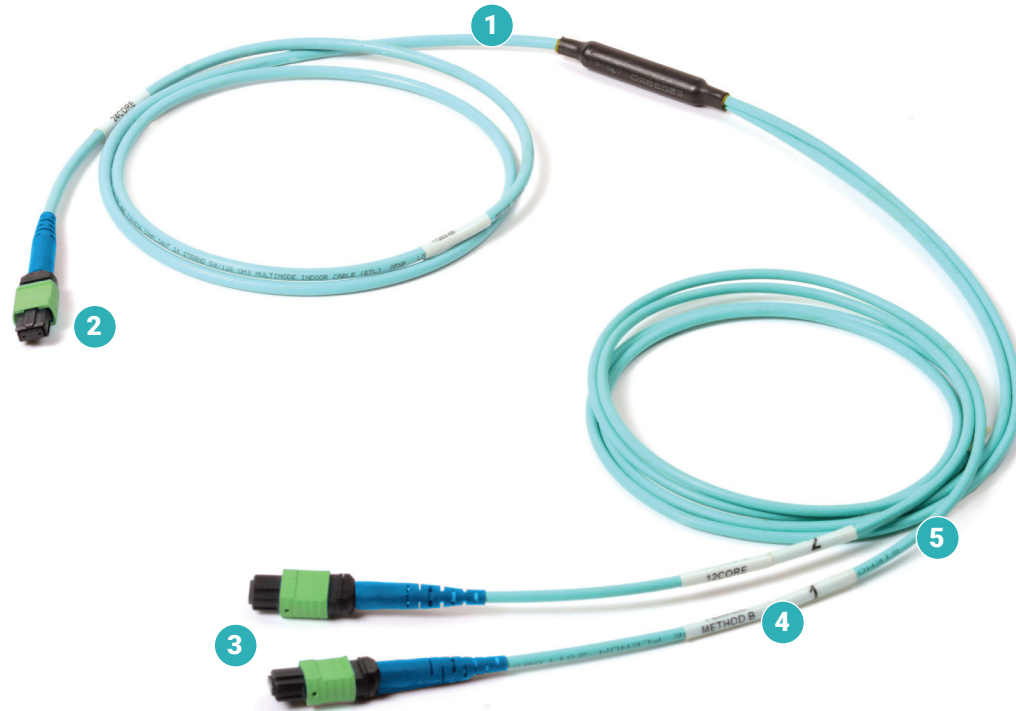
400G to 200G Equipment Conversion Cord

Regional Availability – Global

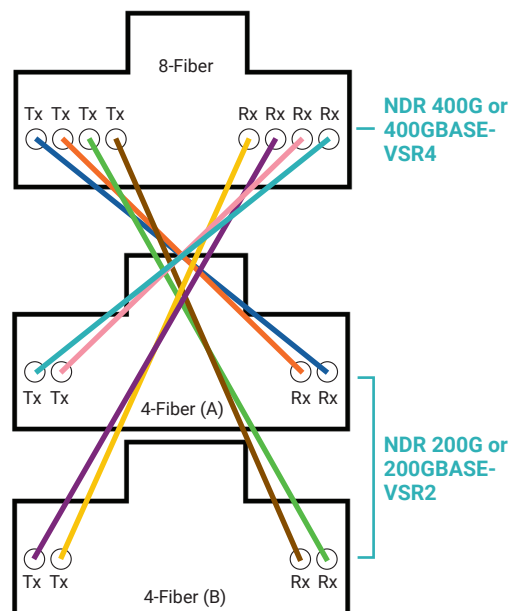


Equipment Conversion Cord: (1) 8F MTP to (2) 4F MTP

Simon's 400G to 200G Equipment Conversion Cord is designed to break out an 8-fiber MTP application to (2) 4-fiber MTPs allowing deployment of an 8-fiber application across a 4-fiber MTP infrastructure.



- 1. Small Diameter (3.0mm)**
RazorCore™ fiber cable improves cable management.
- 2. (1) 8-Fiber MTP/APC Connector**
- 3. (2) 4-Fiber MTP/APC Connectors**
- 4. Designation Labels**
On each leg for traceability throughout the channel.
- 5. Jacket Ratings**
Available in Plenum and LSOH.



Connector Type

MTP
MTP Pro®

IEC Intermateability Compliance

IEC 61754-7

TIA Intermateability Compliance

TIA-604-5 (FOCIS 5)

IEEE Intermateability Compliance

IEEE 802.3db

InfiniBand Intermateability Compliance

InfiniBand Architecture Specification Vol.2,
Release 1.5

Housing Color

Green

Boot Color

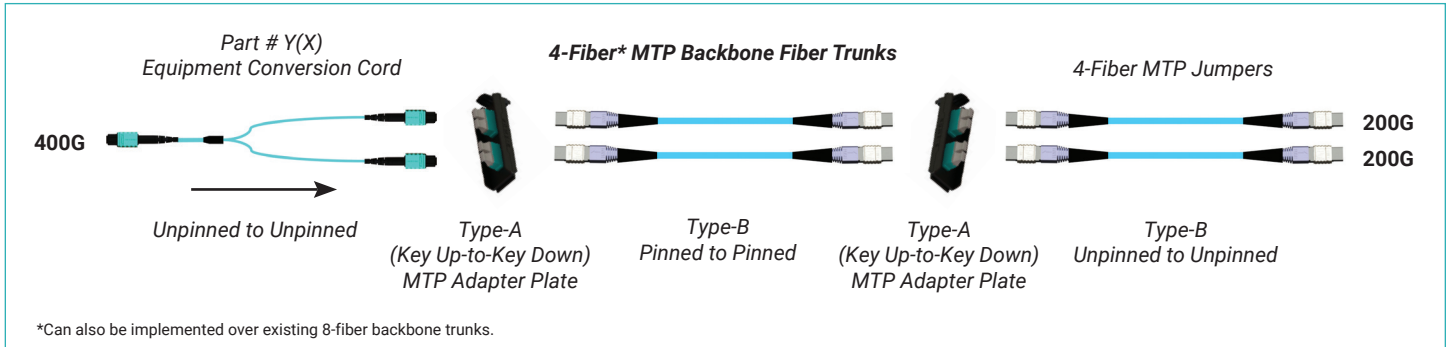
MTP - Blue
MTP Pro - Black

Cable Outer Jacket Color (Per TIA-598-D)

Aqua

Product Information

400G to 200G Channel



Connectors – Optical Specifications

FIBER TYPE	PERFORMANCE CLASS	MAX INSERTION LOSS (dB)		MIN RETURN LOSS (dB)	
		MTP	MTP	MTP	MTP
MULTIMODE OM3 APC	XGLO® 300 Ultra-low loss	0.30		35	
MULTIMODE OM4 APC	XGLO 550 Ultra-low loss	0.30		35	

Cable – Optical Specifications

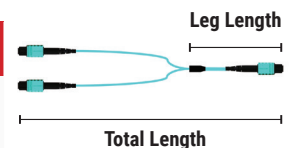
CABLE TYPE	MULTIMODE	
	XGLO 50/125 OM3 (850/1300nm)	XGLO 50/125 OM4 (850/1300nm)
FIBER CABLE ATTENUATION, MAX (dB/km)	3.0/1.0	3.0/1.0
LED BANDWIDTH, MIN (MHz/km)	1500/500	3500/500
EFFECTIVE MODAL BANDWIDTH, MIN (MHz/km)	2000	4700
MAXIMUM REACH (m)	300	550

Ordering Information

400G to 200G Equipment Conversion Cord

Y (X) 8F4F (XX) (XX) (X) (XXX) (X)

MTP CONNECTOR	LEG LENGTH*	FIBER TYPE	JACKET RATING	TOTAL LENGTH	LENGTH UNIT
J = Standard MTP P = MTP Pro®	01 = 1m 05 = 5 ft	5T = OM3 XGLO 300 50/125, Multimode 5U = OM4 XGLO 550 50/125, Multimode	P = Plenum L = LSOH	Length must be 3 digits Example: 003 = 3m 010 = 10 ft	F = Feet M = Meter



*Max leg length is 5 meter/16 feet.

Because we continuously improve our products, Siemon reserves the right to change specifications and availability without prior notice.

North America
P: (1) 860 945 4200

Mexico
P: (521) 556 387 7708/09/10

Latin America
P: (571) 657 1950/51/52

Europe
P: (44) 0 1932 571771

China
P: (86) 215385 0303

India, Middle East & Africa
P: (971) 4 3689743

Asia Pacific
P: (61) 2 8977 7500

Siemon OEM Technologies
P: (1) 860 945 4213
www.siemon.com/OEM