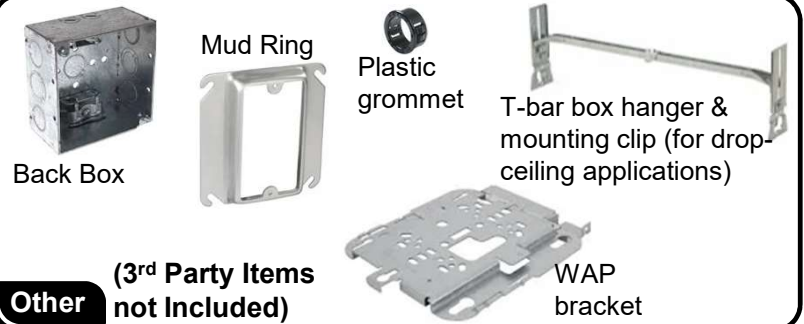


MAX® WiFi Faceplate Installation Instructions

(p/n: MX-WB1-02-02)



Tools



Other

(3rd Party Items not Included)

[Drop-ceiling applications]

Cut a hole in the ceiling tile sized to accommodate the mud ring.

Note: For wall mount applications skip steps; 1, 3, & 5

1



Install 4" square, single gang 5/8" high mud ring onto the 4 11/16" x 2 1/8" four square (or similar) electrical box.

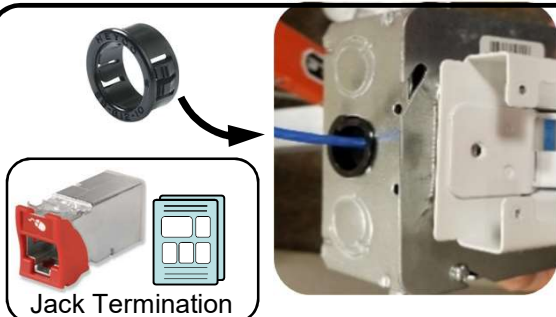
2



[Drop-ceiling applications]

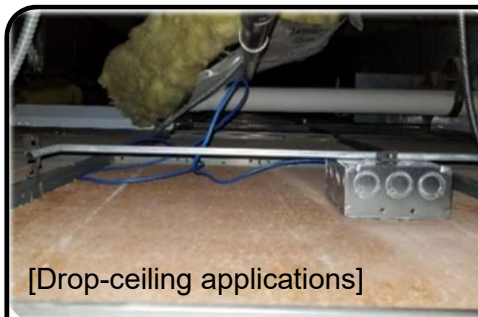
Install the acoustical tee box hanger and box mounting clip to the 4 square electrical box.

3



Identify which knock out on the back box you will use to route the cable and place a plastic grommet into the knock out to prevent cable damage. Feed cable through the knock out and terminate with MAX or Z-MAX outlets.

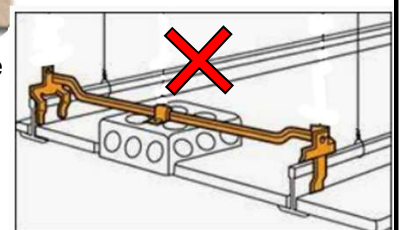
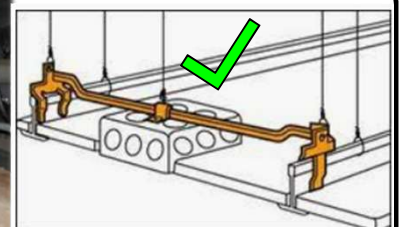
4



[Drop-ceiling applications]

Install the Tee box hanger onto the ceiling grid above the ceiling tile placing the mud ring and electrical box into the pre-cut hole in the tile.

5



Ensure additional support to the building structure is added independent of the existing ceiling grid support.

WiFi Plate Installation Instructions



Snap your MAX or Z-MAX outlets into the Siemon faceplate either angled or flat based on your installation best practices (typically angled mount works best for Z-MAX and only flat for MAX series). Install the WiFi plate onto the mud ring with the two screws that are packaged with the plate from Siemon. Install the Siemon patch cord(s) into the outlets.

6



Install the Wireless Access Point (WAP) manufacturers ceiling mount bracket onto the Siemon faceplate. You may need to adjust the bracket to match up with the holes on the Siemon faceplate. Secure the bracket with the screws supplied by that manufacture or any #6-32 machine screw.

7



Install the WAP onto the bracket and connect patch cords to finish the installation.

7



Additional Finished Photos:

[drop ceiling application]

8



To assist safe installations, comply with the following:

- A. Use caution when installing or modifying telecommunications circuits.
- B. Never touch uninsulated wire terminals unless the circuit has been disconnected.
- C. Never install this device in a wet location.
- D. Never install wiring during a lightning storm.

Lors de l'installation, respectez les consignes de sécurité suivantes:

- A. Utiliser avec prudence lors de l'installation ou de la modification circuits de télécommunications.
- B. Ne jamais toucher les bornes de fil métallique non isolés sauf si le circuit a été débranché.
- C. Ne jamais installer cet appareil dans un endroit humide.
- D. Ne jamais installer pendant un orage.

Global Headquarters
Watertown, Connecticut USA
Tel: (1) 866-548-5814

For a complete listing of our global offices visit our web site

To ensure you have the latest
revision to this document, please visit: www.Siemon.com

