

VP2 SidePOD Instructions

HARDWARE:

26 -  T30 Torx Bolt

2 -  10mm Flange Nut

TOOLS REQUIRED:

Level



10mm Wrench



T30 Torx Driver



#2 Philips



SIEMON™

www.siemon.com

Safety Information

- Read and understand all instructions for proper installation and use of this product as improper use may lead to serious injury or death
- To remove the cabinet from the pallet for final placement, ensure the pallet is located on a level surface and remove the two (2) bolt-down brackets. Once removed, be sure the sufficient personnel to safely remove the cabinet from the pallet.



NOTE: These two (2) bolt-down brackets can also be used as stabilizing brackets once the cabinets are in their final position within the Telecommunications space.

- Obtain adequate assistance to stabilize the cabinet during movement. Do not attempt to move large cabinets with a single person. All equipment must be unloaded from the cabinet prior to movement.
- "Temporary Transport"
Optional castors are available for relocation of the cabinets. While castors are capable of supporting a fully loaded cabinet, they should only be used to move the cabinet between locations. When relocating cabinets using castors, they must be moved with extreme care as they may tip if they experience sudden stops, excessive force, or travel over irregular surfaces. It is recommended to move the cabinet using the front or rear of the cabinet as the leading edge – do not push on the sides. Once in place, the leveling feet (and bolt-down brackets) shall be fully deployed to offer maximum stability.
- A standalone cabinet should be leveled, stable and anchored to the floor. Two or more cabinets can be bayed together (coupled) to enhance their stability. Each cabinet should be anchored to the floor.
- Before loading equipment in the cabinet, be sure to adjust the leveling feet to level the cabinet. Do not use castors to stabilize the cabinet, always anchor the cabinet frame to the floor.
- Always load the cabinet such that the heaviest equipment (e.g. UPS Units, large enterprise switches) is located at the lowest point in the cabinet and add lighter equipment on higher levels. This will serve to further reduce the potential risk of cabinets tipping over. Utilize the bolt-down brackets will also help in this regard. The same consideration should be taken when and if shelving is deployed within the cabinet – especially when using sliding shelves – as loads placed on them destabilize the cabinet when extended from within the confines of the cabinet.
- The maximum load capacity of the cabinet should not exceed 907kg (2000lbs)
- The maximum anticipated ambient temperature inside a fully loaded cabinet system is (10°C – 60°C)
- The enclosure cabinets are intended to be installed in accordance with all applicable requirements of the National Electrical Code (NEC) and the local Authority Having Jurisdiction (AHJ).
- The minimum spacings between the accessories and components and the enclosure cabinet shall be maintained for safe operation of the equipment when installed in accordance with the NEC.
- The V600 cabinet can support many equipment configurations. The amount of force required to tip or destabilize the cabinet differs with each configuration. Be sure to read and follow your equipment manufacturer's specific assembly and safety instructions.
- When servicing slide mounted equipment (e.g. – servers, KVM devices), secure all equipment, other than the unit being serviced, in position to prevent them from inadvertently sliding out and destabilizing the cabinet. Also, be sure to extend only one sliding unit at a time as the extension of multiple units may result in the cabinet tipping over. When extending sliding units, do so very slowly as quick extension of these units can also cause the cabinet to tip over.

Safety Information Continued



- For protection of the equipment and personnel, ground each cabinet individually as per applicable regional industry standards such as the Telecommunications Equipment Bonding Conductor (TEBC) or Signal Reference Grid (SRG). Each V600 cabinet comes equipped with multiple bonding locations as well as a door bonding kit that consists of a (#10AWG Wire) and associated mounting hardware.



- As with any grounding and bonding concerns, the local Authority Having Jurisdiction (AHJ) has the final approval as to what is considered compliant for a specific application.

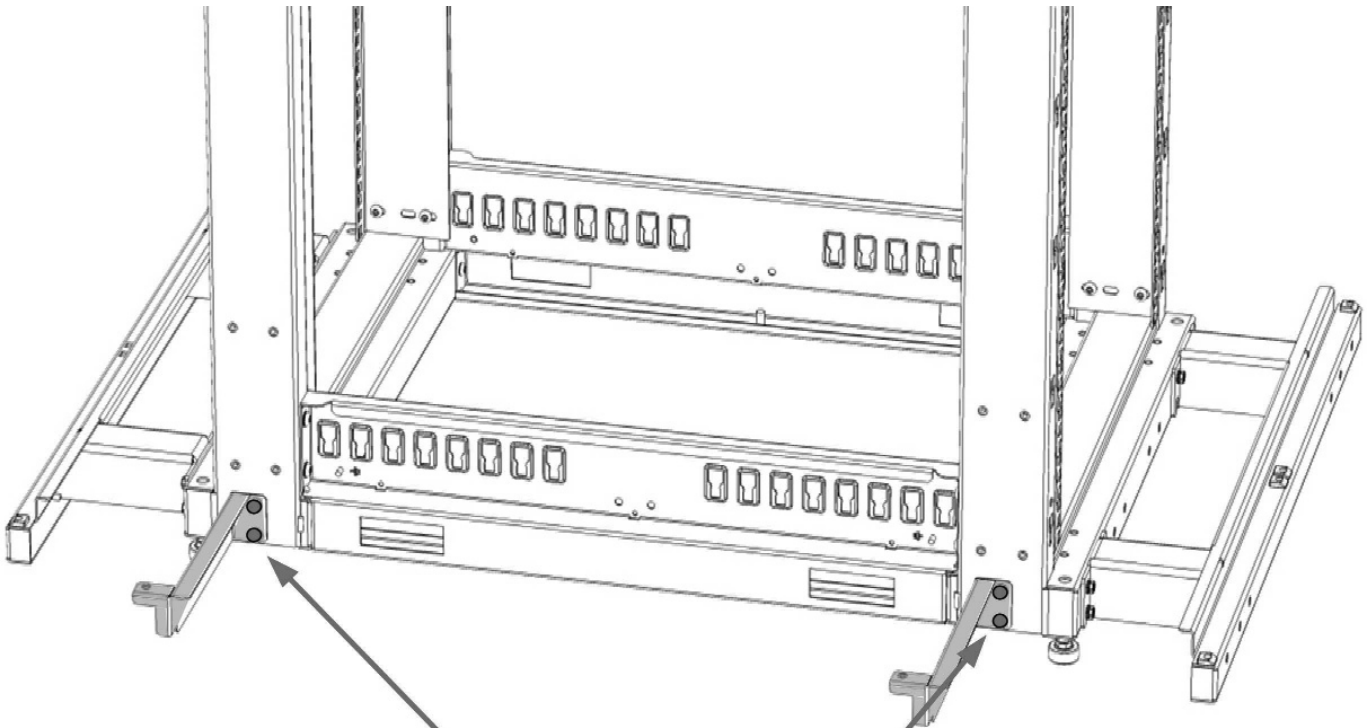
NOTE: Cabinet bonding locations can further augmented with the addition of a grounding bus bar such as Siemon's VersaPOD grounding kit (p/n VP-GRD) which offers ANSI-J-STD-607-A compliant tap point for grounding and bonding of the cabinet as well as any equipment installed within the cabinet.

CAUTIONS:

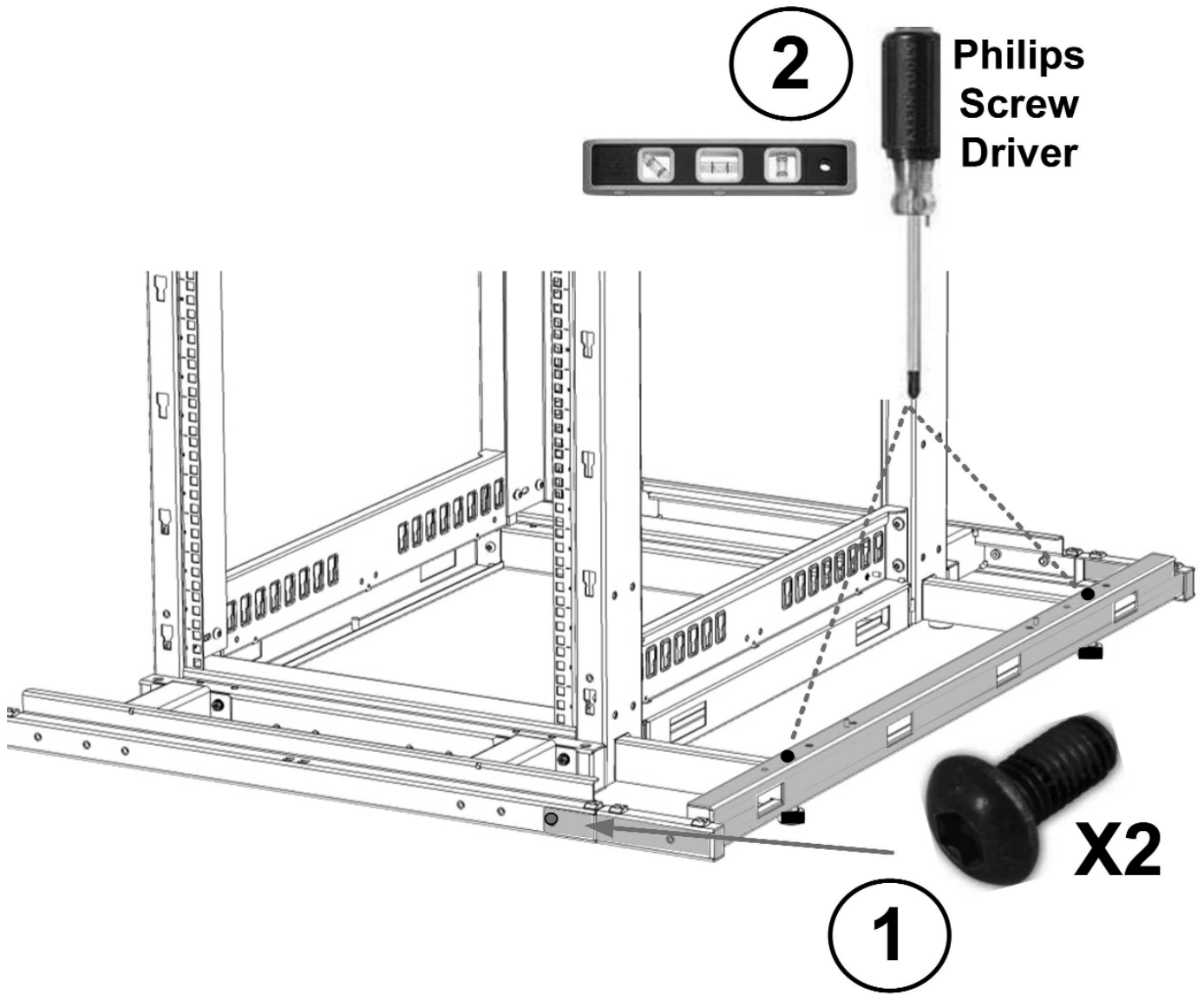
- When removing side panels from the cabinets, be aware that they are very large and extra care should be taken when handling to avoid personal injury or damage to the panel.
- When remounting side panels, be sure that the panels are inserted into the proper position of the lower side panel support and that the locking clips located at the top of the upper panel are fully engaged. See Page 12 for Side Panel Instructions.
- Proper management of cables plays an important role in helping to reduce obstruction of proper air flow within cabinets. Cables should be managed in a manner that prevents them from encroaching upon any horizontal equipment mounting spaces. Such spaces should remain as open as possible to maximize front to back air flow within the cabinet.

NOTE: Component Servicing – Defective units should be repaired by personnel trained by the manufacturer or returned to the manufacturer for repair or replacement.

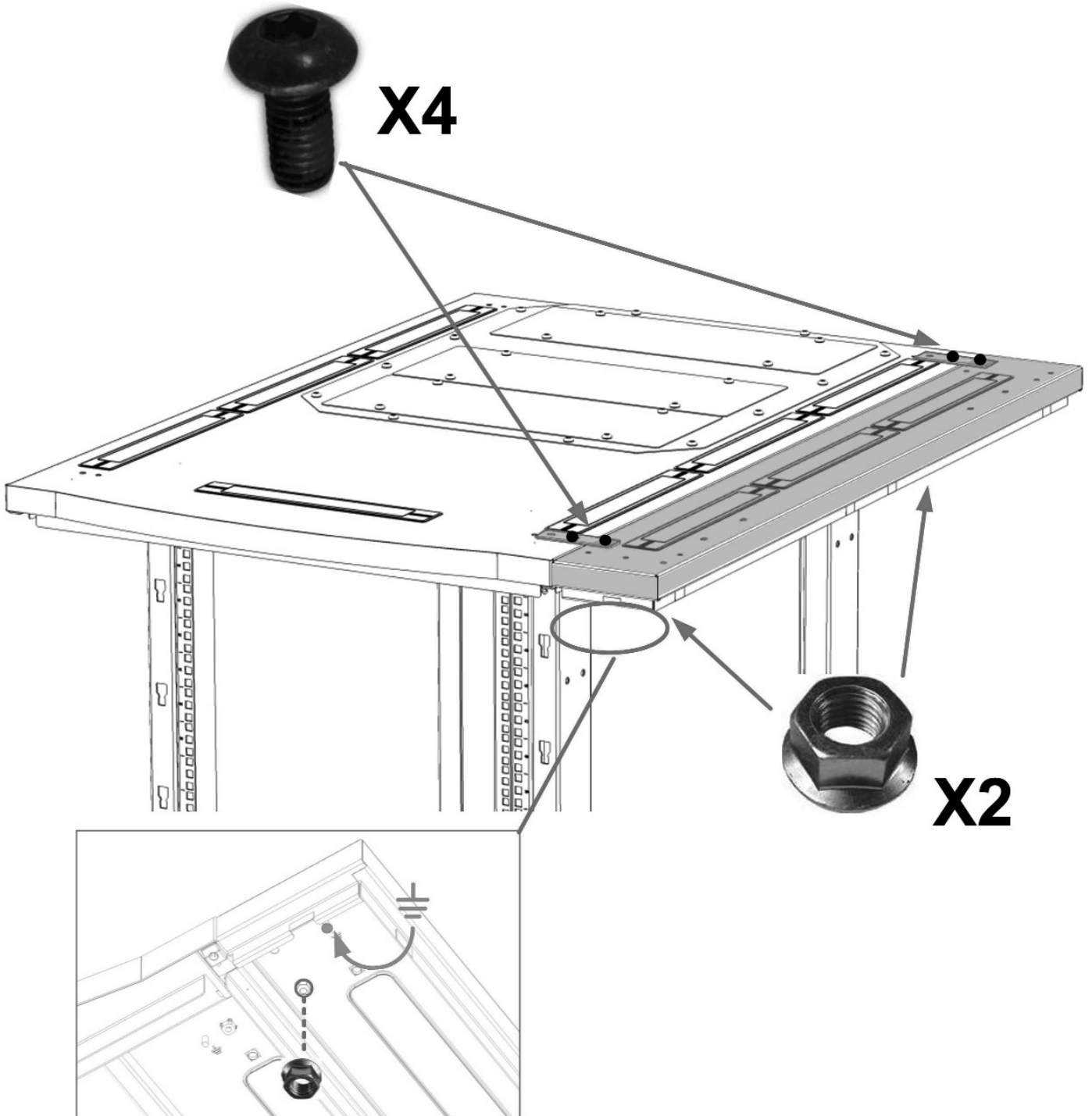
STEP #1



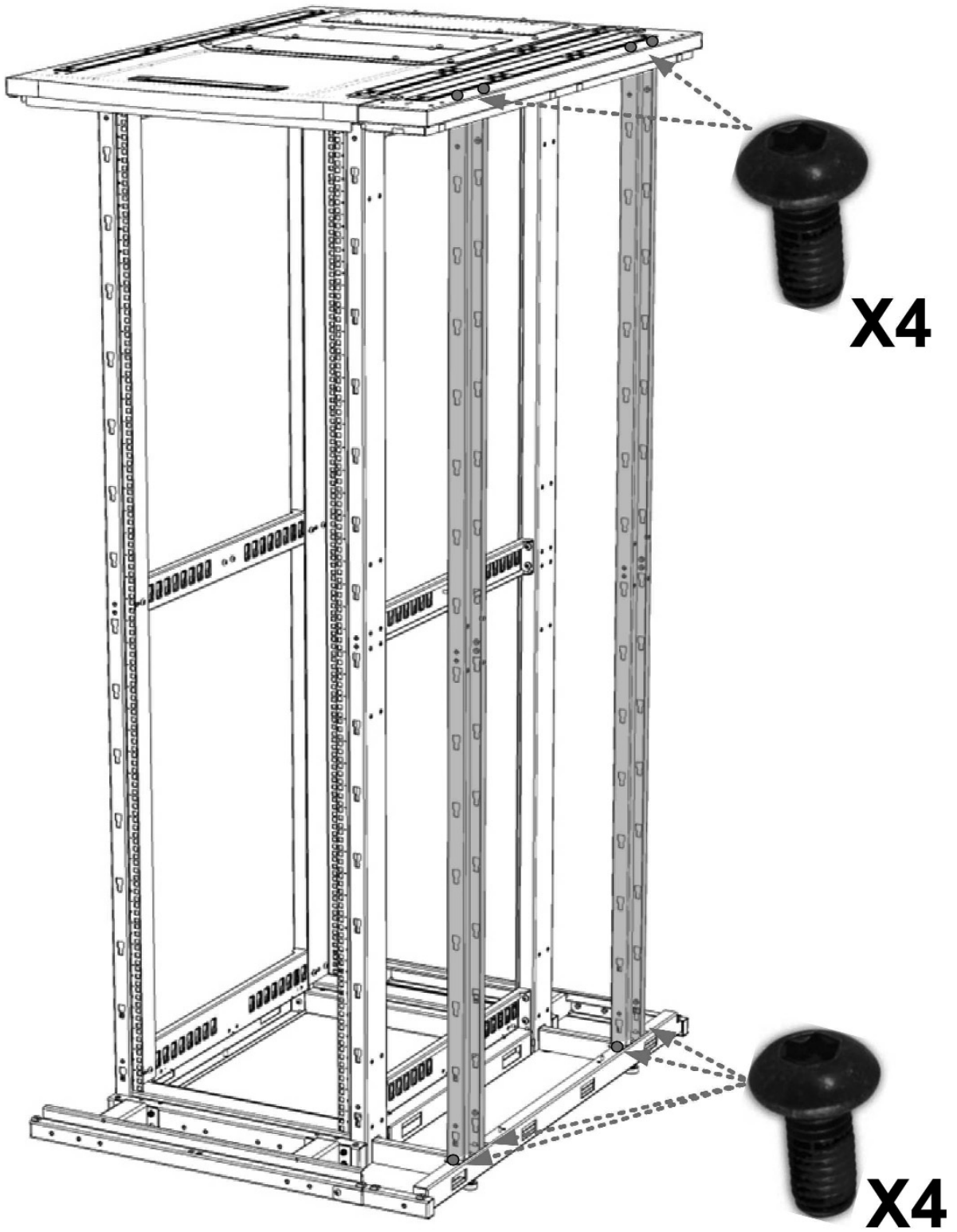
STEP #2



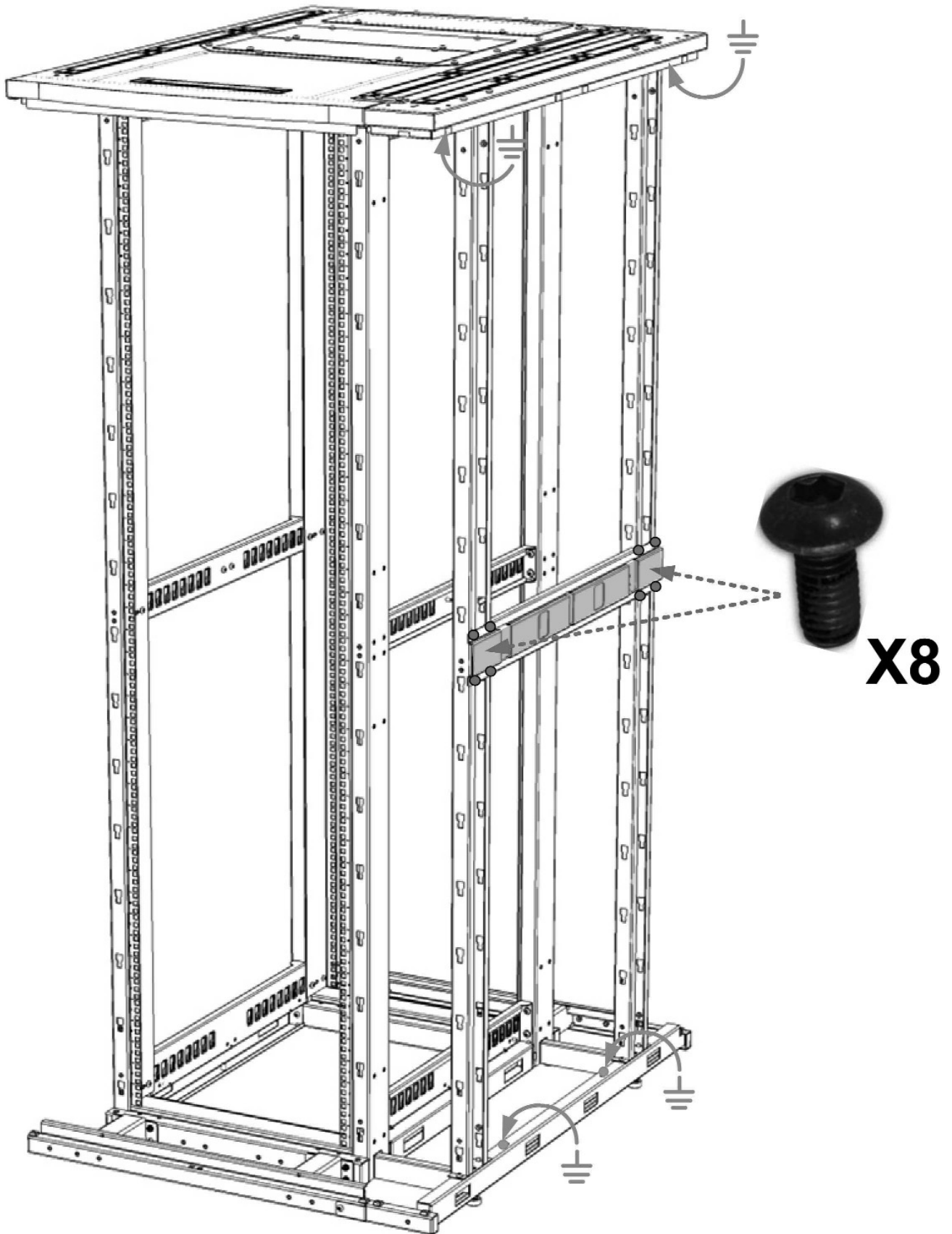
STEP #3



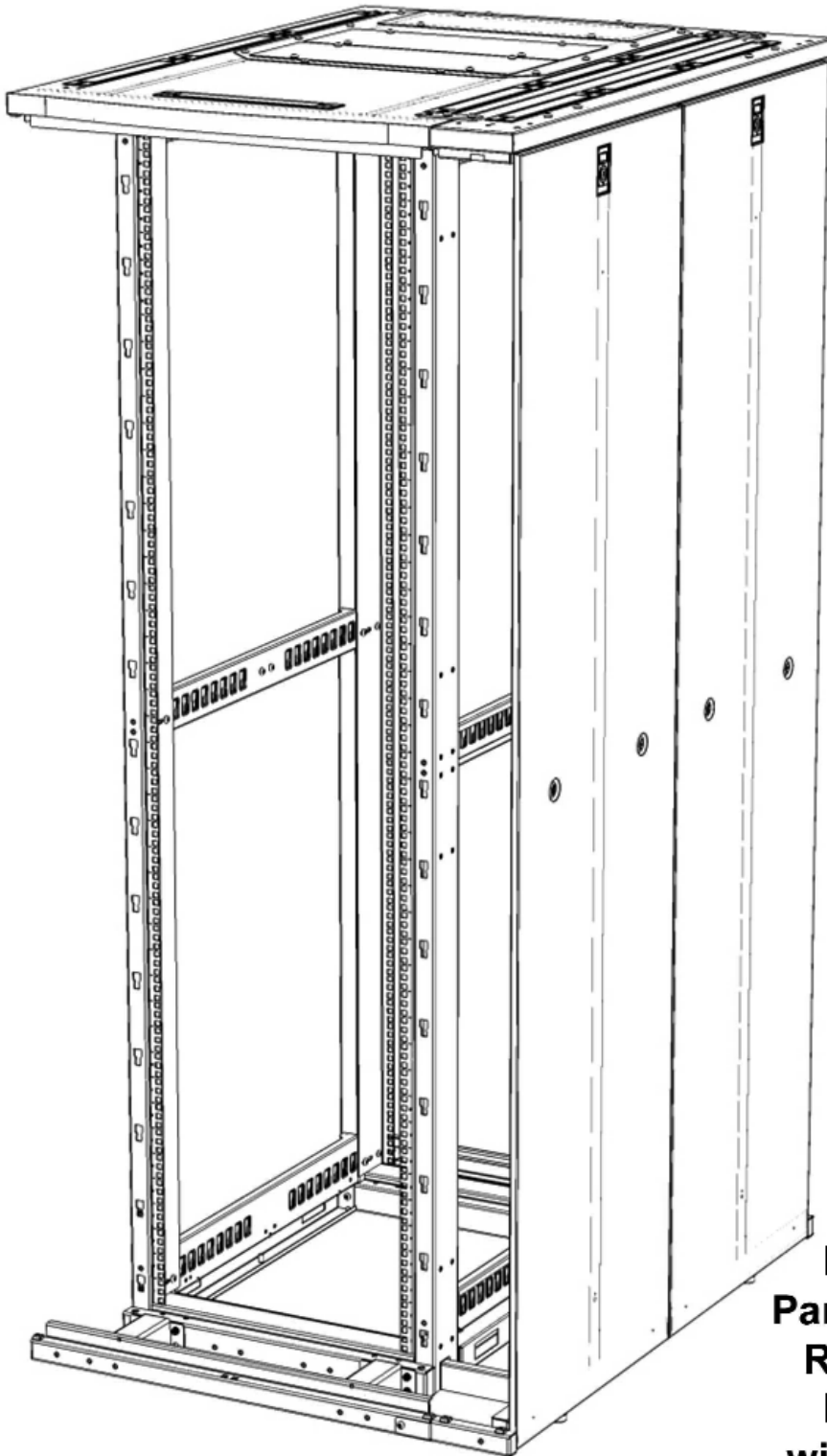
STEP #4



STEP #5

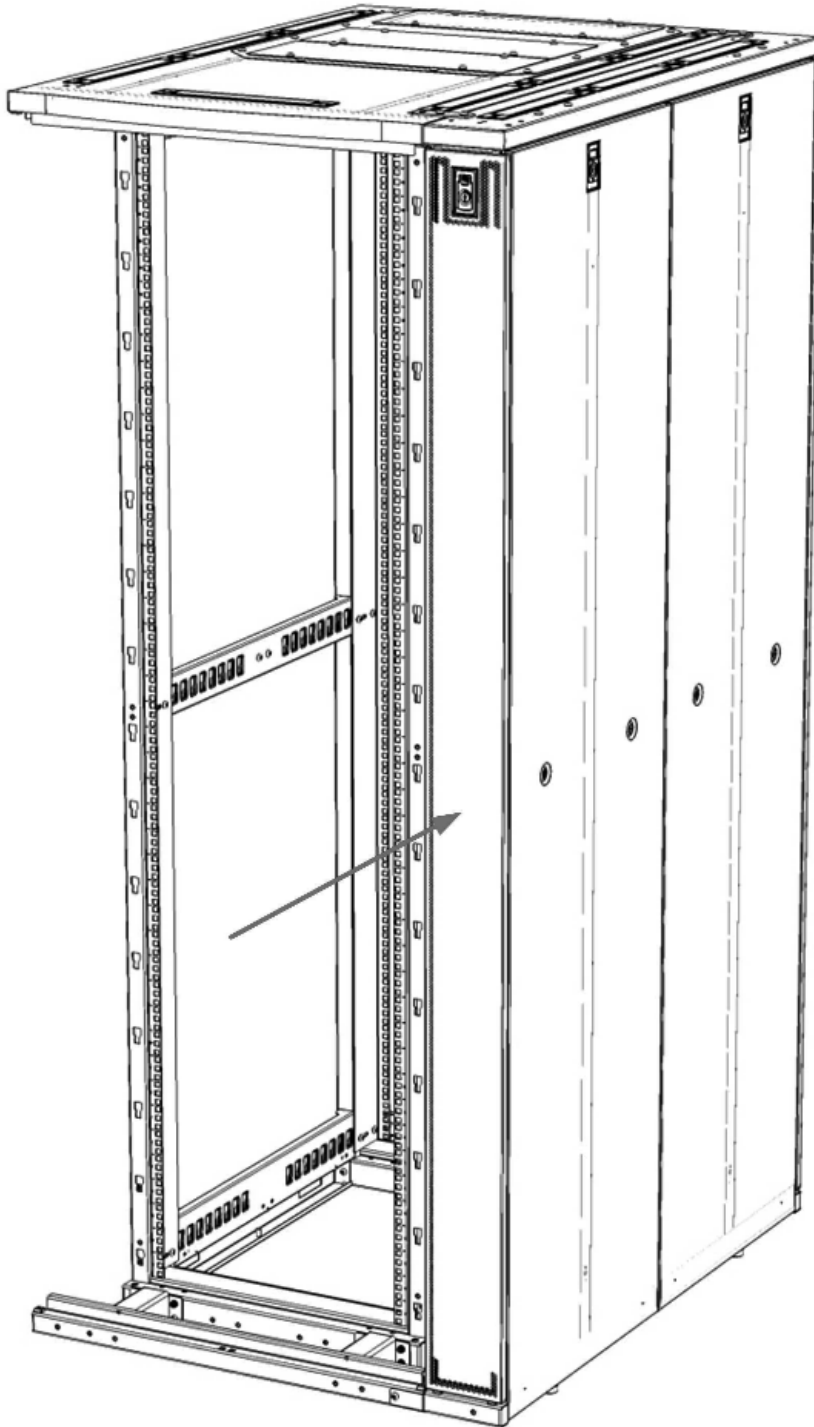


STEP #6



**Reinstall Side
Panels (if required)
Reconnect Side
Panel Ground
wires to SidePOD
Frame**

STEP #7



Install Front/Rear
Doors

