

VersaPOD™ Installation Instructions



Table of Contents

Safety Information.....	3 - 4
VP1B Diagram.....	5
VP2B Diagram.....	6
VersaPOD Options.....	7
Leveling.....	8
Baying Instructions.....	9
Door Installation/Removal.....	10
Side Panel Installation/Removal.....	11
Equipment Rail Adjustment.....	12
Cabinet Bonding.....	13
Large Brush Guard Installation VP-T3.....	14
Fan Kit Installation.....	15
Castor Wheel Installation.....	16
Shelving Instructions.....	17
Tumbler Lock Instructions.....	18



WARNING: Failure to follow this information can result in injury or death



CAUTION: Failure to follow this information can lead to possible equipment damage.



NOTE: *Clarifying information or comment*

Safety Information

WARNINGS



- Read and understand all instructions for proper installation and use of this product as improper use may lead to serious injury or death

- To remove the cabinet from the pallet for final placement, ensure the pallet is located on a level surface and remove the four (4) bolt-down brackets. Once removed, be sure the sufficient personnel to safely remove the cabinet from the pallet.



NOTE: These four (4) bolt-down brackets can also be used as stabilizing brackets once the cabinets are in their final position within the Telecommunications space.

- Obtain adequate assistance to stabilize the cabinet during movement. Do not attempt to move large cabinets with a single person. All equipment must be unloaded from the cabinet prior to movement.

- “Temporary Transport”

Optional castors are available for relocation of the cabinets. While castors are capable of supporting a fully loaded cabinet, they should only be used to move the cabinet between locations. When relocating cabinets using castors, they must be moved with extreme care as they may tip if they experience sudden stops, excessive force, or travel over irregular surfaces. It is recommended to move the cabinet using the front or rear of the cabinet as the leading edge – do not push on the sides. Once in place, the leveling feet (and bolt-down brackets) shall be fully deployed to offer maximum stability.

- A standalone cabinet should be leveled, stable and anchored to the floor. Two or more cabinets can be bayed together (coupled) to enhance their stability. Each cabinet should be anchored to the floor.

- Before loading equipment in the cabinet, be sure to adjust the leveling feet to level the cabinet. Do not use castors to stabilize the cabinet, always anchor the cabinet frame to the floor.

- Always load the cabinet such that the heaviest equipment (e.g. UPS Units, large enterprise switches) is located at the lowest point in the cabinet and add lighter equipment on higher levels. This will serve to further reduce the potential risk of cabinets tipping over. Utilize the bolt-down brackets will also help in this regard. The same consideration should be taken when and if shelving is deployed within the cabinet – especially when using sliding shelves – as loads placed on them destabilize the cabinet when extended from within the confines of the cabinet.

- The maximum load capacity of the cabinet should not exceed 1000kg (2200lbs)

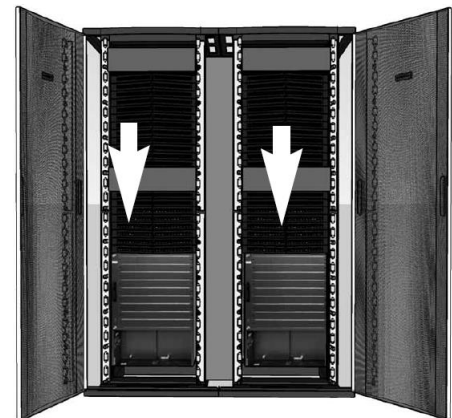
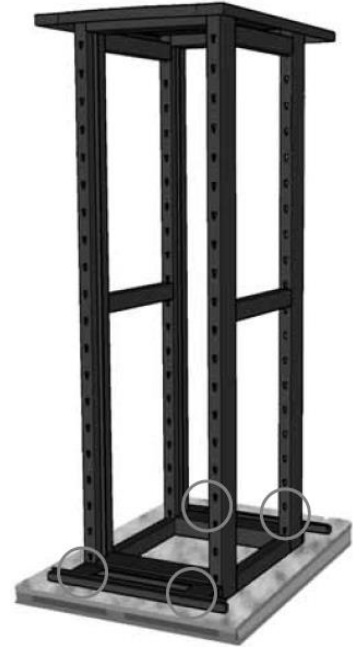
- The maximum anticipated ambient temperature inside a fully loaded cabinet system is (10°C – 60°C)

- The cabinets are intended to be installed in accordance with all applicable requirements of the National Electrical Code (NEC) and the local Authority Having Jurisdiction (AHJ).

- The minimum spacings between the accessories and components and the enclosure cabinet shall be maintained for safe operation of the equipment when installed in accordance with the NEC.

- The VersaPOD cabinet can support many equipment configurations. The amount of force required to tip or destabilize the cabinet differs with each configuration. Be sure to read and follow your equipment manufacturer’s specific assembly and safety instructions.

- When servicing slide mounted equipment (e.g. – servers, KVM devices), secure all equipment, other than the unit being serviced, in position to prevent them from inadvertently sliding out and destabilizing the cabinet. Also, be sure to extend only one sliding unit at a time as the extension of multiple units may result in the cabinet tipping over. When extending sliding units, do so very slowly as quick extension of these units can also cause the cabinet to tip over.



Safety Information Continued



- For protection of the equipment and personnel, ground each cabinet individually as per applicable regional industry standards such as the Telecommunications Equipment Bonding Conductor (TEBC) or Signal Reference Grid (SRG). Each VersaPOD cabinet comes equipped with multiple bonding locations.

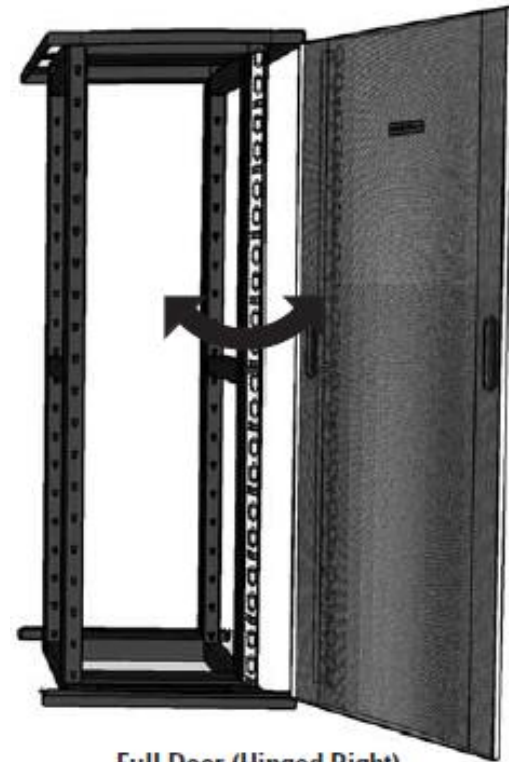


- As with any grounding and bonding concerns, the local Authority Having Jurisdiction (AHJ) has the final approval as to what is considered compliant for a specific application.

NOTE: Cabinet bonding locations can further augmented with the addition of a grounding bus bar such as Simon's VersaPOD grounding kit (p/n VP-GRD) which offers ANSI-J-STD-607-A compliant tap point for grounding and bonding of the cabinet as well as any equipment installed within the cabinet.

CAUTIONS:

- Both the front and the rear doors of the VersaPOD cabinet offer the unique ability to hinge open from either the left or right. This is achieved by turning the associated handle inwards. When both handles are exercised at the same time, the door is released from the cabinet. While this facilitates easy removal of the doors, it can also result in damage to the doors if precautions are not taken. Be sure to always check the status of one handle prior to operating the other and handle the doors securely during removal.
- When remounting the doors, be sure to properly align and reinsert the hinge pins in the applicable door grommet. If the hinge pins are not inserted properly, the door could fall off the next time it is opened.
- When removing side panels from the cabinet, be aware that they are large and extra care should be taken when handling to avoid personal injury or damage to the panel
- When remounting side panels, be sure that the panels are inserted into the proper rectangular openings of the lower side panel support brackets and that the locking clips located at the top of the panels are fully engaged. (see page 11) for side panel installation information.
- Proper management of cables plays an important role in helping to reduce obstruction of air flow within the cabinet. Cables should be managed behind patch panels in a manner that prevents them from encroaching upon any horizontal equipment mounting space. Such spaces should remain as open as possible to maximize front to back air flow within the cabinet.



Full Door (Hinged Right)

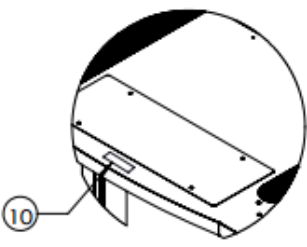
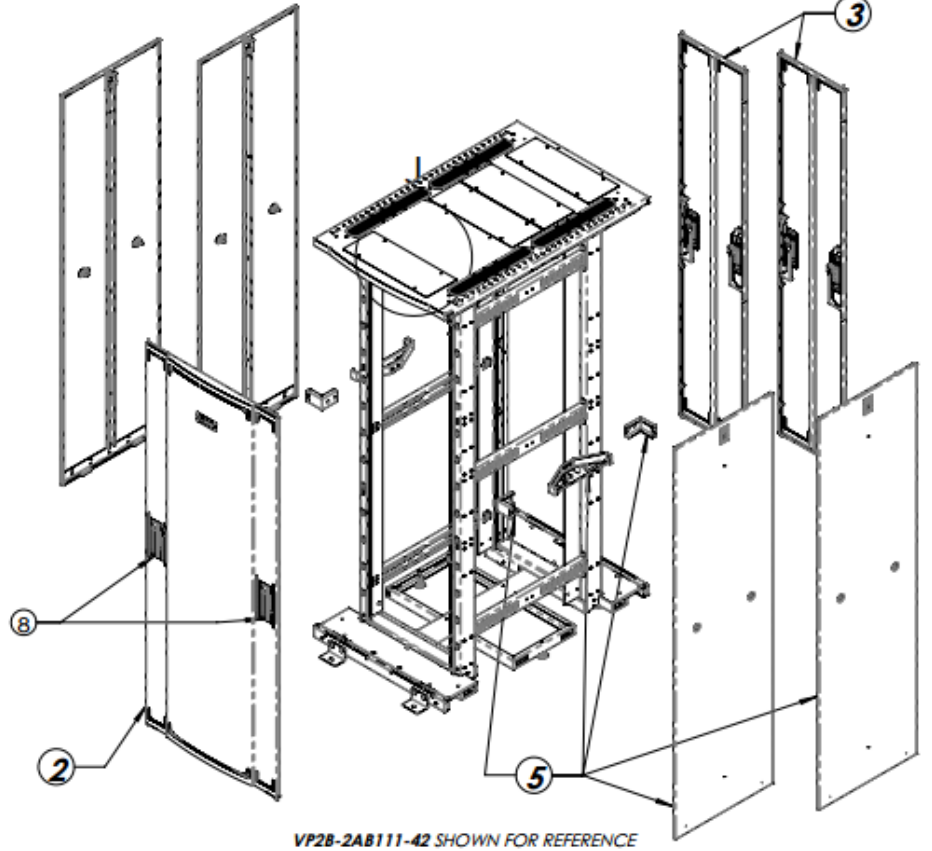
NOTE: Component Servicing – Defective units should be repaired by personnel trained by the manufacturer or returned to the manufacturer for repair or replacement.

VP2B DIAGRAM

ITEM	DESCRIPTION	QTY
1	FRAME KIT (762mm x 1000mm x 42U)	-
	FRAME KIT (762mm x 1000mm x 45U)	-
	FRAME KIT (762mm x 1200mm x 42U)	1
	FRAME KIT (762mm x 1200mm x 45U)	-
2	FULL DOOR (PERFORATED)	1
3	SPLIT DOOR (PERFORATED) KIT - INCLUDES TWO DOOR	1
4	SPLIT DOOR (SOLID) KIT - INCLUDES LH AND RH DOOR (NOT SHOWN)	-
5	SPLIT SIDE PANEL KIT	2
6	SCREW & CAGE NUT KIT (NOT SHOWN)	1
7	BOLT DOWN BRACKETS (NOT SHOWN)	4
8	KEYED LOCK DOOR HANDLES	6
9	TUMBLER LOCK DOOR HANDLES (NOT SHOWN)	-
10	PRODUCT LABEL	1
11	CASTOR WHEELS (NOT SHOWN)	4
12	EK101 KEYED LOCK DOOR HANDLES (NOT SHOWN)	4

VP2B-048111-42	VP2B-048111-42	VP2B-048111-42	VP2B-048111-42	VP2B-048111-42	BLACK
VP2B-048112-42	VP2B-048112-42	VP2B-048112-42	VP2B-048112-42	VP2B-048112-42	WHITE
VP2B-048114-42	VP2B-048114-42	VP2B-048114-42	VP2B-048114-42	VP2B-048114-42	GRAY

REVISIONS					
REV	TCN/ECO	DESCRIPTION	BY	DATE	APPROVED
A	5288	INITIAL RELEASE	BK	2017/04/26	MP 2017/04/26
B	5424	UPDATE MATRIX	BK	2017/11/22	MP 2017/11/22



DETAIL J
SCALE 1 : 10

FRONT DOOR
 0 = NONE
 A = FULL DOOR (VENTED)
 B = SPLIT DOOR (VENTED)
 C = SPLIT DOOR (SOLID)

DOOR LOCKS
 0 = NONE
 1 = KEY
 2 = TUMBLER
 3 = EK101 KEY

VP2B-(X)(X)(X)(X)(X)(X)-42

SIDE PANELS
 0 = NONE
 1 = 1 PAIR OF SIDE PANELS
 2 = 2 PAIRS OF SIDE PANELS

REAR DOOR
 0 = NONE
 A = FULL DOOR (VENTED)
 B = SPLIT DOOR (VENTED)
 C = SPLIT DOOR (SOLID)

CABINET COLOR
 1 = BLACK
 2 = WHITE
 4 = GRAY

CASTOR WHEELS
 1 = NONE
 2 = CASTOR WHEELS

SHOWN FOR REFERENCE

- NOTES:
- MATERIALS: CES OF VARYING THICKNESSES. FINISH: BLACK POWDER COAT, COLOR: RAL 7011, GRAPHITE BLACK; RAL 7035, SIGNAL WHITE; RAL 7038, LIGHT GRAY.
 - ALL ITEMS ARE PACKAGED TOGETHER. CONTACT A SIEMON CO. CUSTOMER SERVICE REPRESENTATIVE FOR ADDITIONAL INFORMATION.
 - ETL LISTED, CONFORMS TO UL STD 60750-1, CERTIFIED TO CSA STD C22.2 NO. 60750-1.
 - MAXIMUM LOAD RATING: STATIC 3,000KG, DYNAMIC 2,250KG.

PROPRIETARY INFORMATION THIS DOCUMENT CONTAINS PROPRIETARY INFORMATION OF THE SIEMON COMPANY AND IS DELIVERED ON THE EXPRESSED CONDITIONS THAT IT IS NOT TO BE DISCLOSED OR REPRODUCED IN WHOLE OR PART, OR USED FOR MANUFACTURING FOR ANYONE OTHER THAN THE SIEMON COMPANY WITHOUT ITS WRITTEN CONSENT AND THAT NO RIGHT IS GRANTED TO DISCLOSE OR SO USE ANY INFORMATION CONTAINED IN SAID DOCUMENT.	THE SIEMON COMPANY 101 SIEMON COMPANY DRIVE WATERTOWN, CT 06795 (860) 945-1200 www.siemon.com	TITLE VPOD CABINET 42U 1200 DEPTH	
	DRAWN BY: BENNY X DATE: 2017/11/22	DWG. SIZE: B	DWG. NO.: 9081256
	CHECKED BY: MICHAEL P DATE: 2017/11/22	PART NO.: VP2B-XXXXXX-42	REV.: B
	ENGINEER: BENNY X DATE: 2017/11/22	SCALE: 1:50	SHEET 1 OF 2

ANSI Y14.5M-1982 OR ISO 1101, 129 & 3040
 PRIMARY DIMENSIONS ARE MILLIMETERS
 DIMENSIONS IN BRACKETS () ARE INCHES
 DO NOT SCALE

CUSTOMER USE DRAWING

VersaPOD Options



Doors & Side Panels



Doors Only



No Doors or Side Panels

VP(X)B-(X)(X)(X)(X)(X)(X)-(XX)

Use 1st (X) to specify Cabinet Depth – 1 = 1000mm, 2 = 1200mm

Use 2nd (X) to specify Side Panels - 0 = No Side Panels, 1 = 1 Side Panel, 2 = 2 Side Panels

Use 3rd (X) to specify Front Door – A = Full Vented/Dual Handle, B = Split Vented/Dual Handles

Use 4th (X) to specify Rear Door – A = Full Vented/Dual Handle, B = Split Vented/Dual Handles, C = Split Solid/Dual Handle

Use 5th (X) to specify Lock – 1 = Keyed Lock, 2 = Tumbler Combination Lock

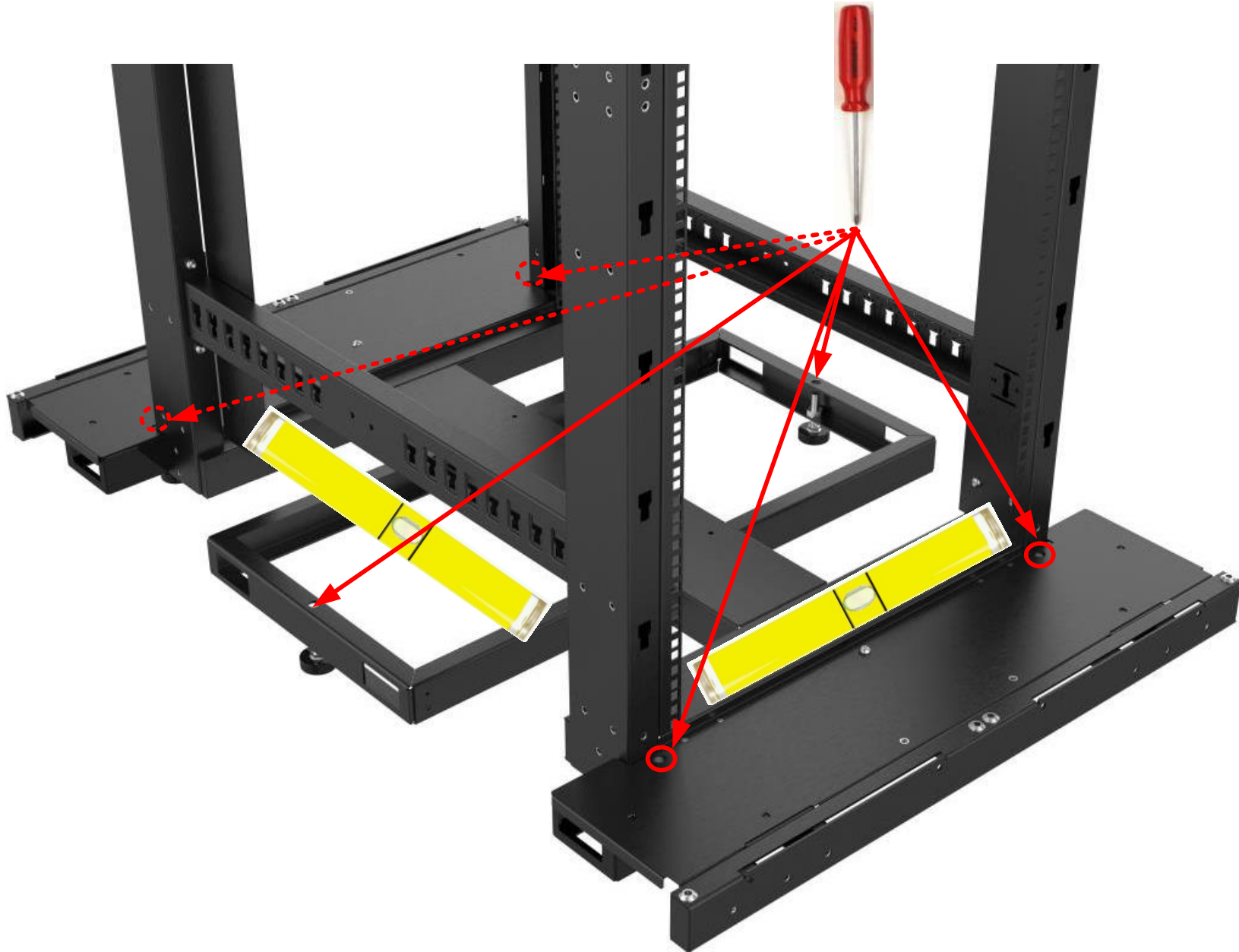
Use 6th (X) to specify Leveling feet or Castors – 1 = Leveling Feet, 2 = Leveling Feet & Castor Wheels

Use 7th (X) to specify Color – 1 = Black, 2 = White, 3 = Light Gray

Use 8th (XX) to specify the height of the cabinet – 42U, 45U

Leveling

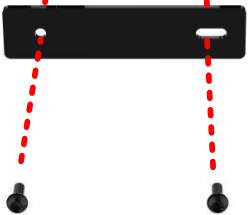
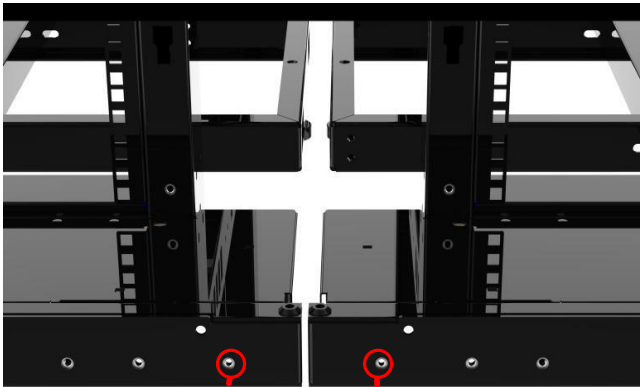
#2 Philips
Screw Driver



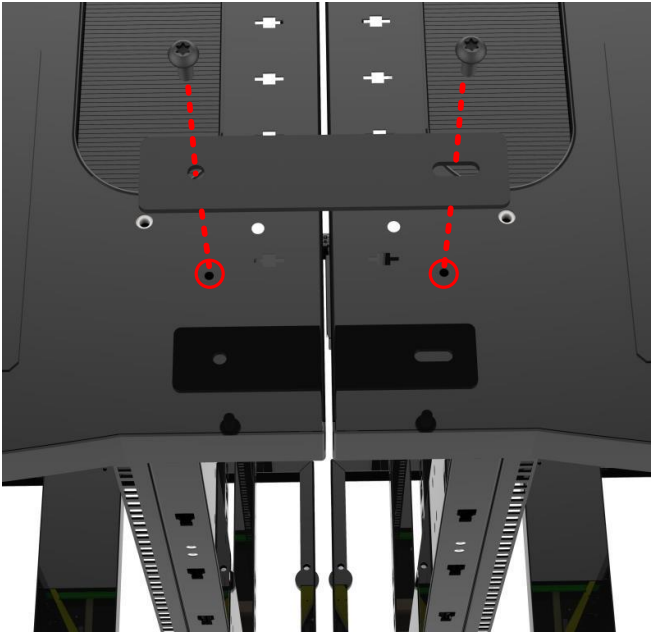
BAYING



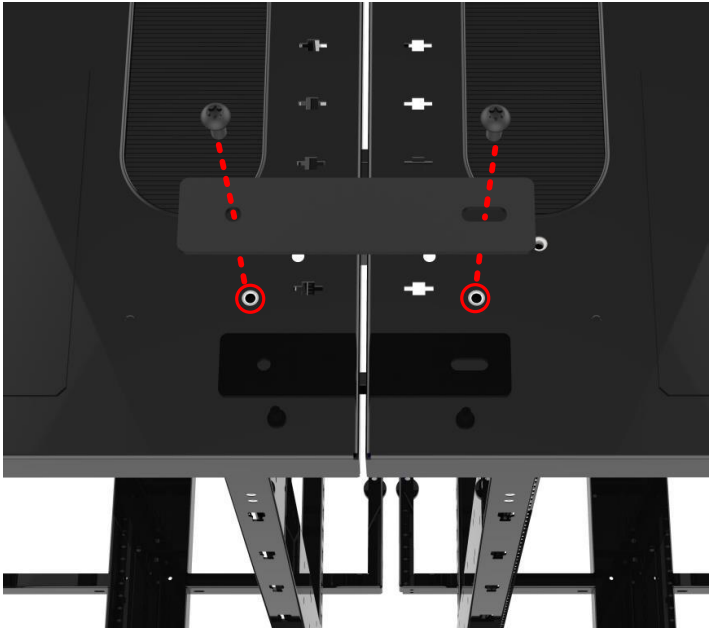
T30 Torx Driver



LOWER FRONT/REAR

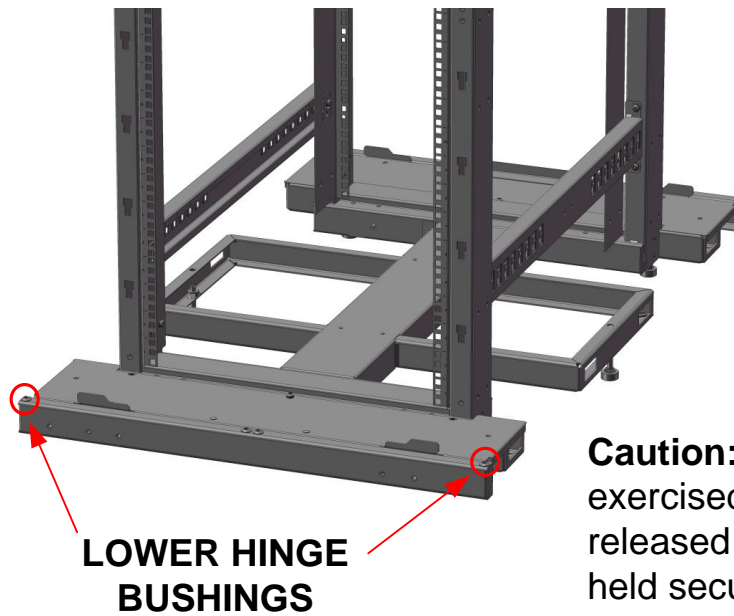
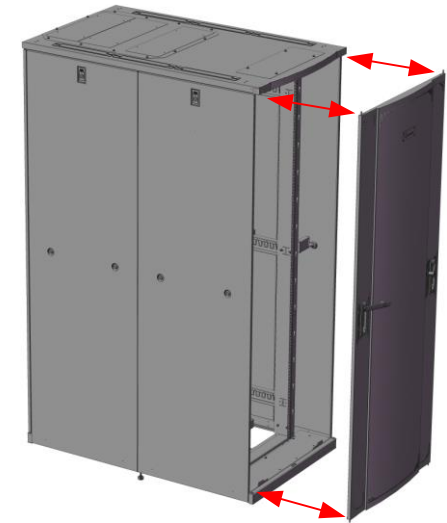
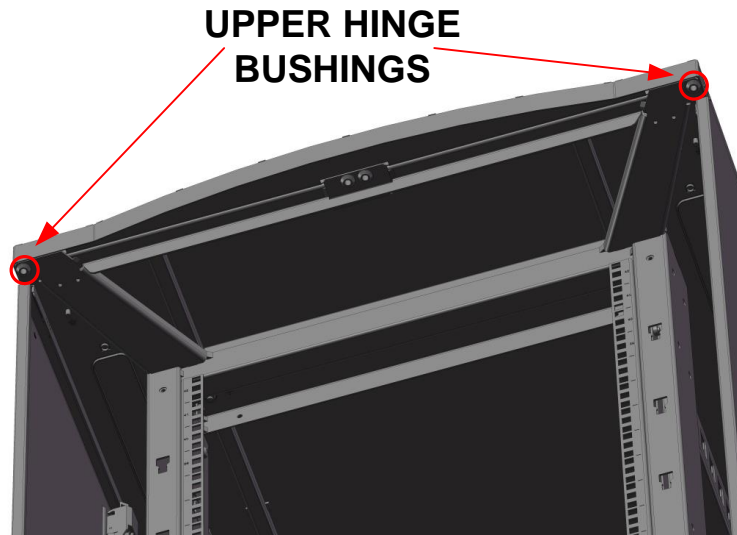


TOP FRONT



TOP REAR

DOOR INSTALLATION & REMOVAL

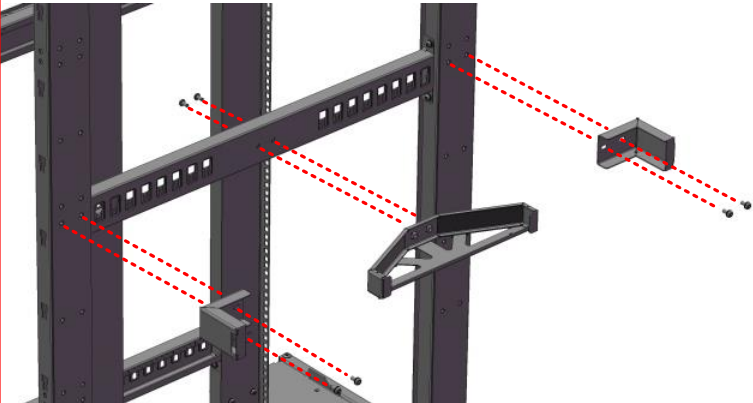


Caution: Be aware that once both handles are exercised at the same time, the door will be released from the cabinet and can fall if not held securely

SIDE PANEL INSTALLATION & REMOVAL

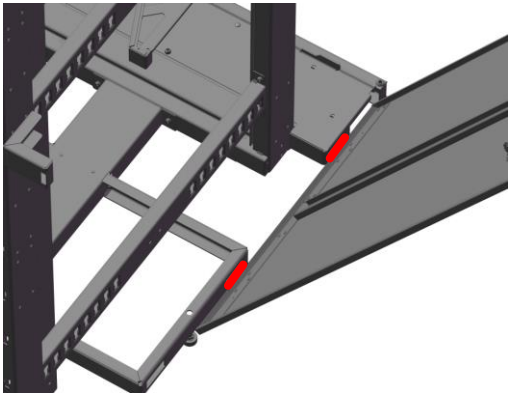


Mounting Brackets



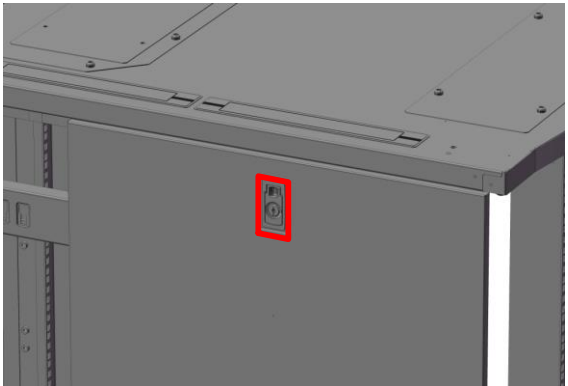
Install Step #1
Removal Step #4

Lower Side Panel Support



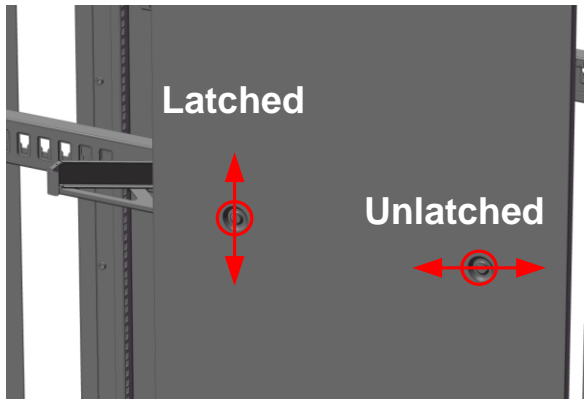
Install Step #2
Removal Step #3

Side Panel Locking Latch



Install Step #3
Removal Step #2

Side Panel 1/4 Turn Latches



Install Step #4
Removal Step #1

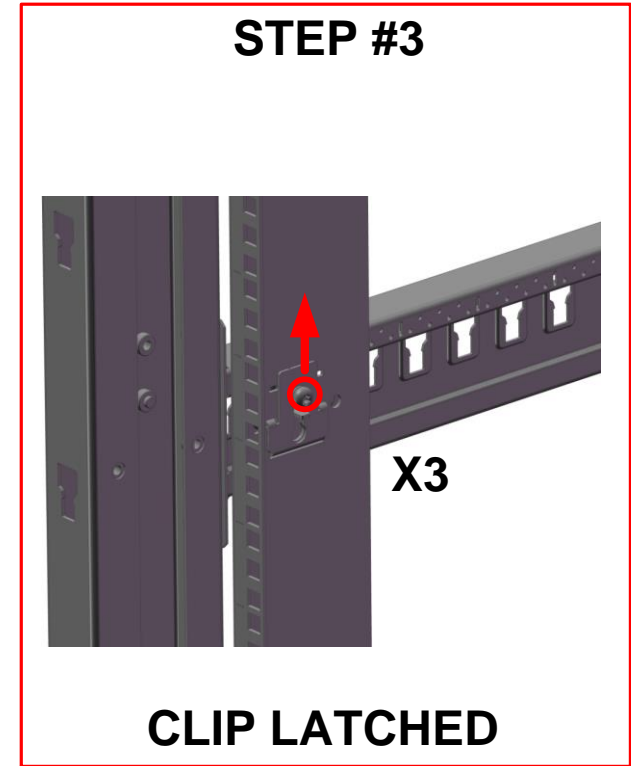
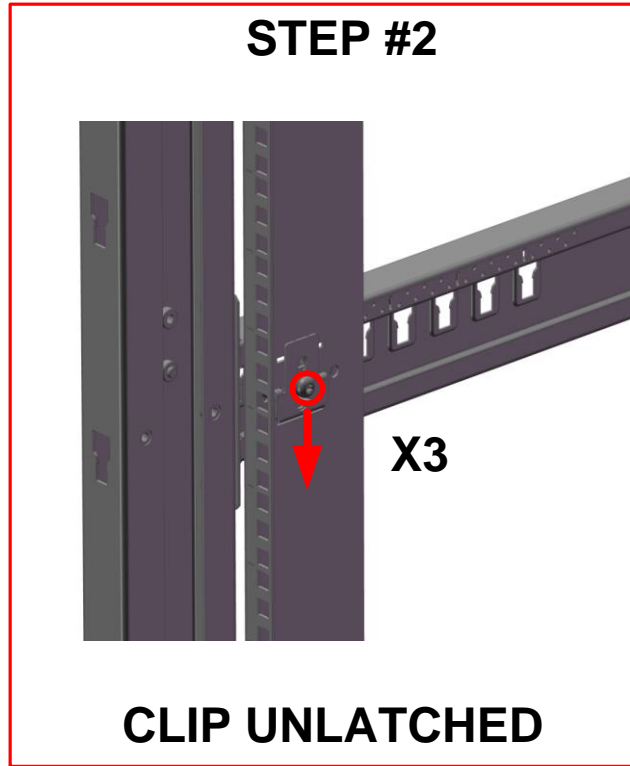
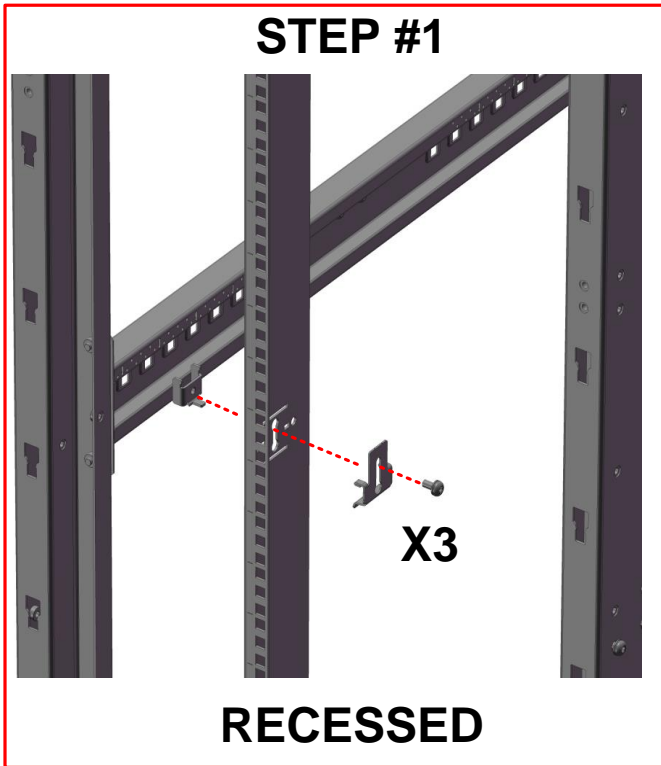
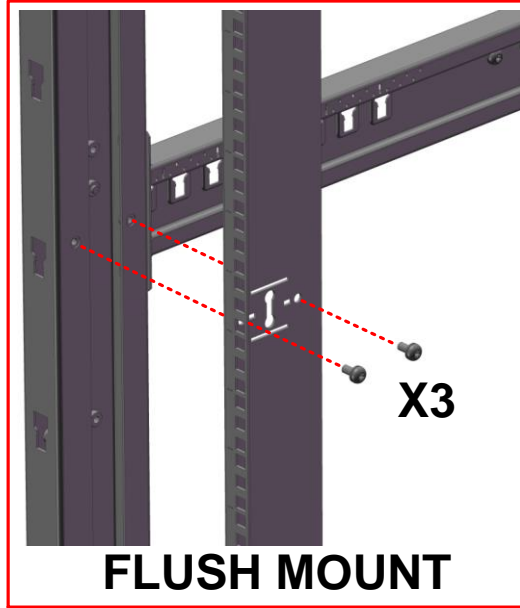
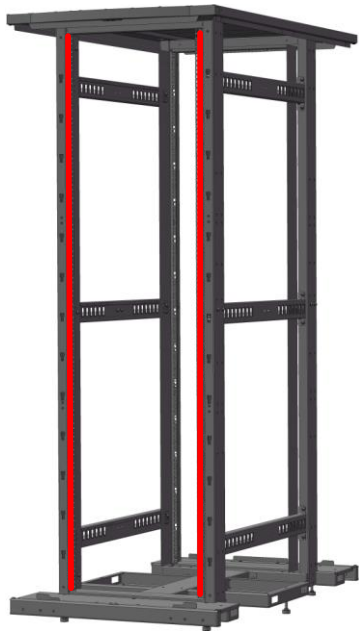
T30 Torx Driver



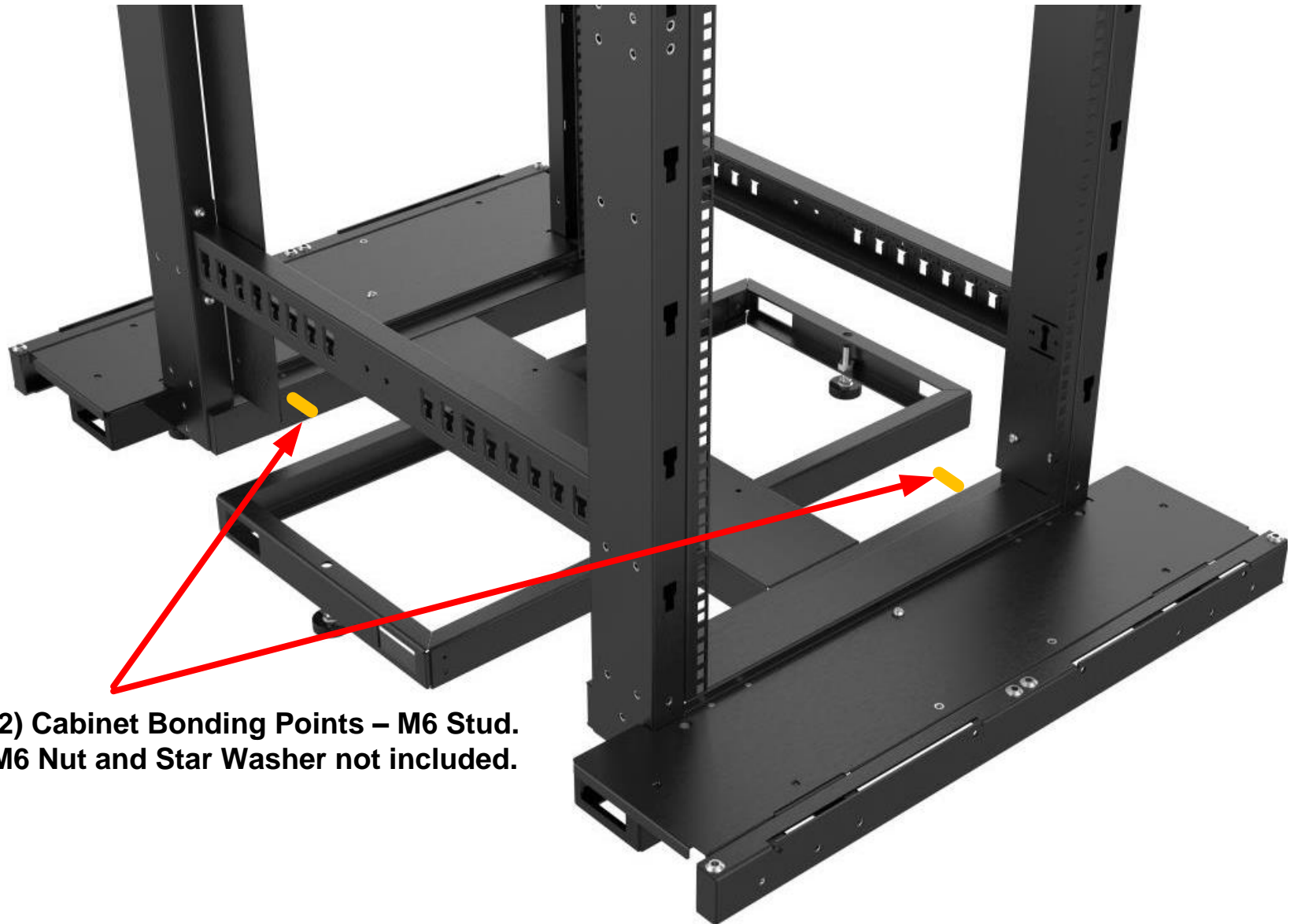
Flat Blade
Screw Driver



EQUIPMENT RAIL ADJUSTMENT



CABINET BONDING



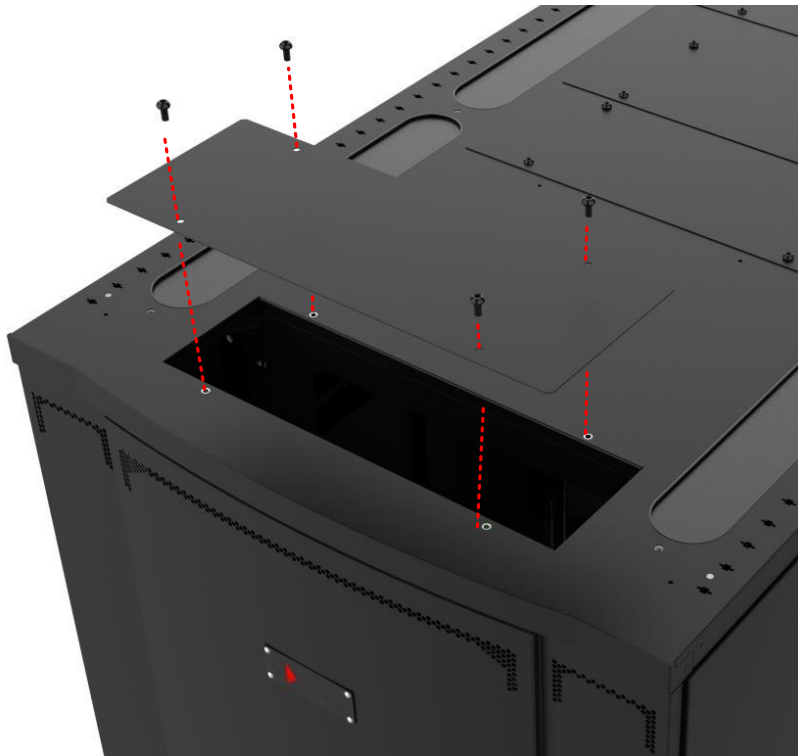
**(2) Cabinet Bonding Points – M6 Stud.
M6 Nut and Star Washer not included.**

LARGE BRUSH GUARD INSTALLATION (VP-T3)



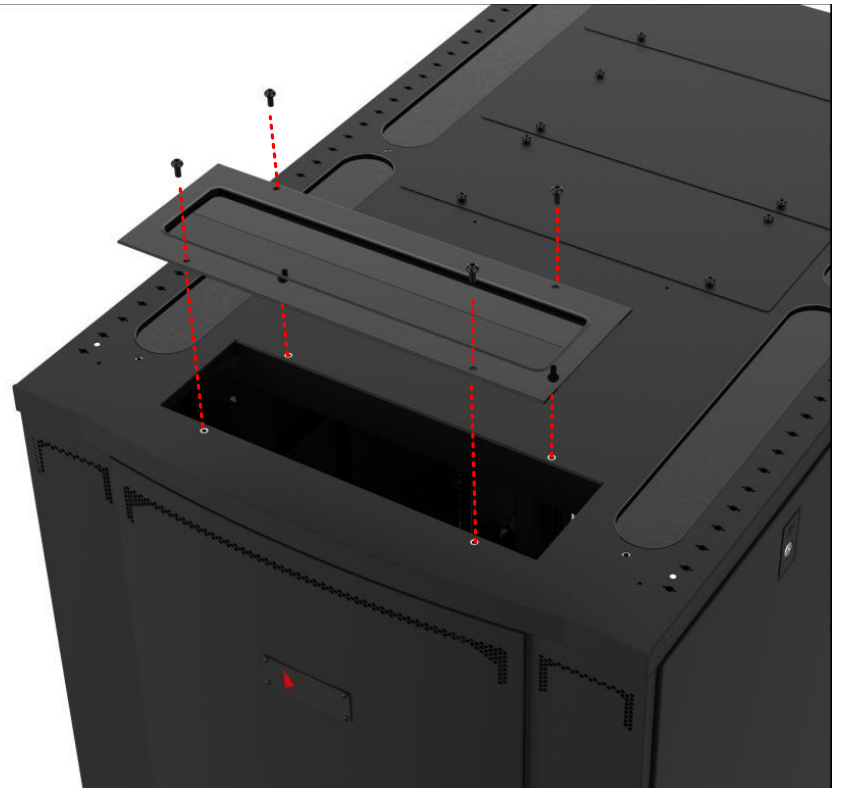
T30 Torx Driver

REMOVE STEEL BLANK



STEP #1

INSTALL BRUSH GUARD



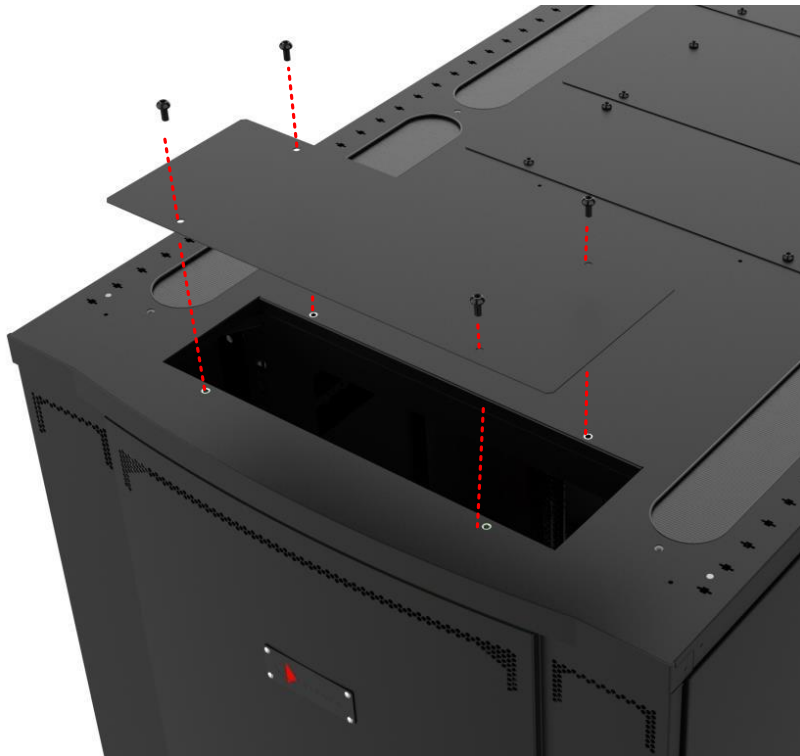
STEP #2

FAN KIT INSTALLATION



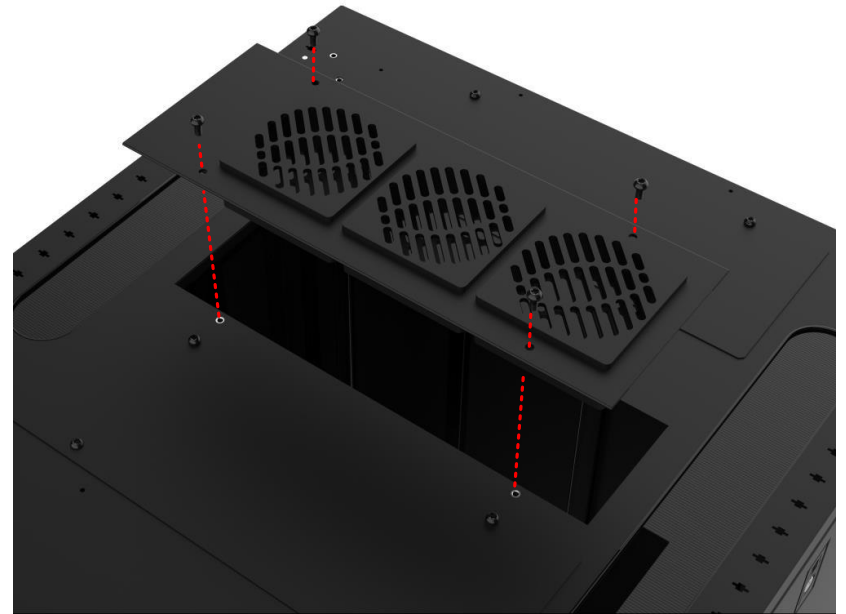
T30 Torx Driver

REMOVE STEEL BLANK



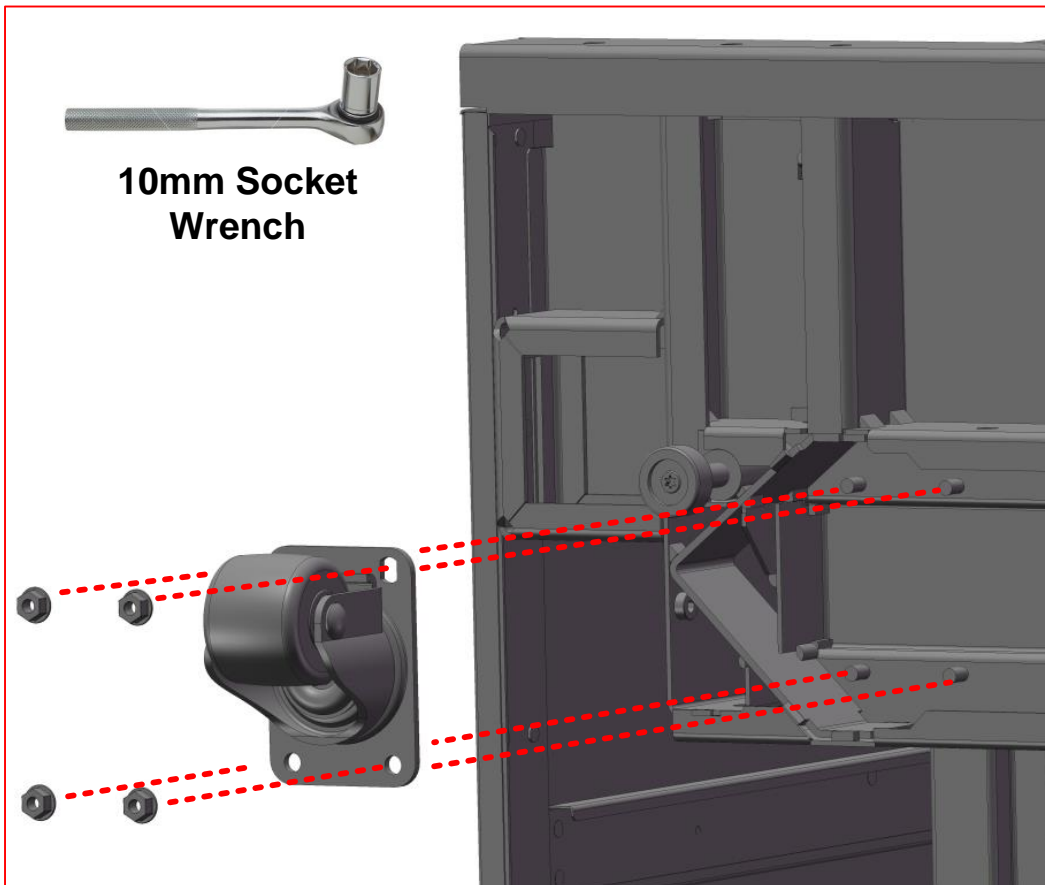
STEP #1

INSTALL FAN KIT

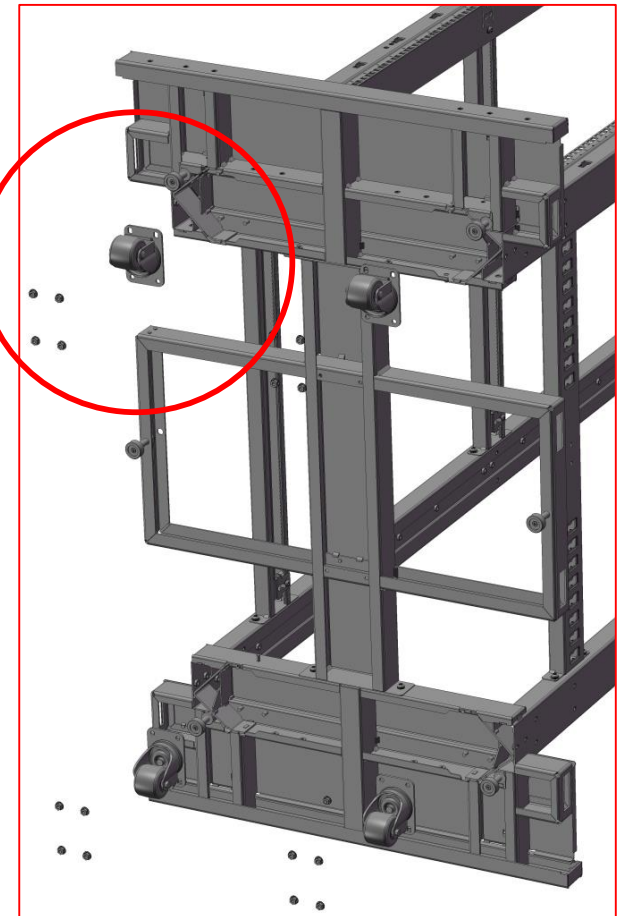


STEP #2

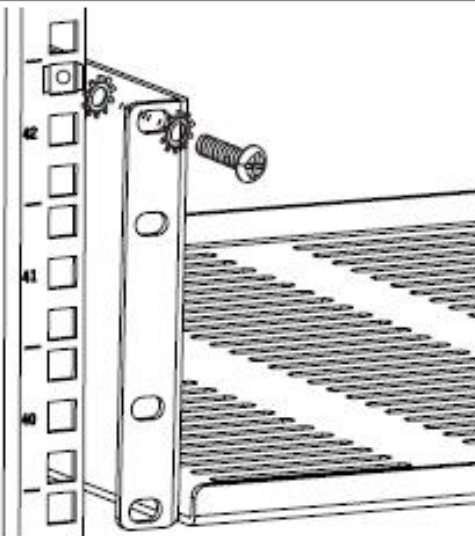
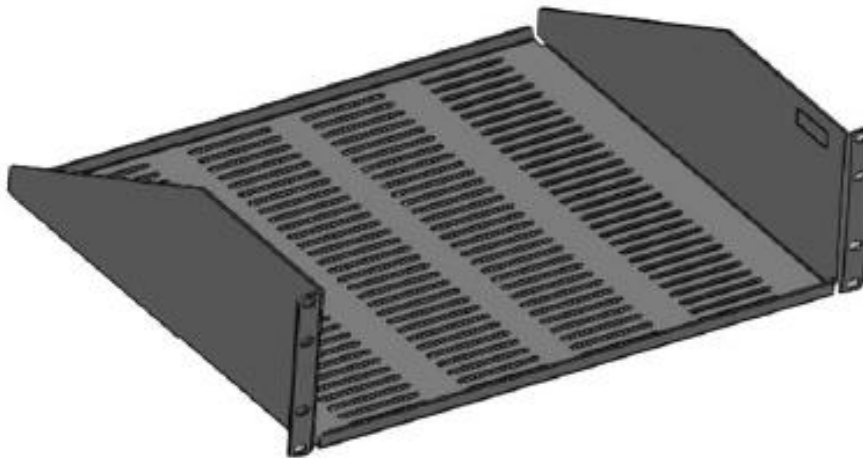
CASTOR WHEEL INSTALLATION



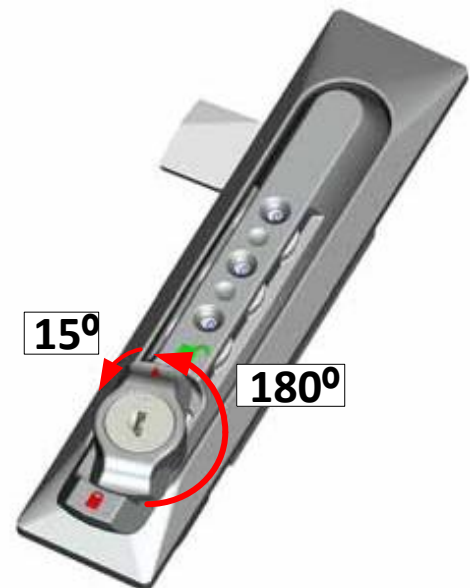
10mm Socket
Wrench



Accessory Shelves - Installation Instructions



1. Safety Warning - Maximum weight load - 34 kg (75lbs).
2. Each shelf is provided with two star washers and one grounding screw.
3. Place one star washer in between shelf and cabinet rail and other star washer between shelf and ground screw.
4. Securely fasten ground screw to cabinet rail.



Lock can be opened using supplied Key or by entering the proper 3-Digit Access Code

Setting the new Access Code:

- 1. Handle must be in the Locked Position**
- 2. Enter the current Access Code – (“000” if this is a new install)**
- 3. Turn “Wing Knob 180°**
- 4. Then turn knob an additional 15° Counter-Clockwise**
- 5. Enter new 3-Digit Code**
- 6. Turn “Wing Knob” 15° Clockwise. (New Access Code is now set)**
- 7. Turn “Wing Knob” 180° Clockwise and then scramble the combination to secure the door.**

**Factory Default Code –
“000”**

