

Triangular Baffle Mounting

Hardware

(6) M6 Allen Head Bolts

(2) M6 Shoulder Bolts

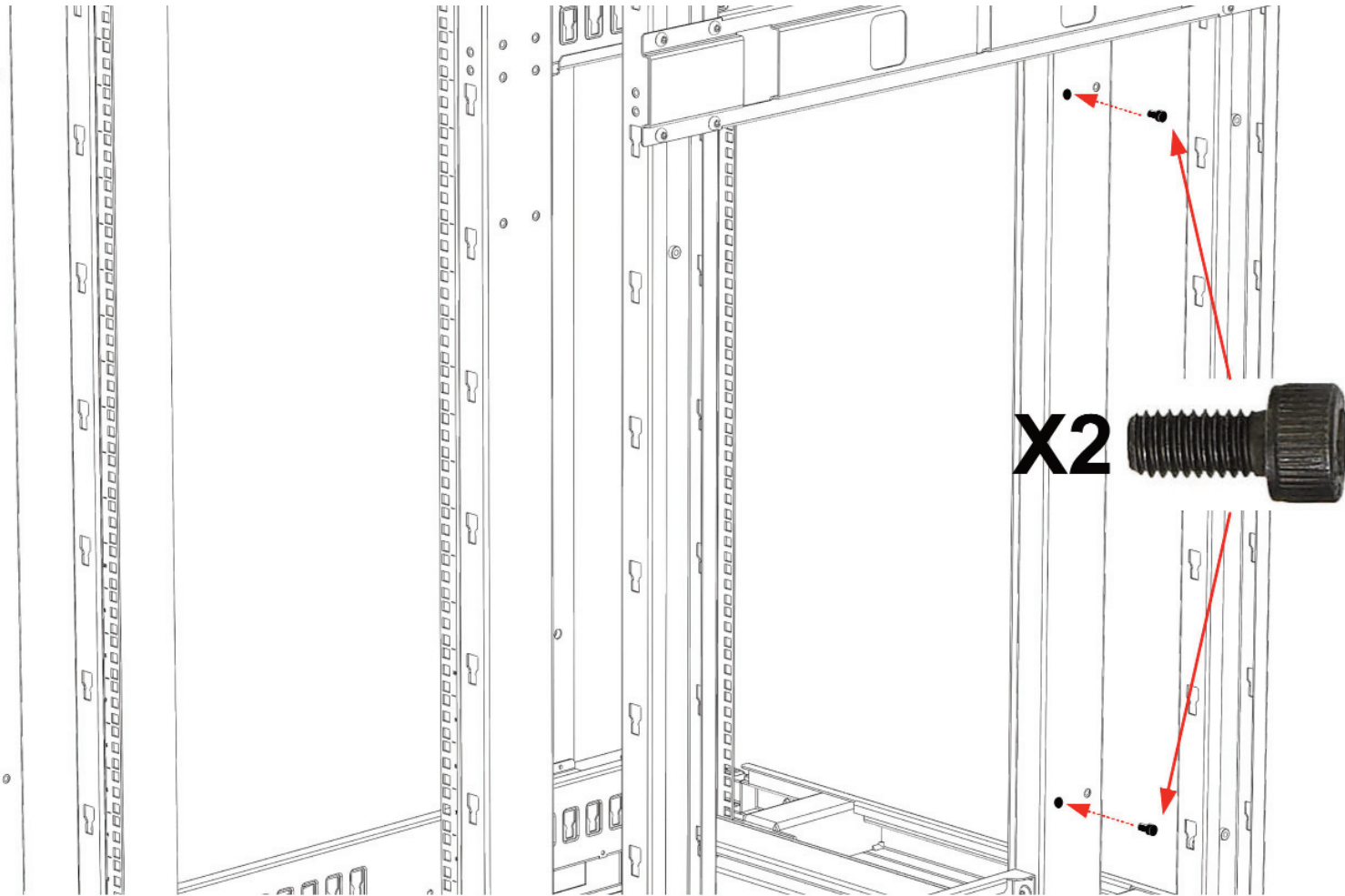


Tool Required:

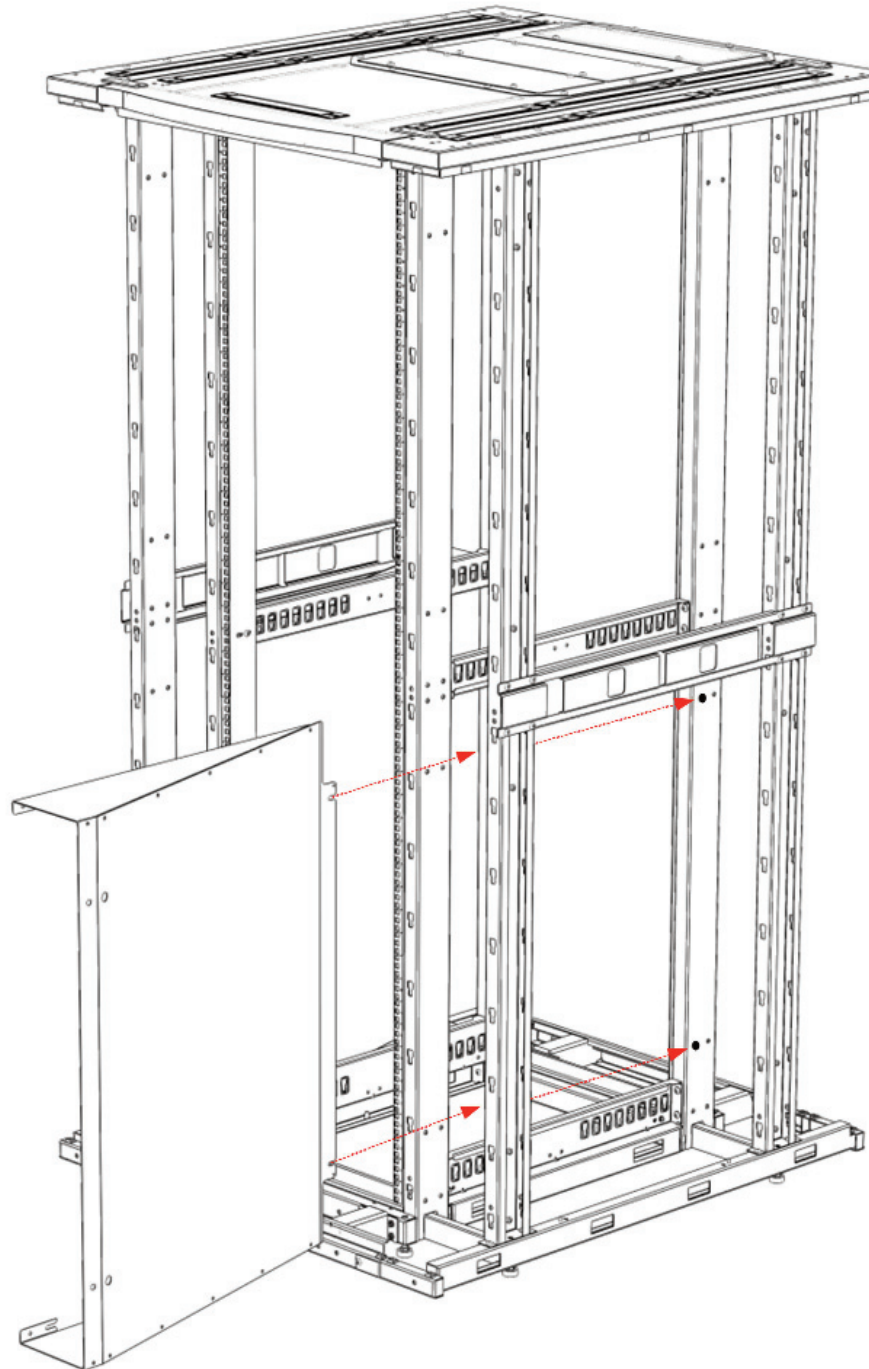
5/32 & 3/16" Allen Wrenches



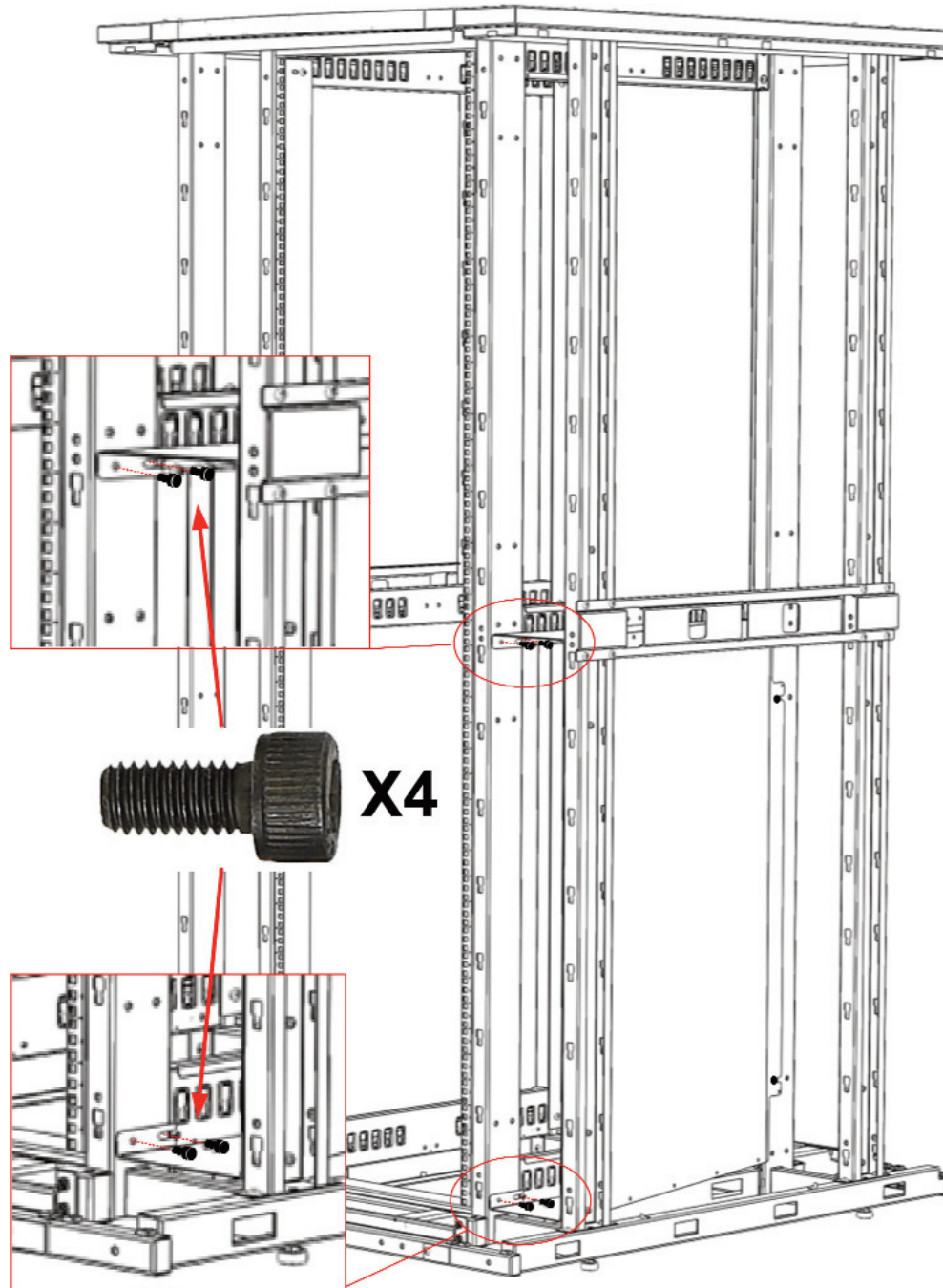
Step 1.



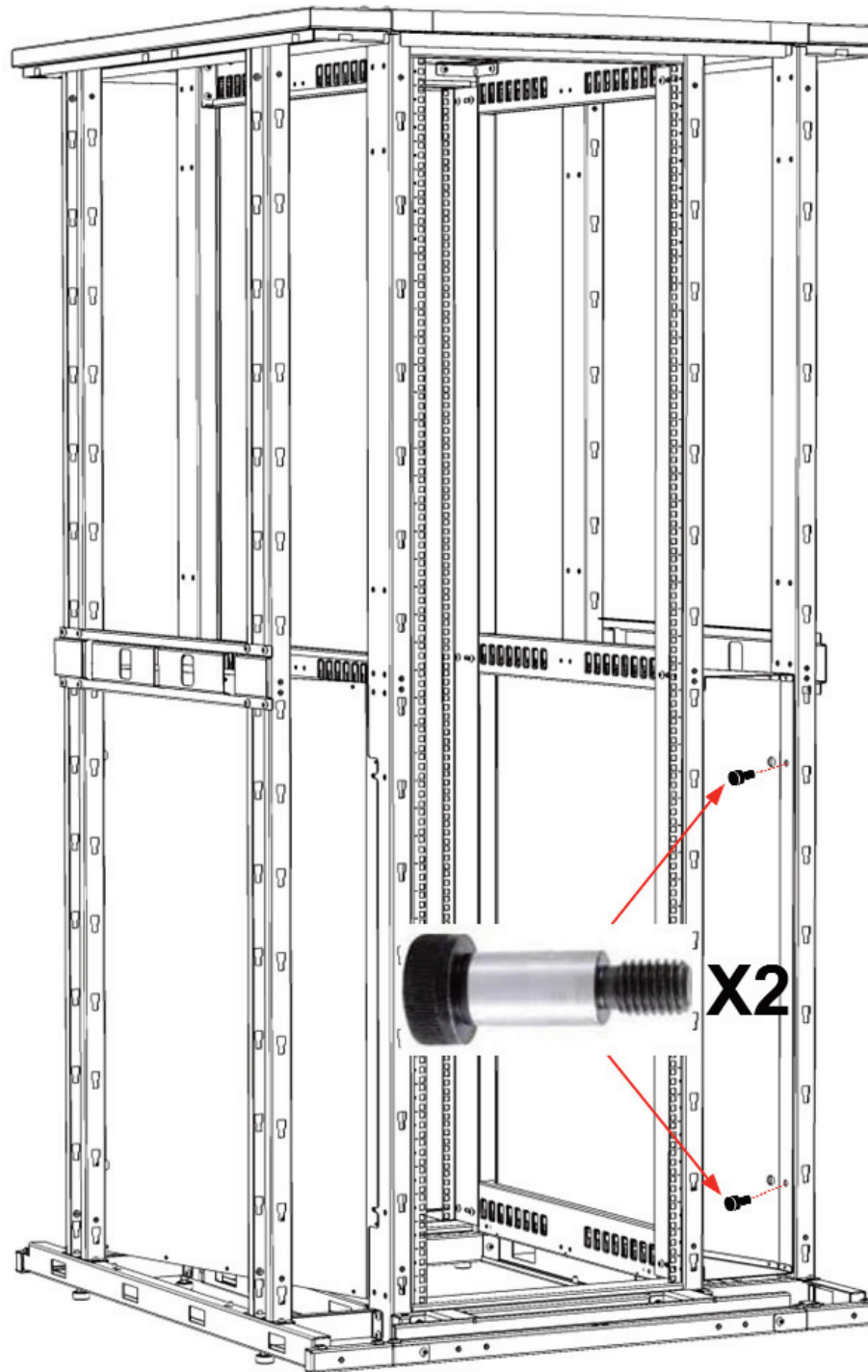
Step 2.



Step 3.



Step 4.



Global Headquarters

Watertown, Connecticut USA

Tel: (1) 866-548-5814

For a complete listing of our global offices visit our web site

