

Cold Aisle Containment System Instructions

Hardware:

Top Panels

4: SELF TAPPING SCREWS
2: STAR WASHERS
2: M6 BOLTS
2: M6 FLANGE NUTS

Door Frame

24: SELF TAPPING SCREWS
6: ALLEN BOLTS
4: 50MM (2") LAG SCREWS
6: NYLON NUTS

End Panel

2: STAR WASHERS
14: M6 BOLTS
14: M6 FLANGE NUTS
10: SELF TAPPING SCREWS

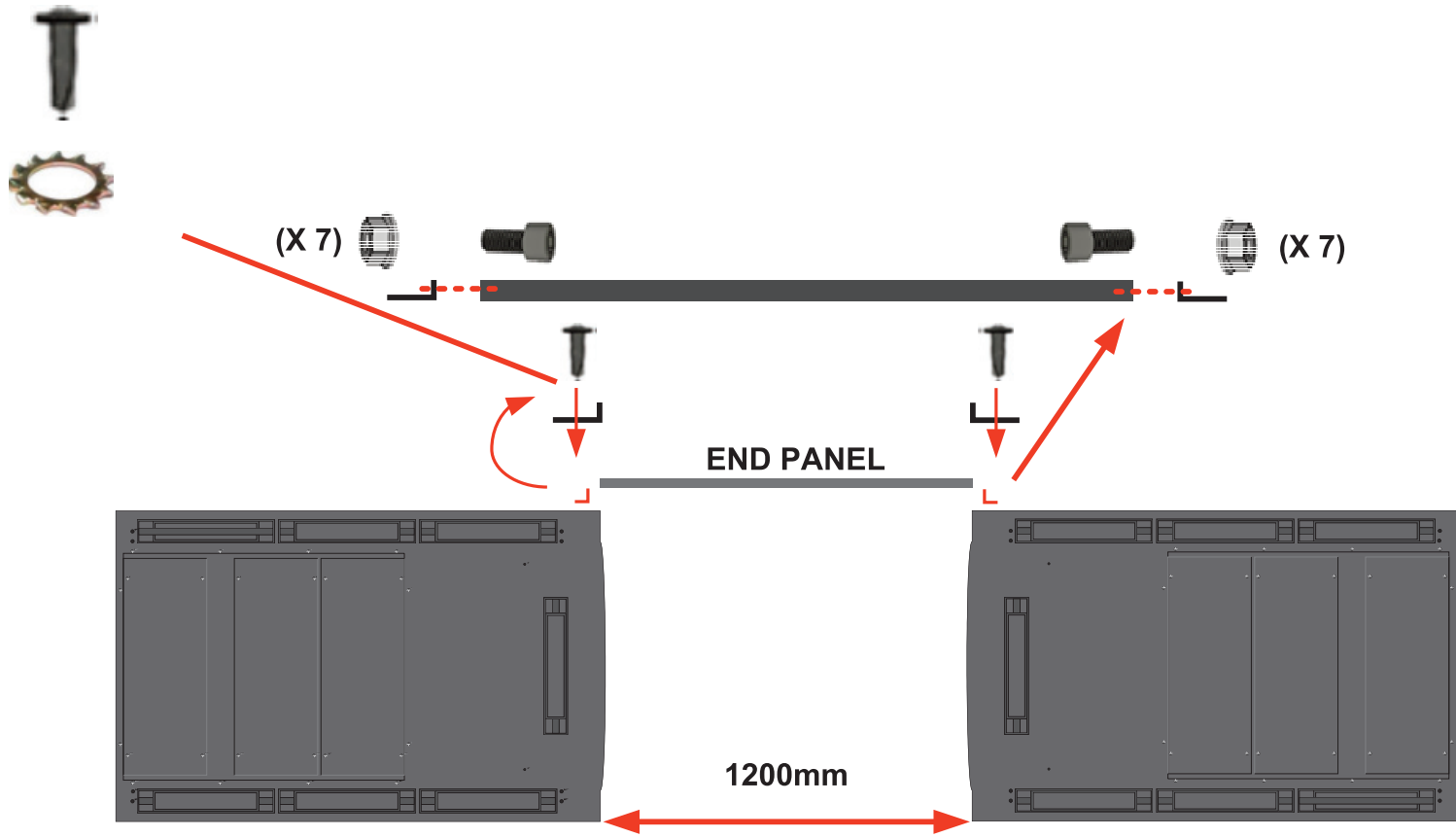
Tools Required:

#2 PHILIPS SCREW DRIVER
2, 3, 4, & 5MM: ALLEN WRENCHES
8, 10 & 13MM: WRENCHES
NEEDLE NOSE PLIERS
ELECTRIC DRILL
#2 PHILIPS HEAD DRIVE TIP FOR DRILL

SAFETY CONCERNS:

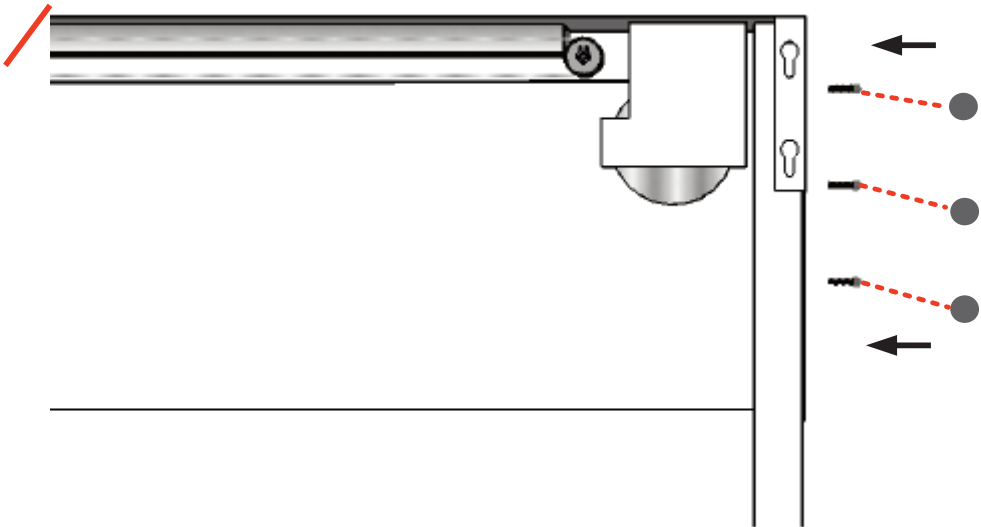
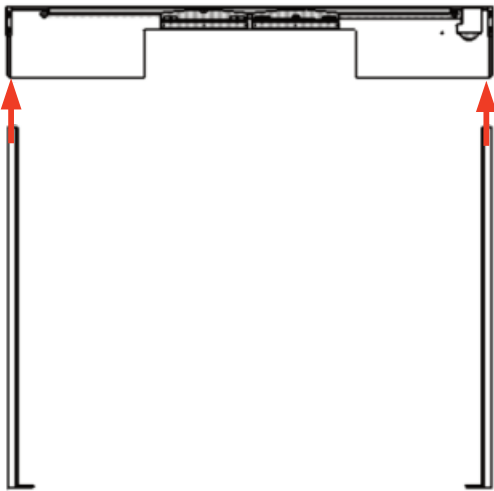
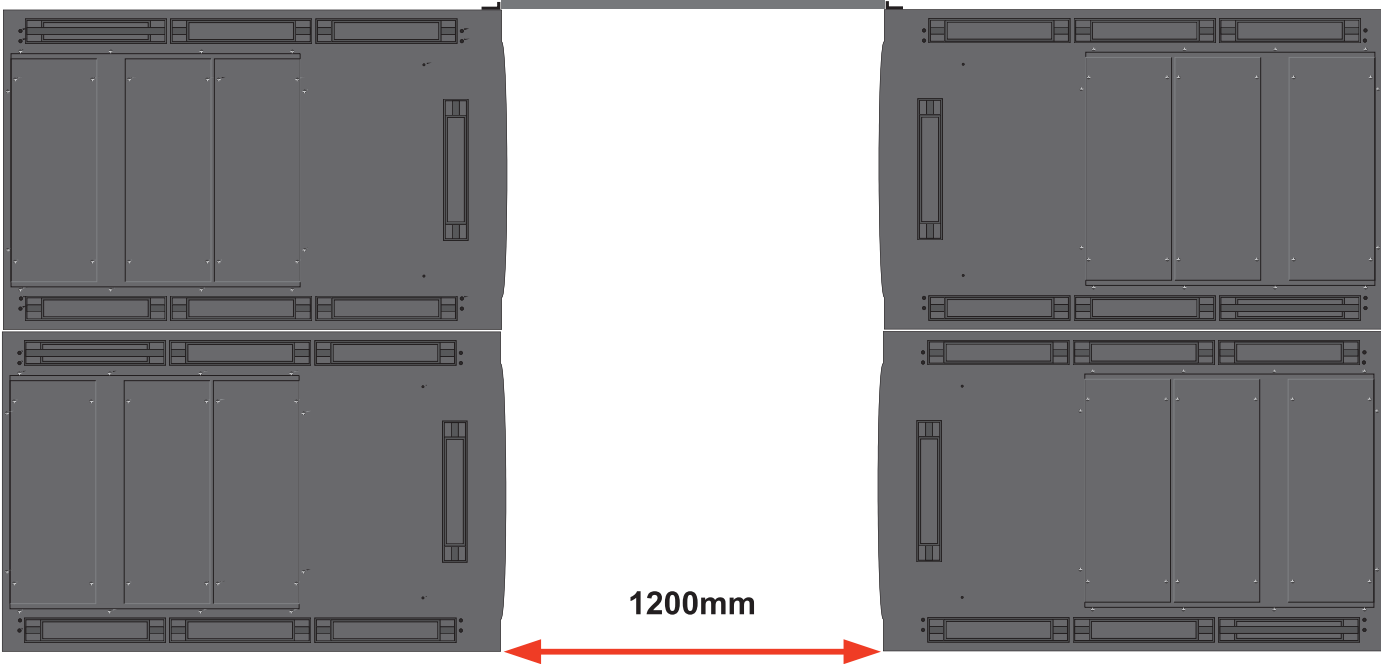
- Due to the size and weight of most of the components, it is recommended that a minimum of 2 technicians be involved in the unpacking and assembly of the system.
- Bonding of all components is accomplished through the proper use bonding posts, star washers and bonding wires included with hardware for each part of the system.

END PANEL INSTALLATION



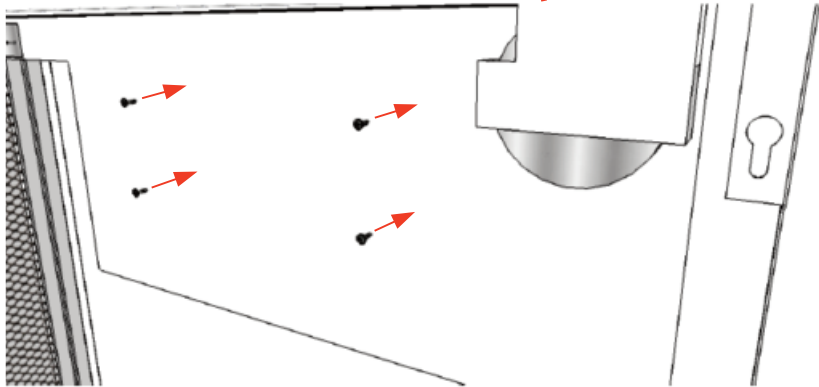
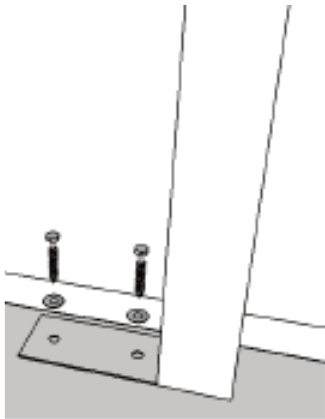
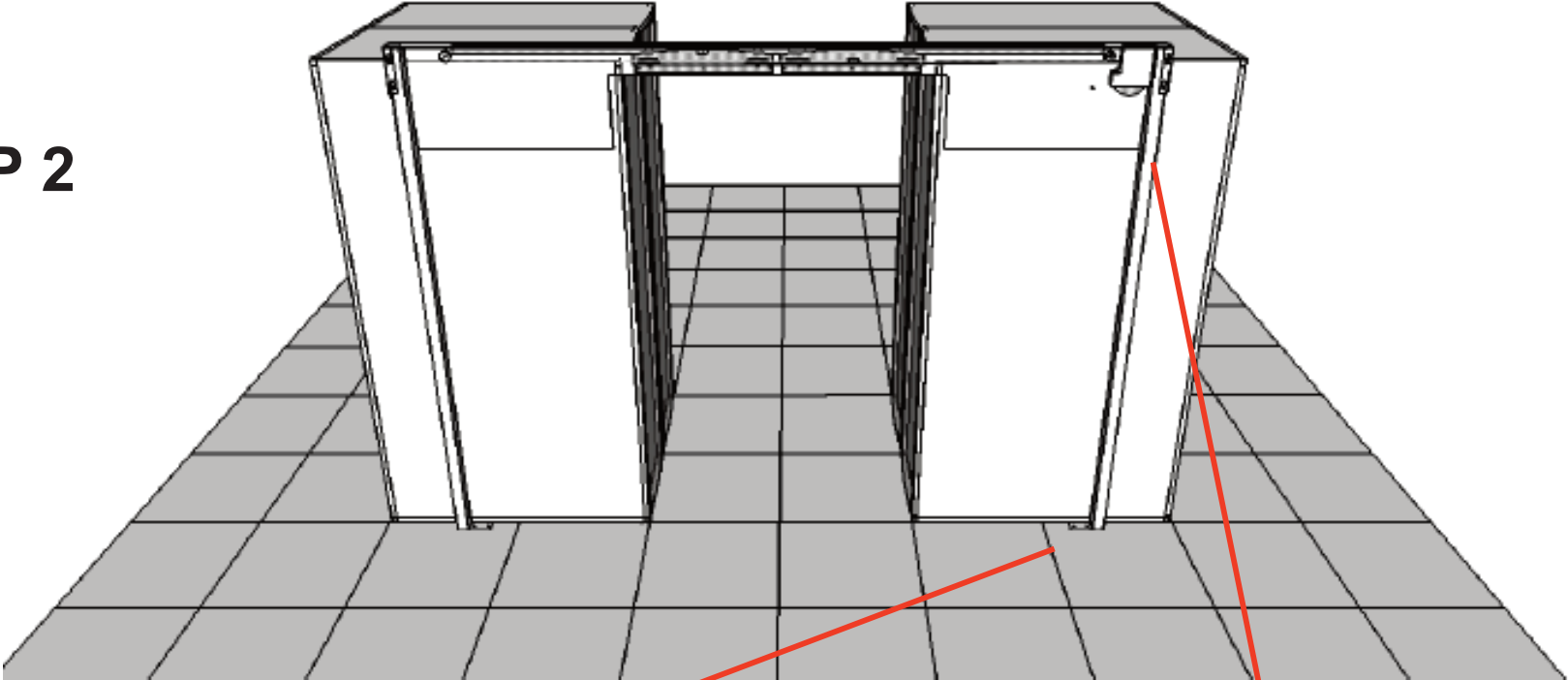
DOOR INSTALLATION

STEP 1

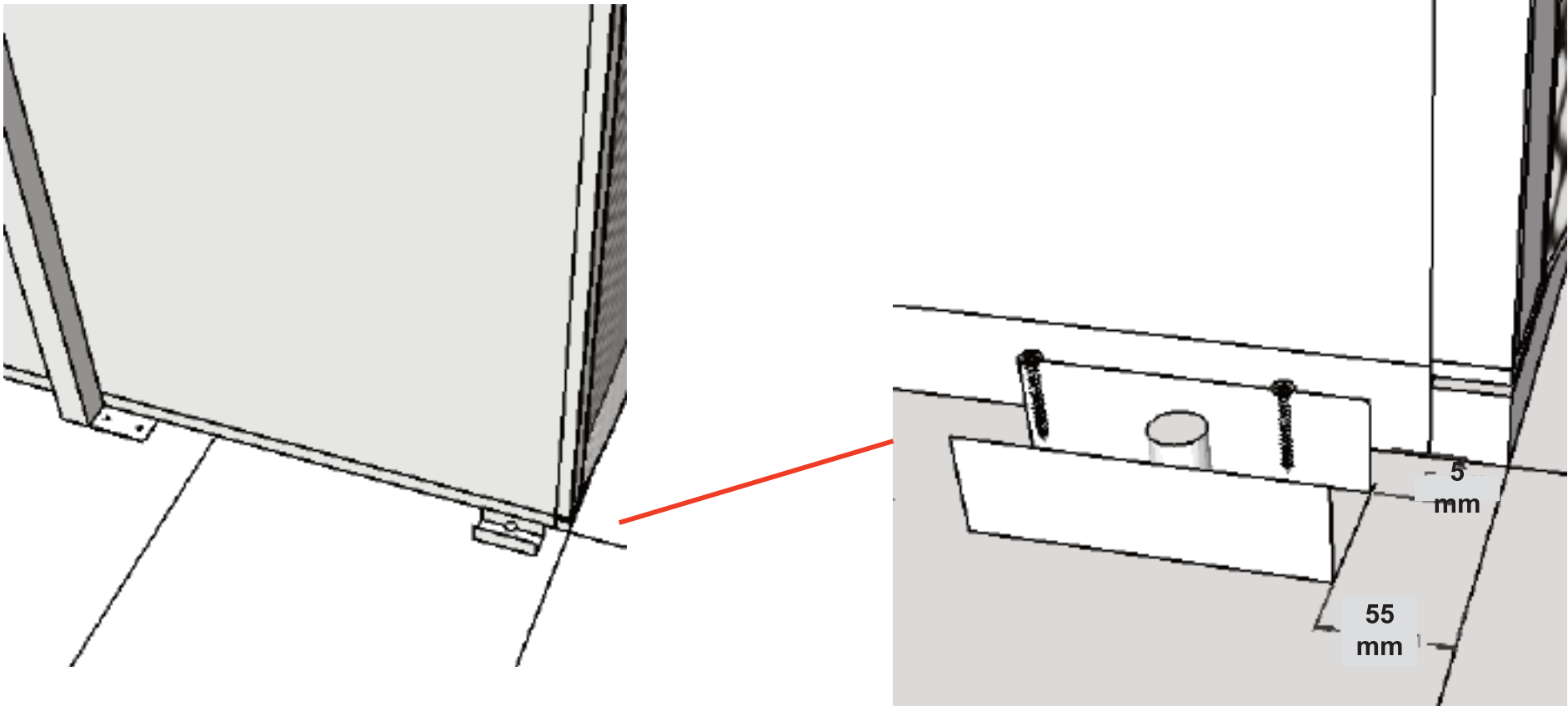


DOOR INSTALLATION

STEP 2



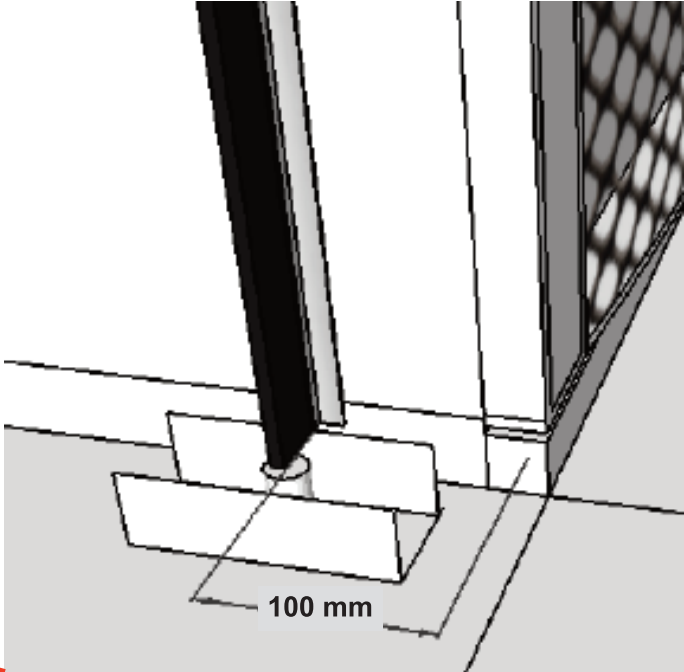
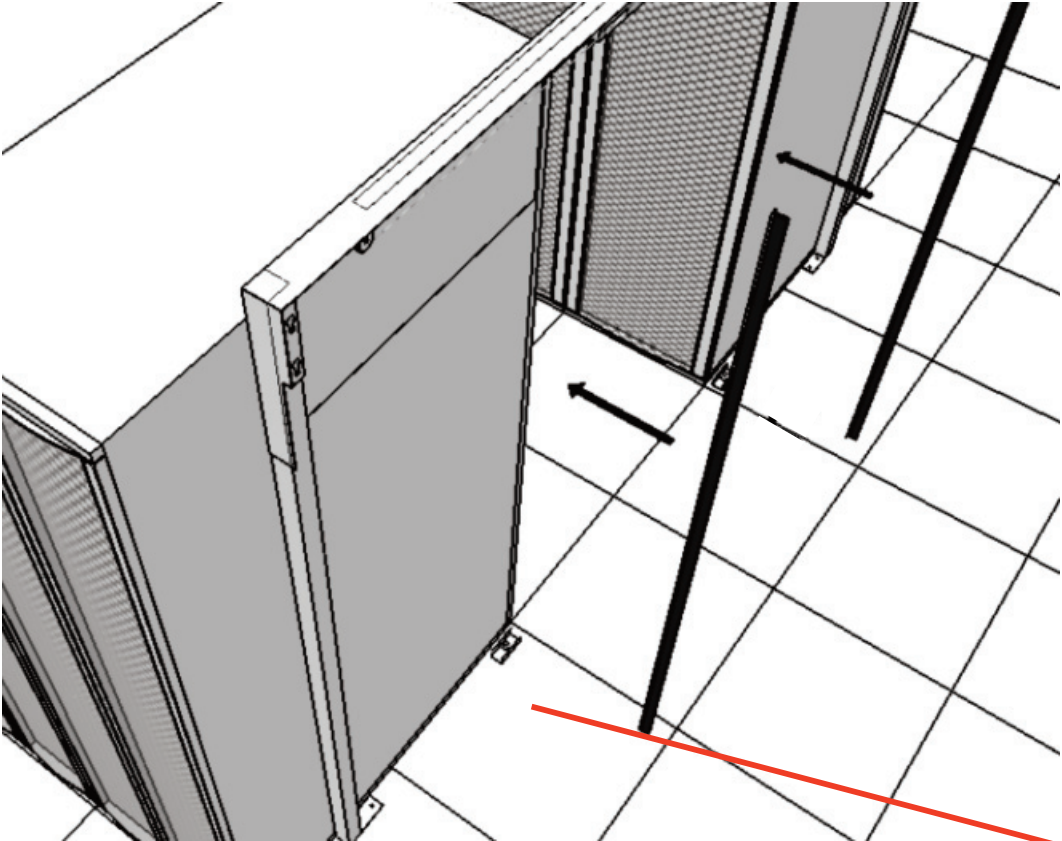
DOOR INSTALLATION



STEP 3

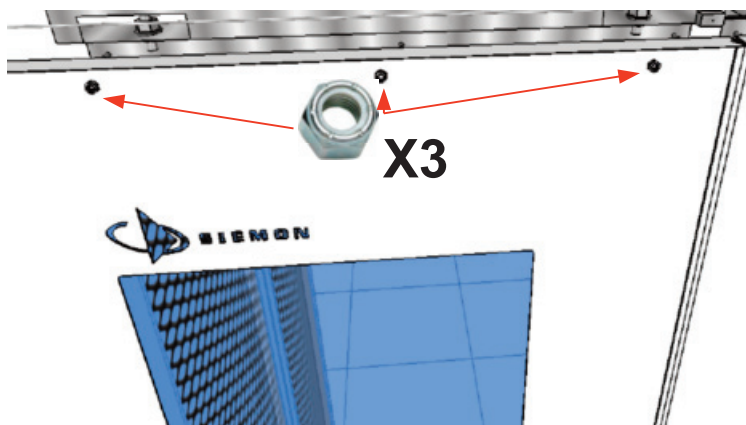
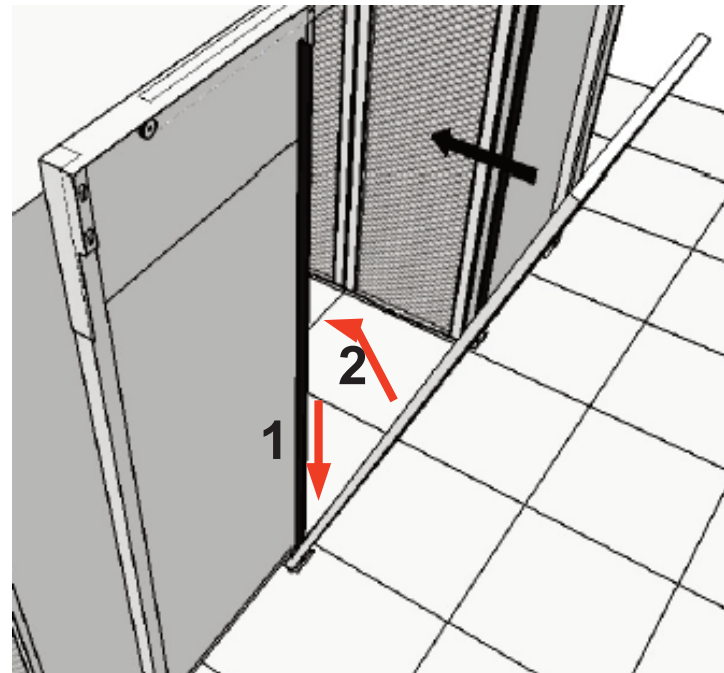
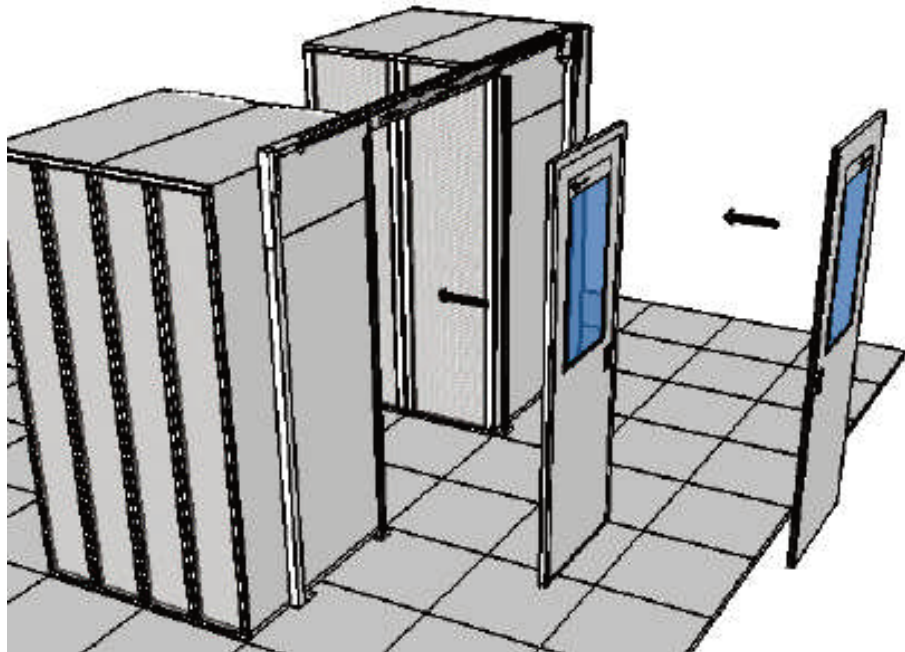
DOOR INSTALLATION

ADHESIVE BRUSH STRIPS



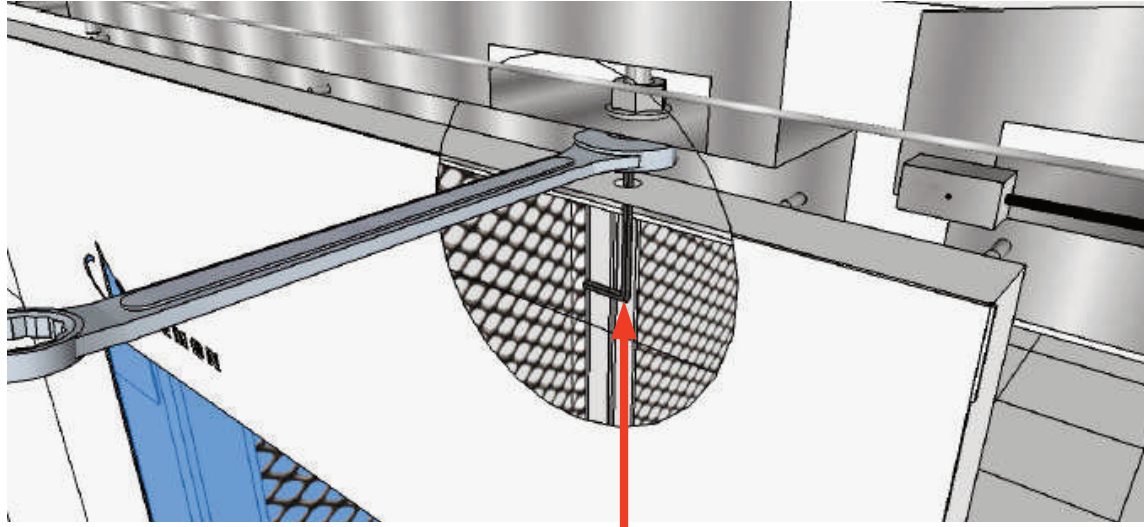
STEP 4

DOOR INSTALLATION



STEP 5

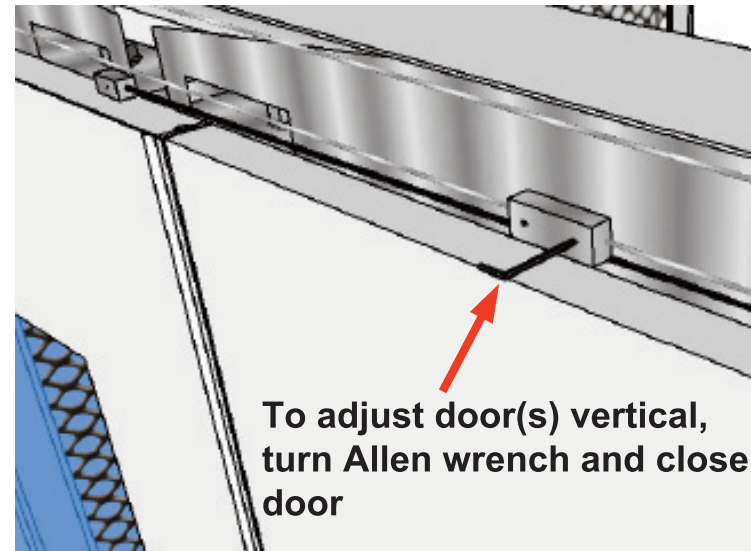
DOOR ADJUSTMENT



To adjust door(s) horizontal, keep Allen wrench in place, only turn wrench



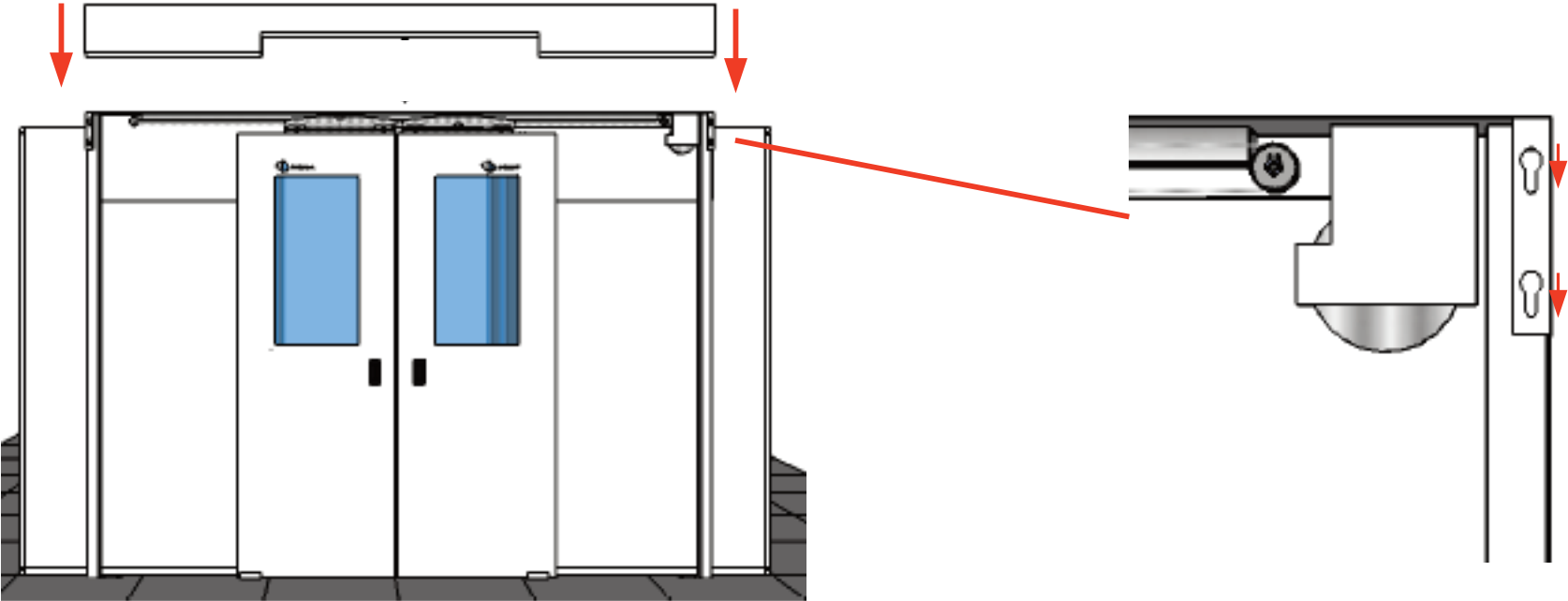
To adjust closing speed, keep pliers in place and turn Allen wrench



To adjust door(s) vertical, turn Allen wrench and close door

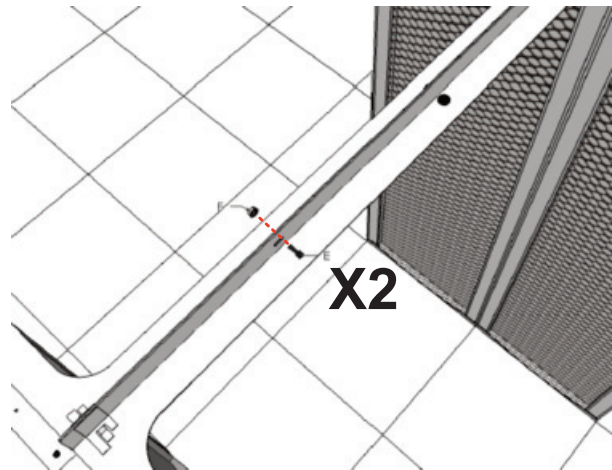
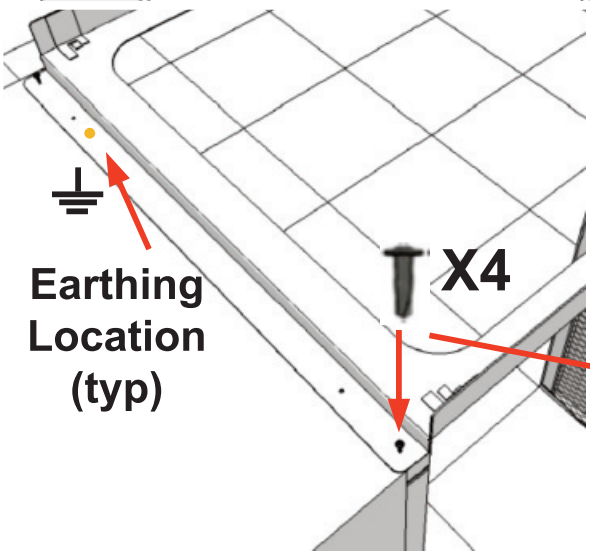
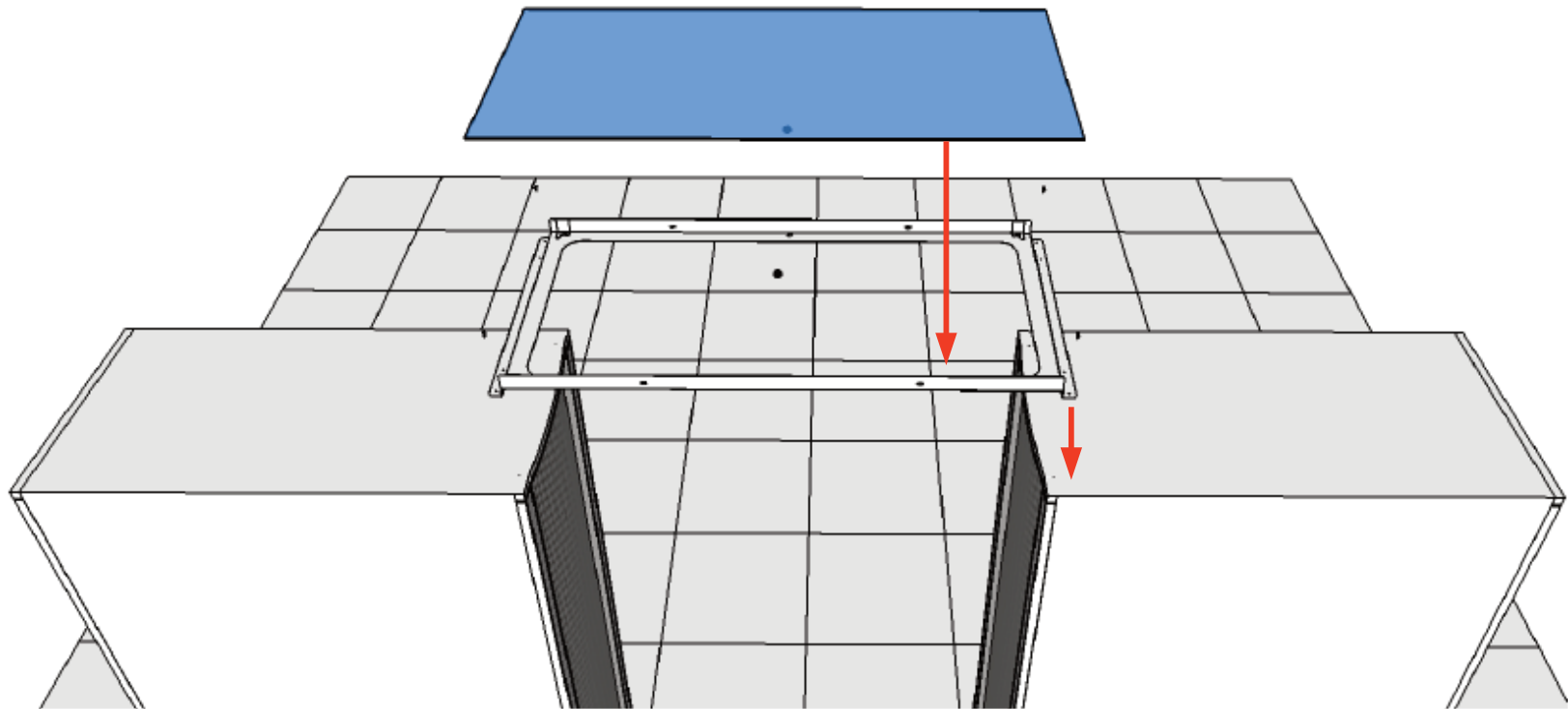
STEP 6

DOOR VALANCE INSTALLATION



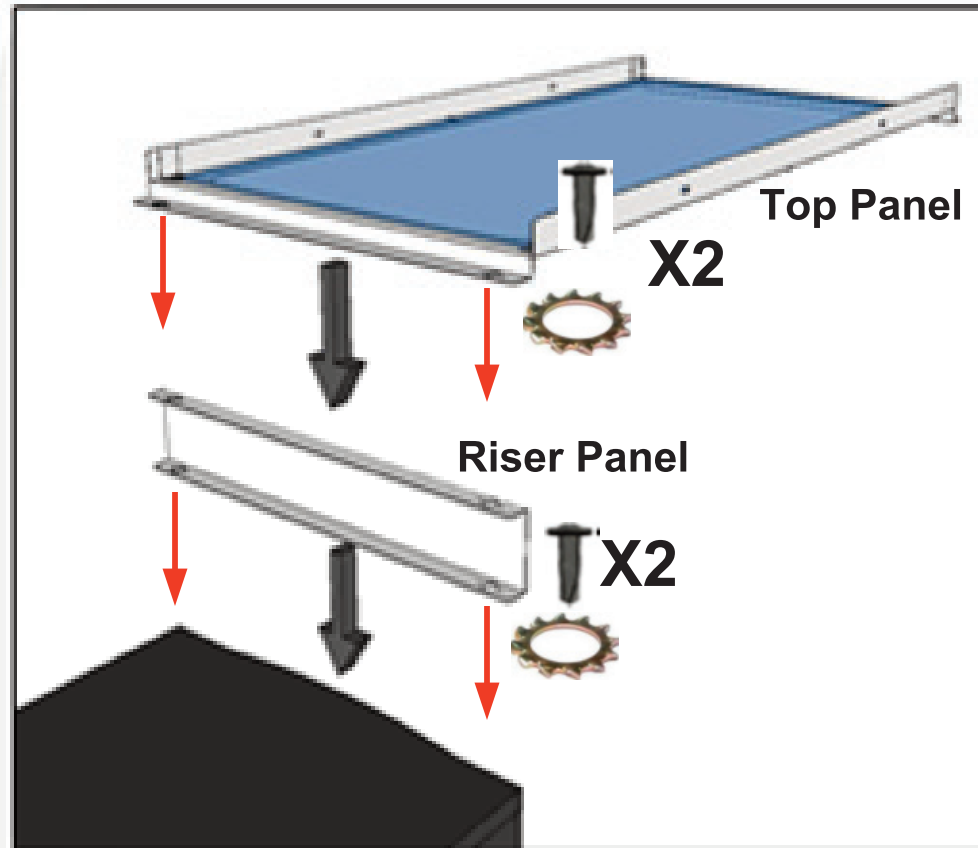
STEP 7

TOP PANEL INSTALLATION



Bolt adjacent panels together

RISER PANELS



Used for 42U Cabinet Installations to provide adequate headroom within the containment area

Global Headquarters

Watertown, Connecticut USA

Tel: (1) 866-548-5814

For a complete listing of our global offices visit our web site

