

V800 CABINETS



Table of Contents

Safety Information.....	3 - 4
V800 Leveling Instructions.....	5
V800 Cabinet Baying Instructions.....	6
Door Removal Instructions.....	7
Handle Removal & Reversal Instructions.....	8
Handle Installation Instructions.....	9
Door Installation Instructions.....	10
Side Panel Installation/Removal.....	11
Equipment Rail Adjustment.....	12
Brush Guard/Fan Kit Installation Instructions.....	13
Castor Wheel Installation Instructions.....	14
Bonding Instructions.....	15
Bolting Down Cabinet Instructions.....	16
Shelving Instructions.....	17
Tumbler Lock Instructions.....	18



WARNING: Failure to follow this information can result in injury or death



CAUTION: Failure to follow this information can lead to possible equipment damage.



NOTE: *Clarifying information or comment*

Safety Information

WARNINGS



- Read and understand all instructions for proper installation and use of this product as improper use may lead to serious injury or death
- To remove the cabinet from the pallet for final placement, ensure the pallet is located on a level surface and remove the two (2) bolt-down brackets. Once removed, be sure the sufficient personnel to safely remove the cabinet from the pallet.



NOTE: These two (2) bolt-down brackets can also be used as stabilizing brackets once the cabinets are in their final position within the Telecommunications space.

- Obtain adequate assistance to stabilize the cabinet during movement. Do not attempt to move large cabinets with a single person. All equipment must be unloaded from the cabinet prior to movement.

- "Temporary Transport"

Optional castors are available for relocation of the cabinets. While castors are capable of supporting a fully loaded cabinet, they should only be used to move the cabinet between locations. When relocating cabinets using castors, they must be moved with extreme care as they may tip if they experience sudden stops, excessive force, or travel over irregular surfaces. It is recommended to move the cabinet using the front or rear of the cabinet as the leading edge – do not push on the sides. Once in place, the leveling feet (and bolt-down brackets) shall be fully deployed to offer maximum stability.

- A standalone cabinet should be leveled, stable and anchored to the floor. Two or more cabinets can be bayed together (coupled) to enhance their stability. Each cabinet should be anchored to the floor.

- Before loading equipment in the cabinet, be sure to adjust the leveling feet to level the cabinet. Do not use castors to stabilize the cabinet, always anchor the cabinet frame to the floor.

- Always load the cabinet such that the heaviest equipment (e.g. UPS Units, large enterprise switches) is located at the lowest point in the cabinet and add lighter equipment on higher levels. This will serve to further reduce the potential risk of cabinets tipping over. Utilize the bolt-down brackets will also help in this regard. The same consideration should be taken when and if shelving is deployed within the cabinet – especially when using sliding shelves – as loads placed on them destabilize the cabinet when extended from within the confines of the cabinet.

- The maximum load capacity of the cabinet should not exceed 1000kg (2200lbs)

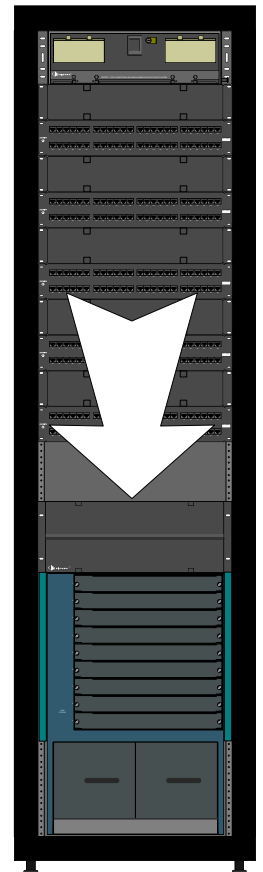
- The maximum anticipated ambient temperature inside a fully loaded cabinet system is (10°C – 60°C)

- The enclosure cabinets are intended to be installed in accordance with all applicable requirements of the National Electrical Code (NEC) and the local Authority Having Jurisdiction (AHJ).

- The minimum spacings between the accessories and components and the enclosure cabinet shall be maintained for safe operation of the equipment when installed in accordance with the NEC.

- The V800 cabinet can support many equipment configurations. The amount of force required to tip or destabilize the cabinet differs with each configuration. Be sure to read and follow your equipment manufacturer's specific assembly and safety instructions.

- When servicing slide mounted equipment (e.g. – servers, KVM devices), secure all equipment, other than the unit being serviced, in position to prevent them from inadvertently sliding out and destabilizing the cabinet. Also, be sure to extend only one sliding unit at a time as the extension of multiple units may result in the cabinet tipping over. When extending sliding units, do so very slowly as quick extension of these units can also cause the cabinet to tip over.



Safety Information Continued



- For protection of the equipment and personnel, ground each cabinet individually as per applicable regional industry standards such as the Telecommunications Equipment Bonding Conductor (TEBC) or Signal Reference Grid (SRG). Each V800 cabinet comes equipped with multiple bonding locations as well as a door bonding kit that consists of a (#10AWG Wire) and associated mounting hardware.



- As with any grounding and bonding concerns, the local Authority Having Jurisdiction (AHJ) has the final approval as to what is considered compliant for a specific application.

NOTE: Cabinet bonding locations can further augmented with the addition of a grounding bus bar such as Simon's VersaPOD grounding kit (p/n VP-GRD) which offers ANSI-J-STD-607-A compliant tap point for grounding and bonding of the cabinet as well as any equipment installed within the cabinet.

CAUTIONS:

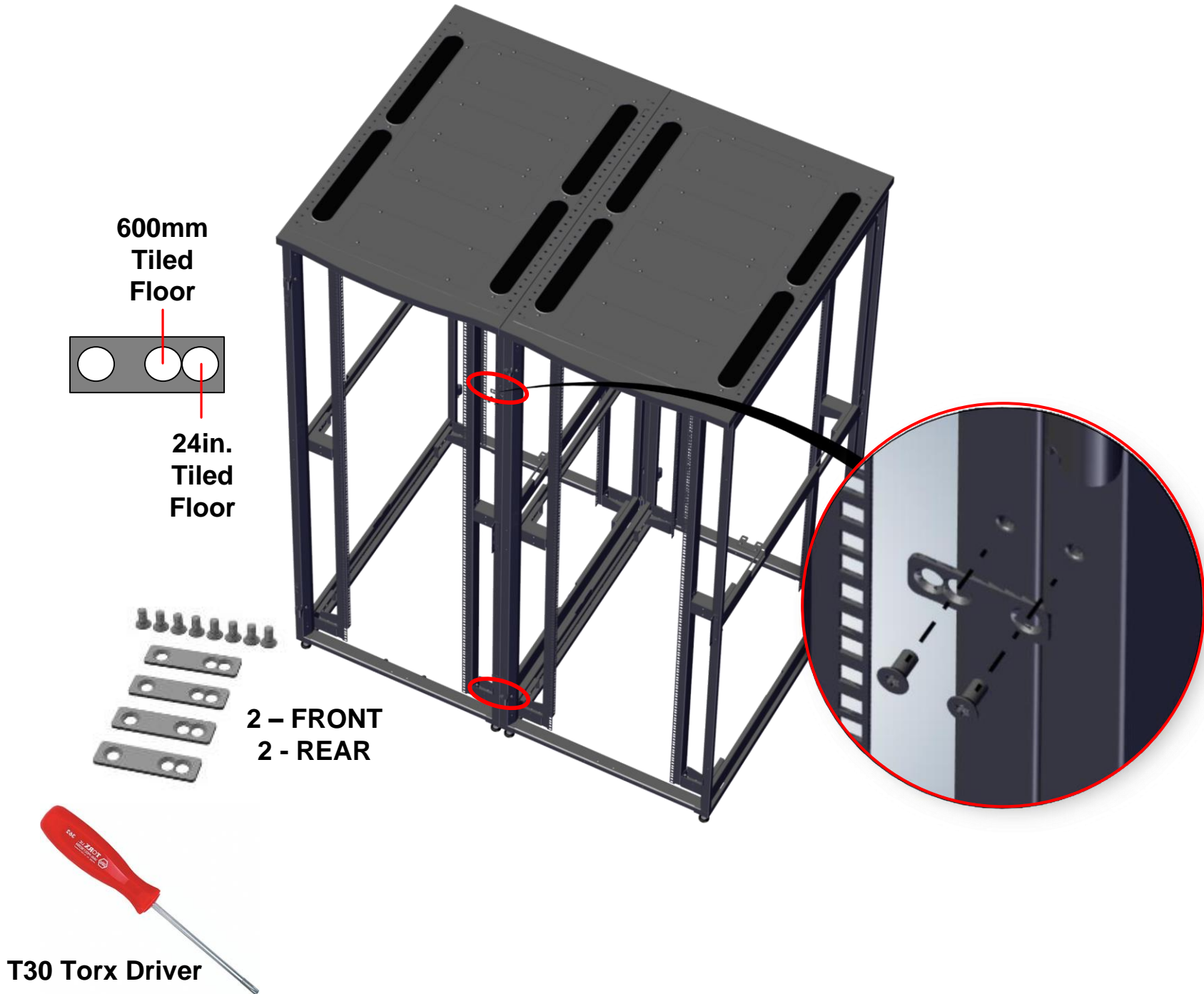
- When removing side panels from the cabinets, be aware that they are very large and extra care should be taken when handling to avoid personal injury or damage to the panel.
- When remounting side panels, be sure that the panels are inserted into the proper position of the lower side panel support and that the locking clips located at the top of the upper panel are fully engaged. See Page 11 for Side Panel Instructions.
- Proper management of cables plays an important role in helping to reduce obstruction of proper air flow within cabinets. Cables should be managed in a manner that prevents them from encroaching upon any horizontal equipment mounting spaces. Such spaces should remain as open as possible to maximize front to back air flow within the cabinet.

NOTE: Component Servicing – Defective units should be repaired by personnel trained by the manufacturer or returned to the manufacturer for repair or replacement.

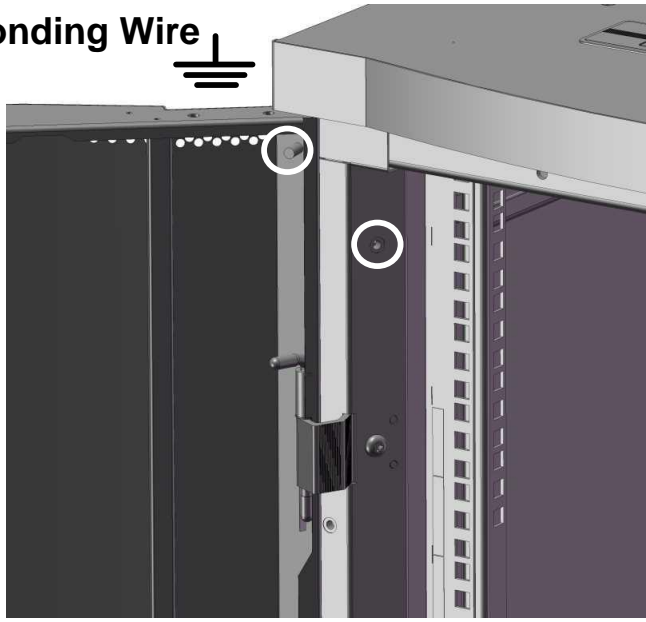
Leveling



V800 – V800 Baying



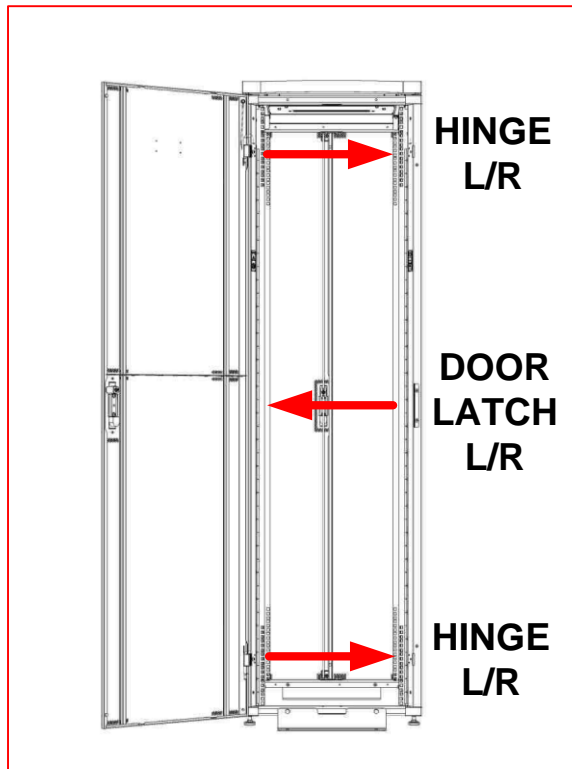
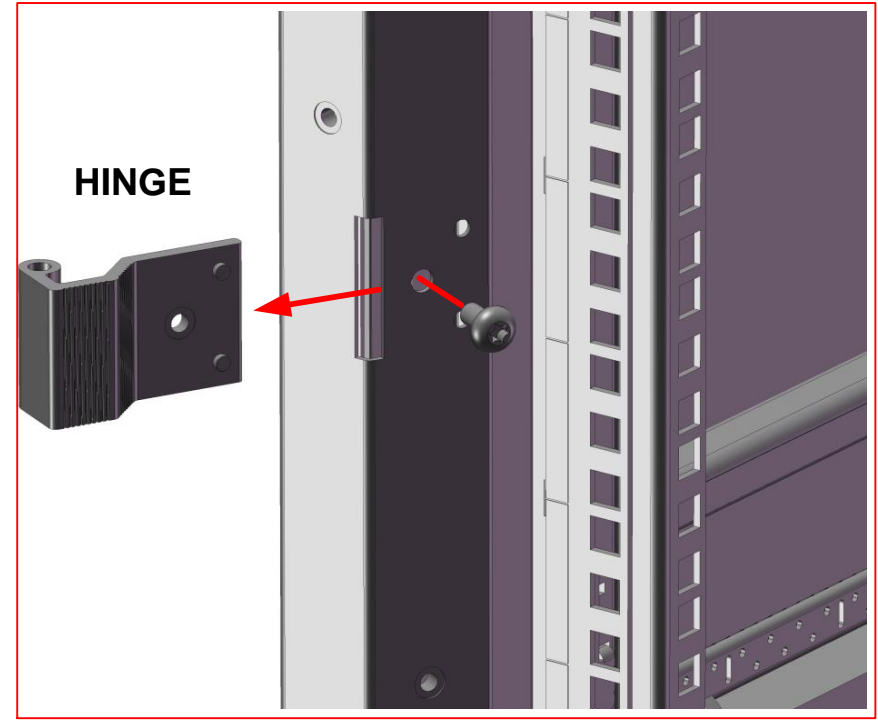
Remove Door Bonding Wire



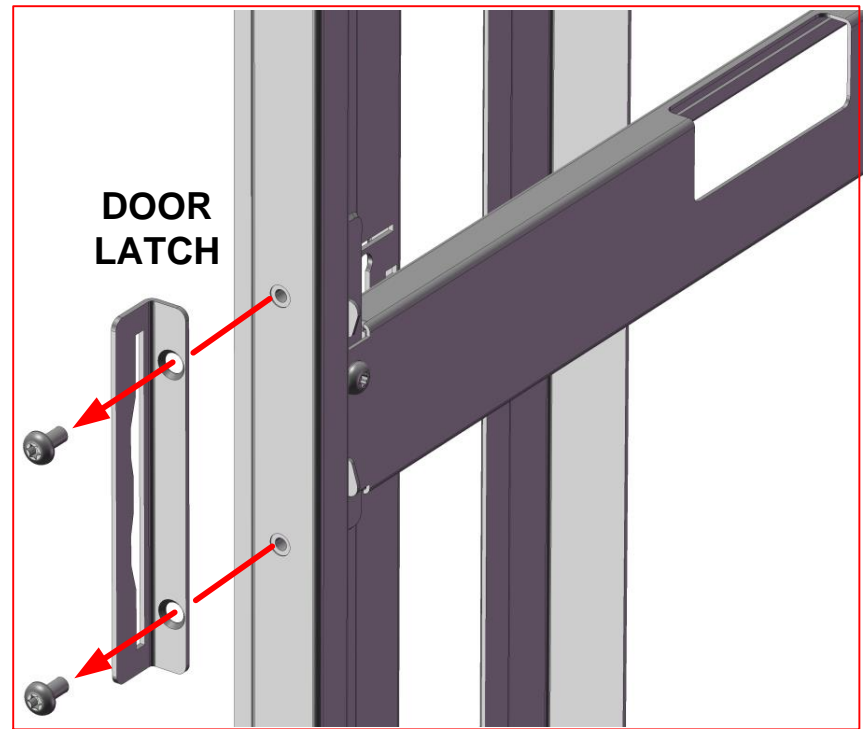
Door Removal



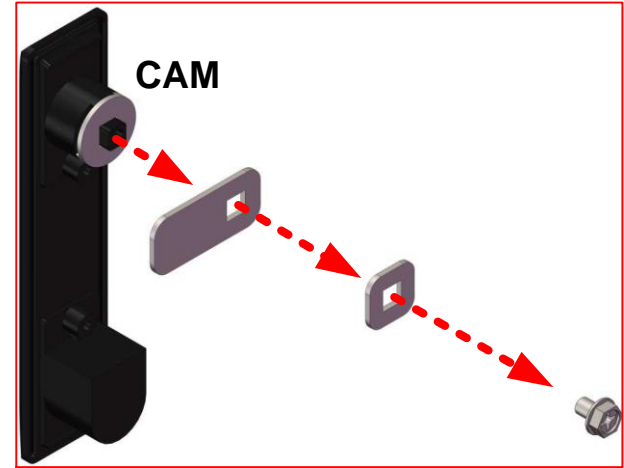
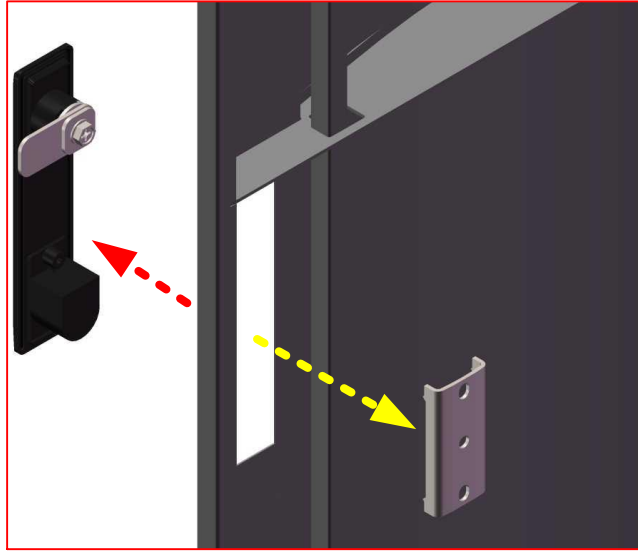
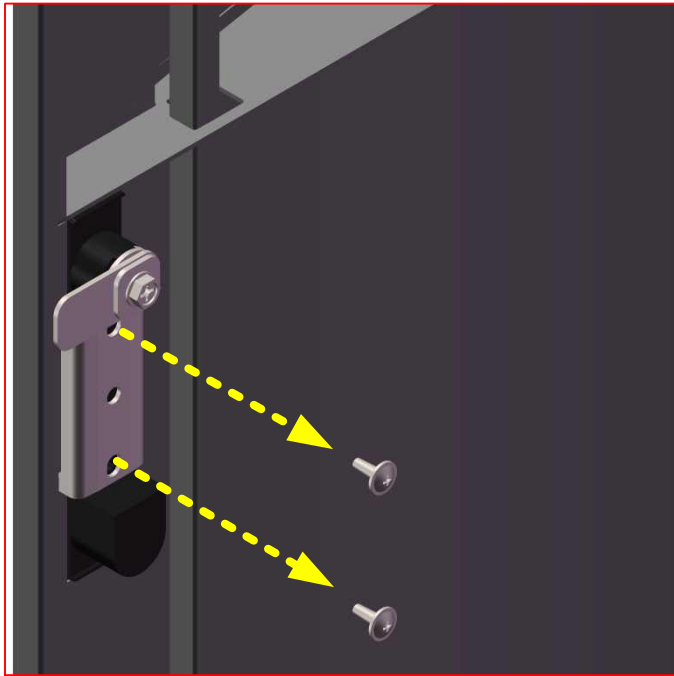
DOOR HINGE PIN (Slide up and out)



T30 Torx Driver



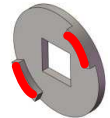
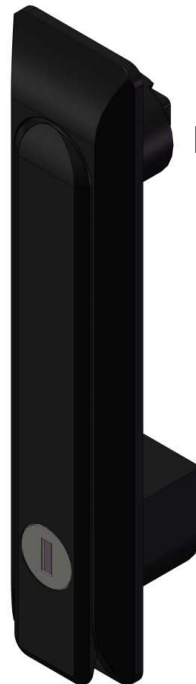
Door Handle Removal & Reversal



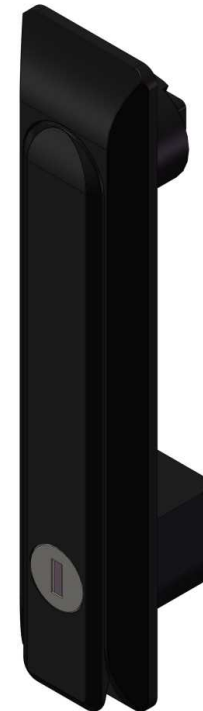
FLIP DOOR



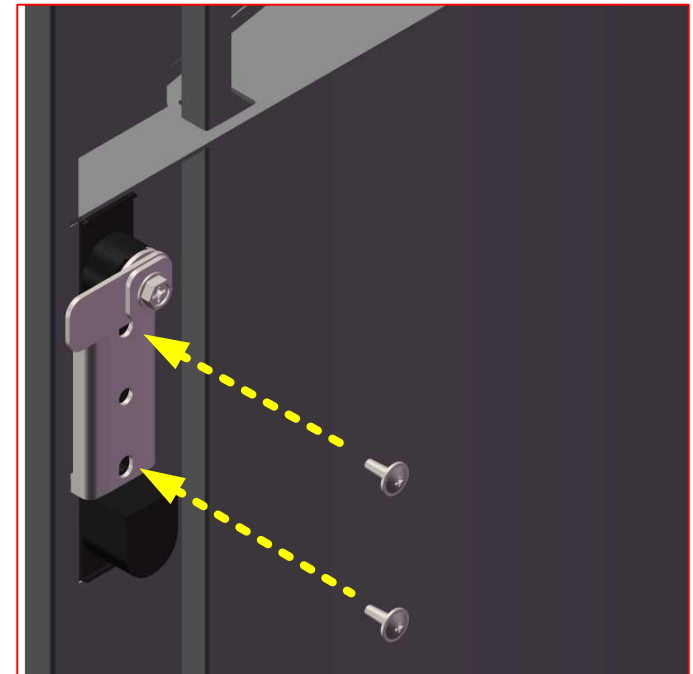
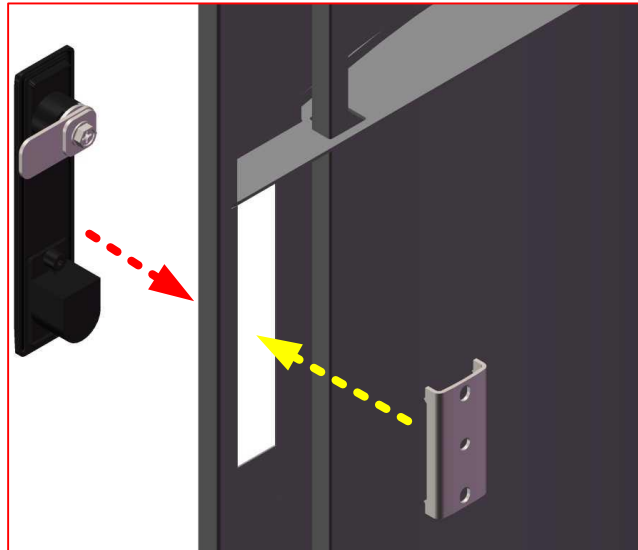
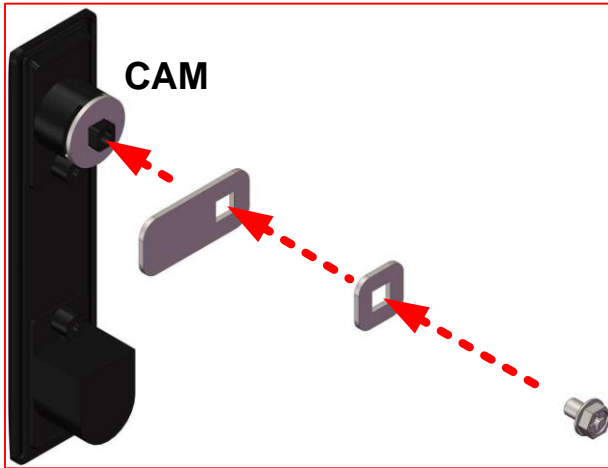
**CAM POSITION
FOR LEFT HAND
OPERATION**



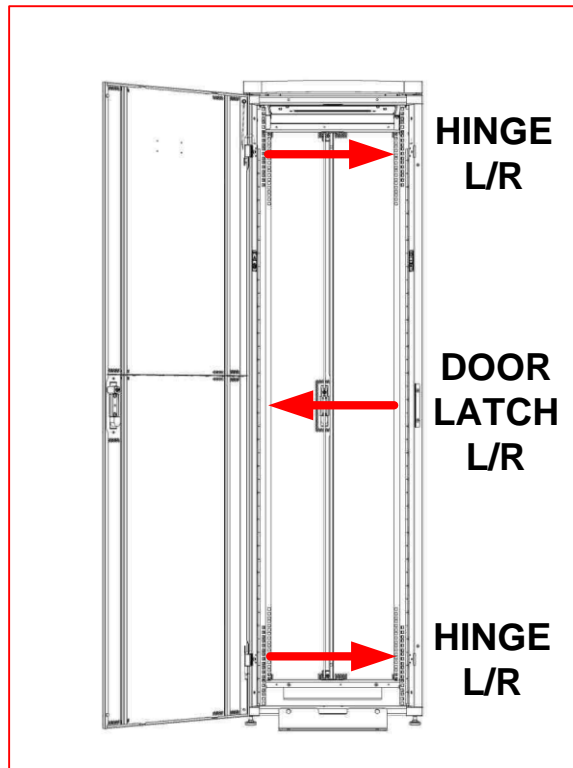
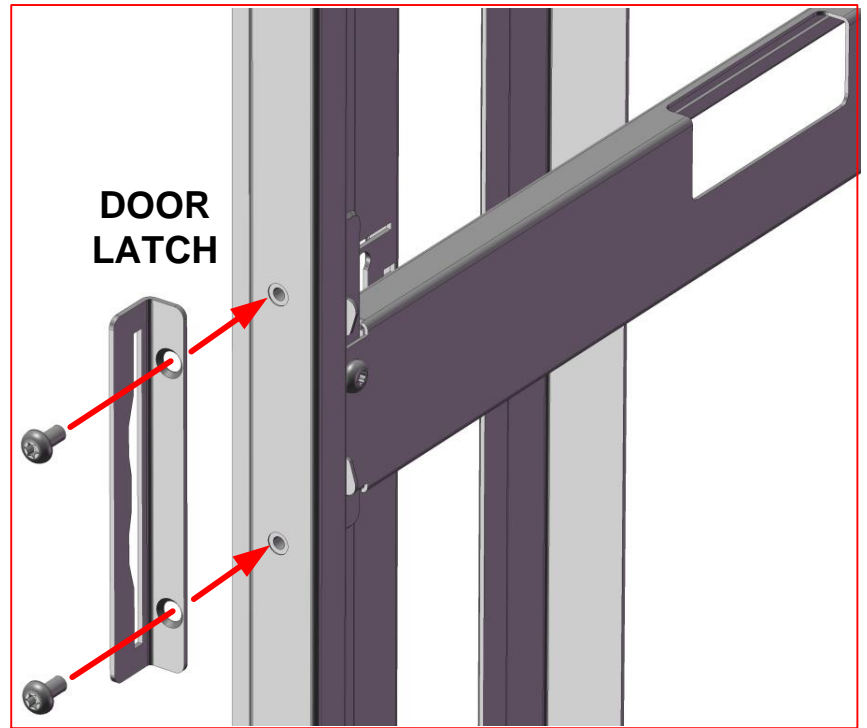
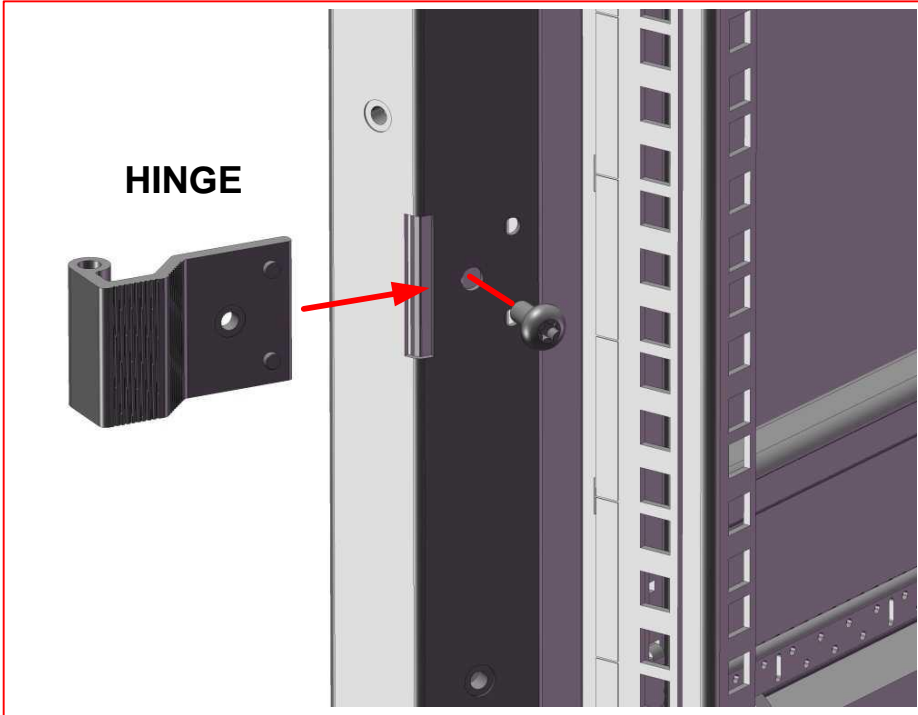
**CAM POSITION
FOR RIGHT HAND
OPERATION**



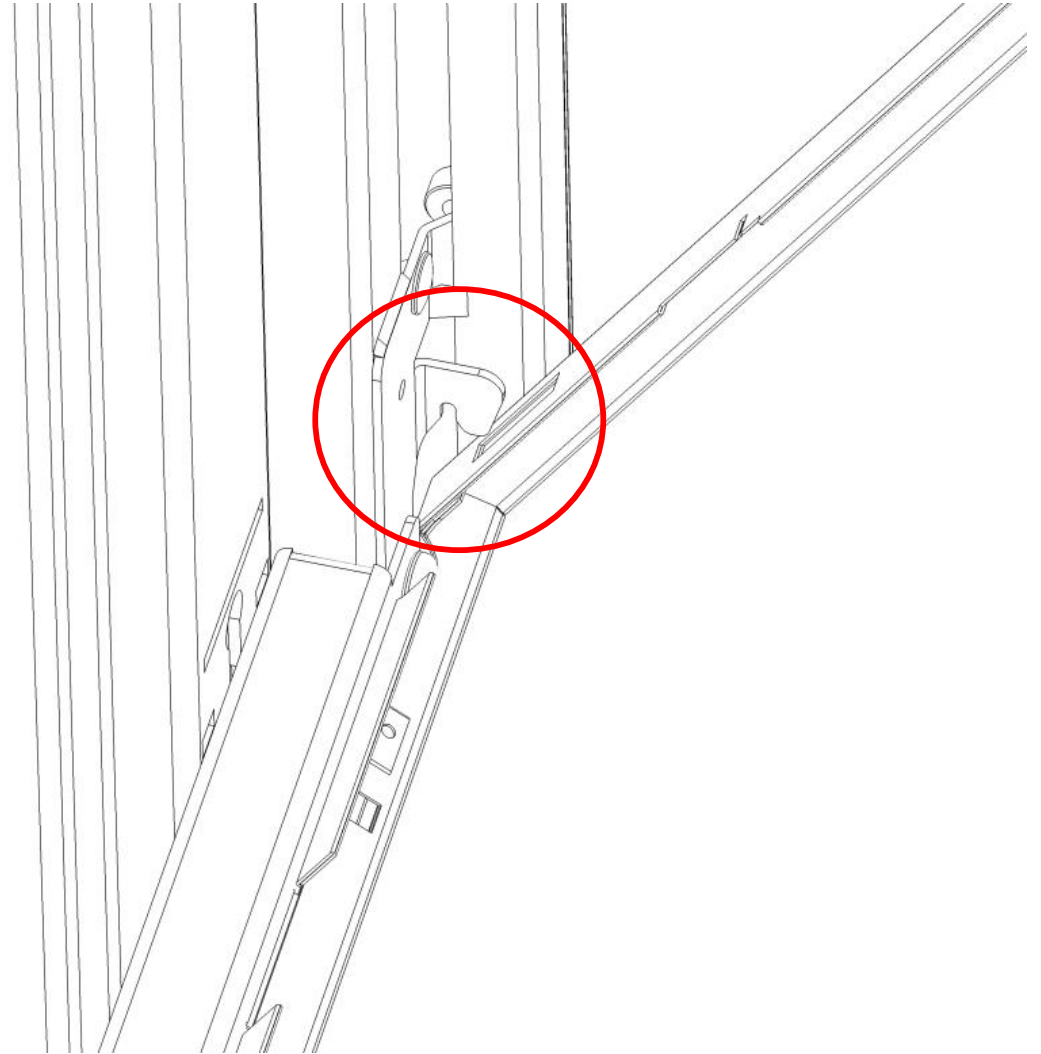
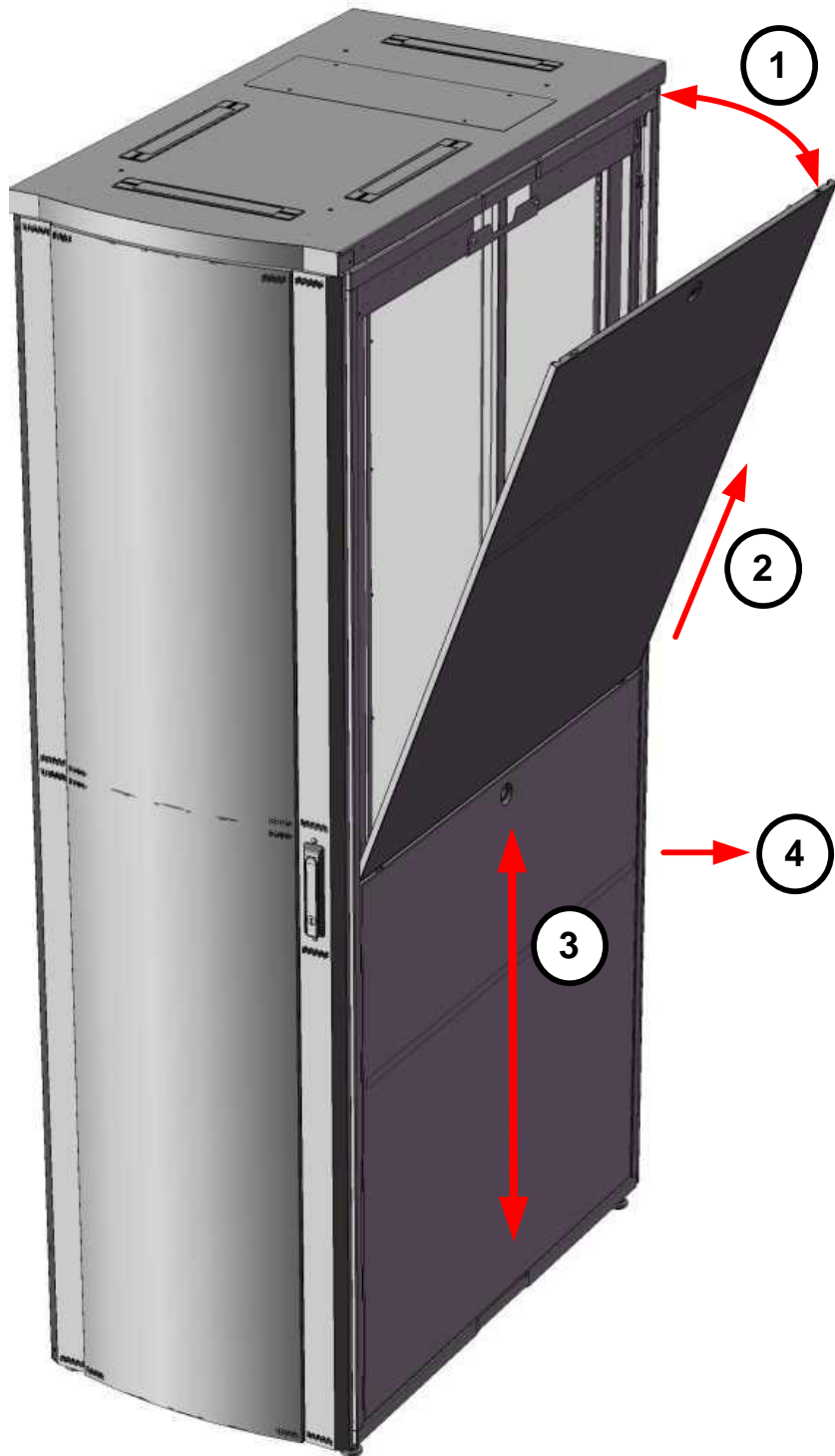
Door Handle Installation



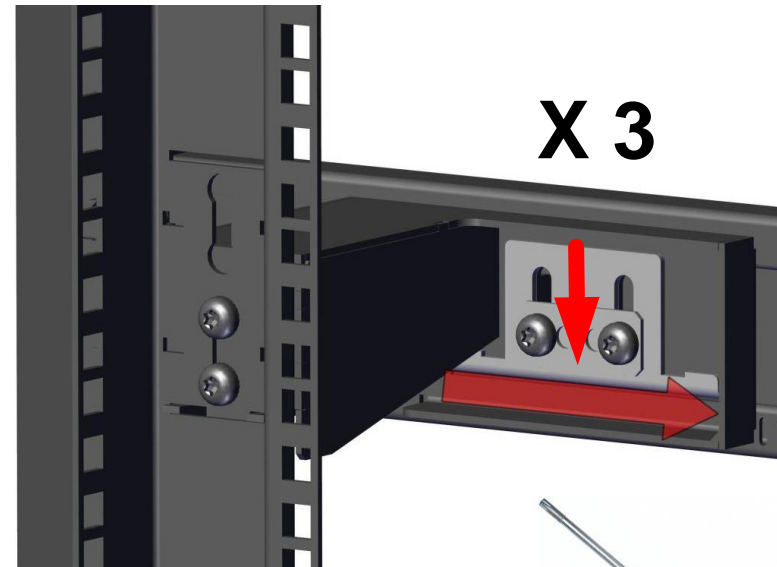
Door Installation



Side Panel Removal/Installation

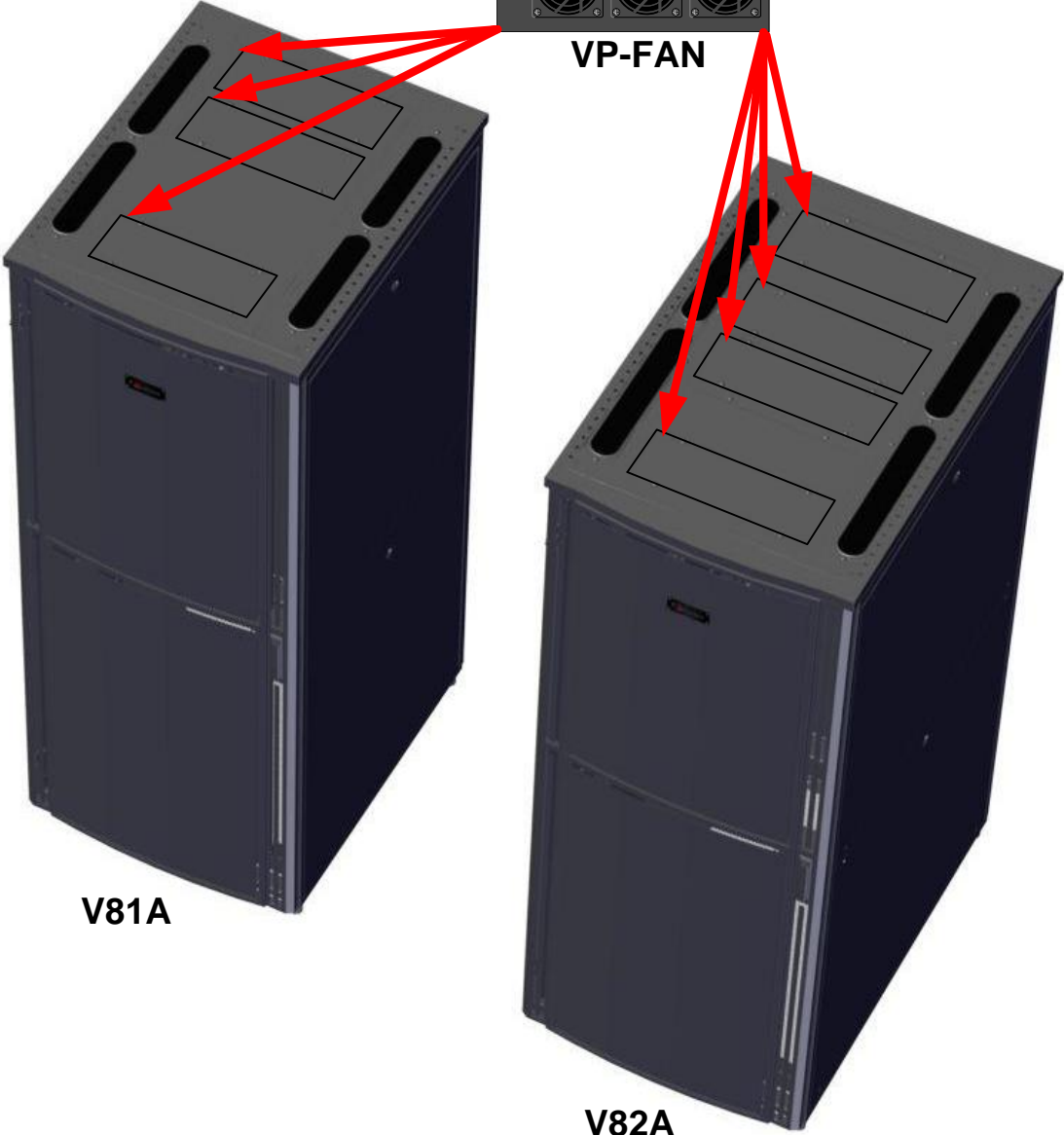
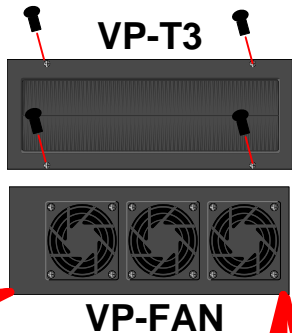


Equipment Rail Adjustment



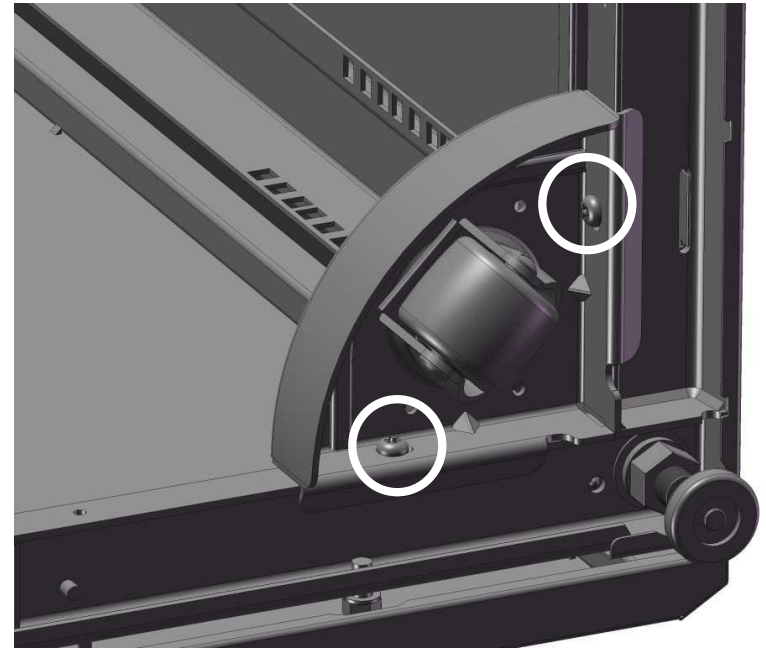
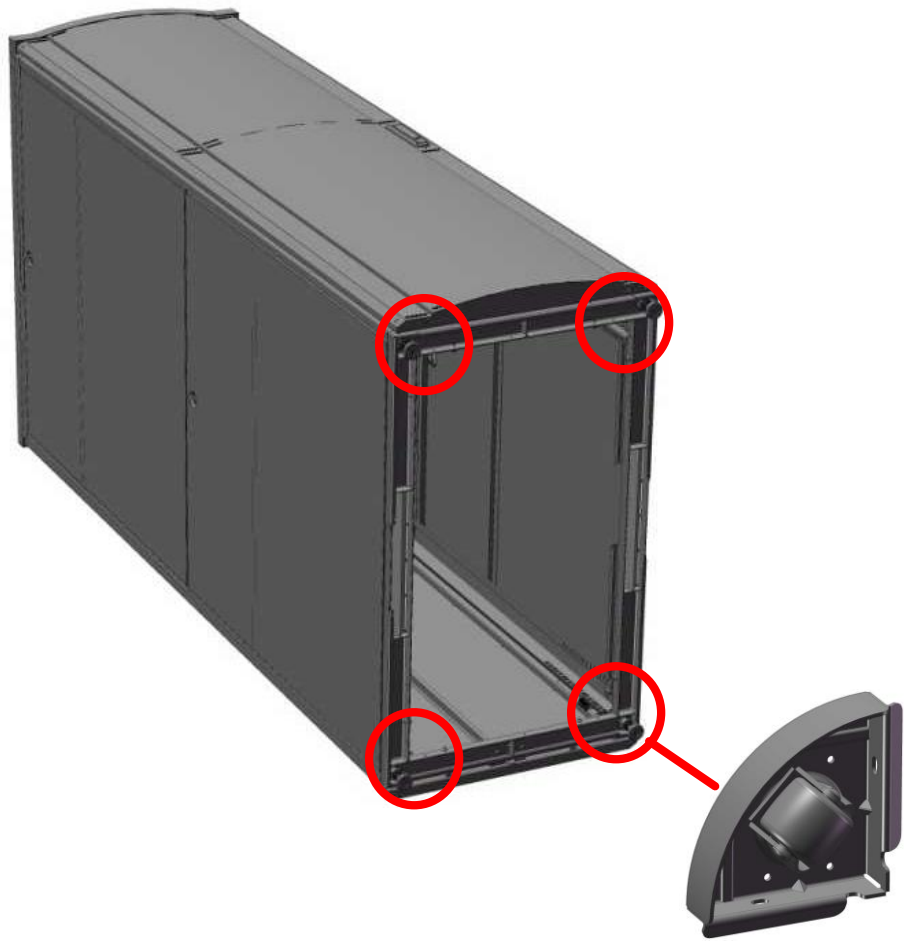
T30 Torx Driver

Brush Guard & Fan Kit Installation



T30 Torx Driver

Castor Wheels Installation

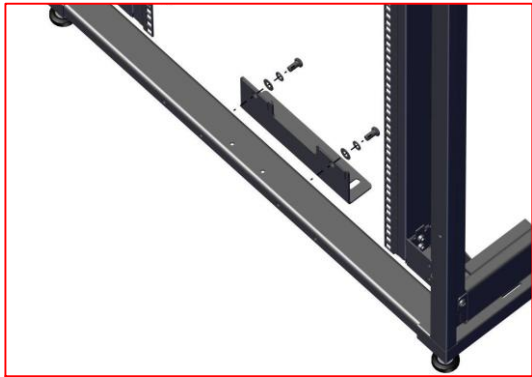
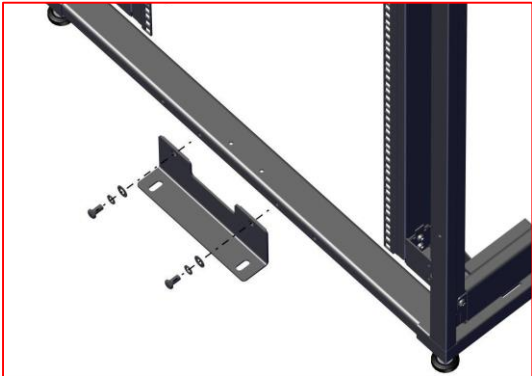


T30 Torx Driver

Bonding

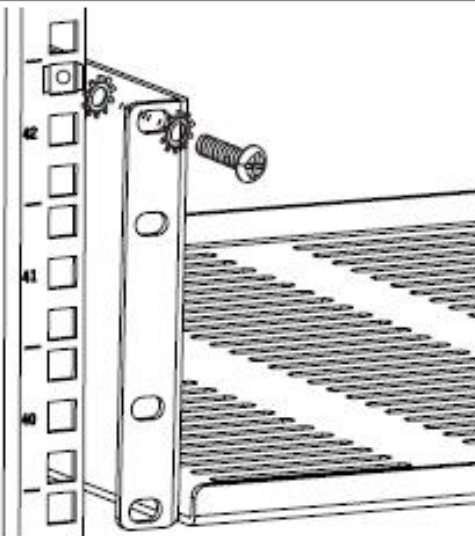
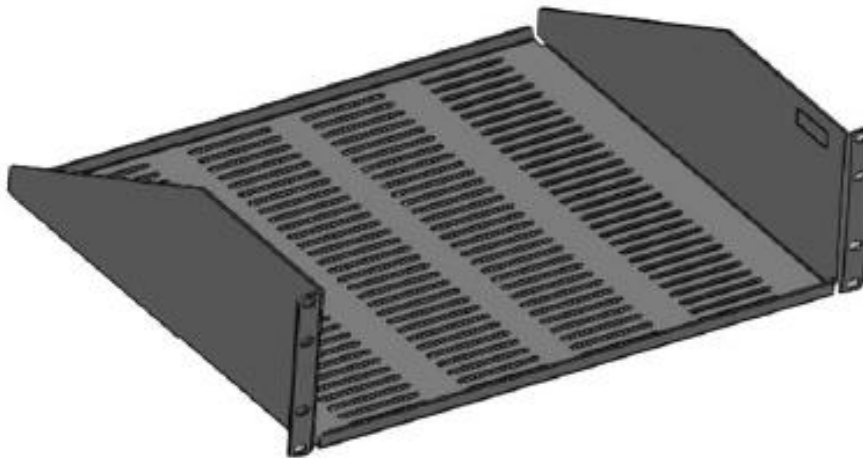


Securing Cabinet to the Floor

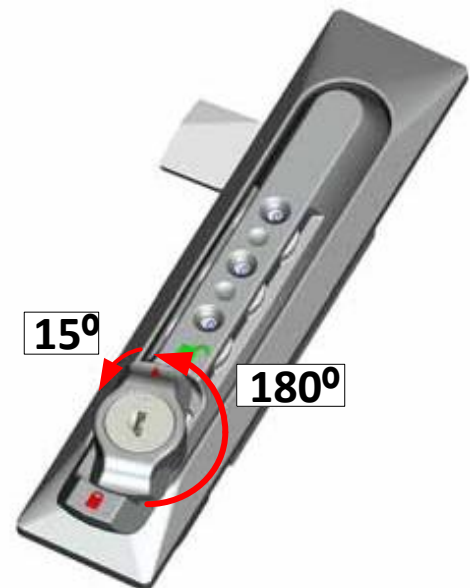


**13mm
Wrench**

Accessory Shelves - Installation Instructions



1. Safety Warning - Maximum weight load - 34 kg (75lbs).
2. Each shelf is provided with two star washers and one grounding screw.
3. Place one star washer in between shelf and cabinet rail and other star washer between shelf and ground screw.
4. Securely fasten ground screw to cabinet rail.



Lock can be opened using supplied Key or by entering the proper 3-Digit Access Code

Setting the new Access Code:

- 1. Handle must be in the Locked Position**
- 2. Enter the current Access Code – (“000” if this is a new install)**
- 3. Turn “Wing Knob 180°**
- 4. Then turn knob an additional 15° Counter-Clockwise**
- 5. Enter new 3-Digit Code**
- 6. Turn “Wing Knob” 15° Clockwise. (New Access Code is now set)**
- 7. Turn “Wing Knob” 180° Clockwise and then scramble the combination to secure the door.**

**Factory Default Code –
“000”**

