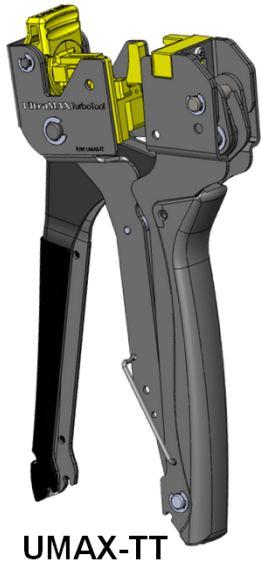
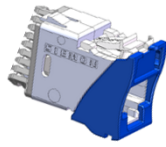


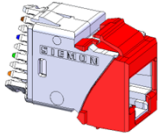
# UltraMAX TURBO TOOL Instructions



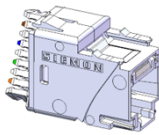
UMAX-TT



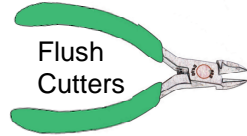
Hybrid



Keystone



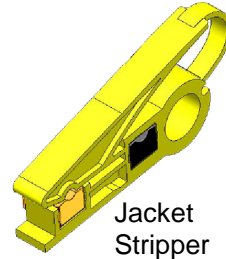
UltraMax Panel mount



Flush Cutters



Flat Screwdriver  
(Phillips – optional for cutting die replacement)



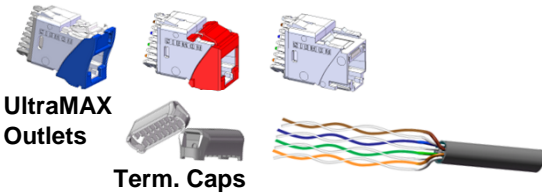
Jacket Stripper



P/N: PG2-U

UltraMAX Palm guard insert  
(optional)

## Additional Tools



UltraMAX Outlets

Term. Caps

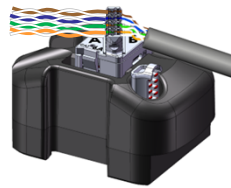


Reference UltraMAX outlet termination instructions for cable prep and lacing >>

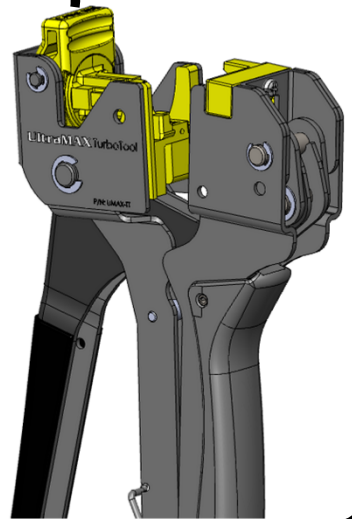


1

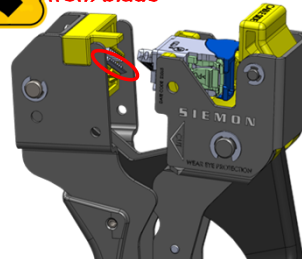
Inspect for proper lacing



Swing open tool lever to "outlet loading position"

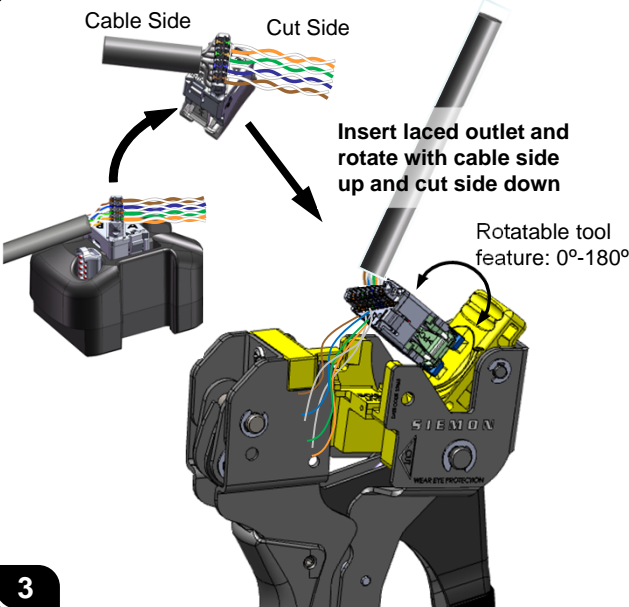


Keep fingers away from blade



2

Cable Side Cut Side

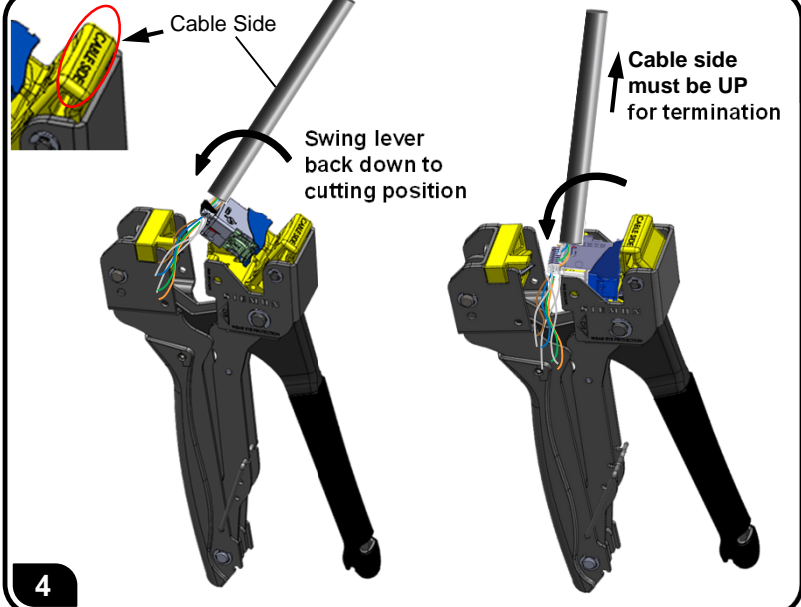


Insert laced outlet and rotate with cable side up and cut side down

Rotatable tool feature: 0°-180°

3

Cable Side



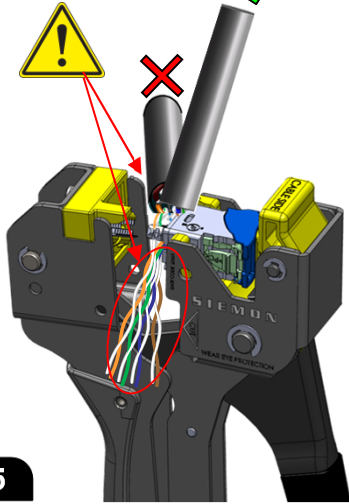
Swing lever back down to cutting position

Cable side must be UP for termination

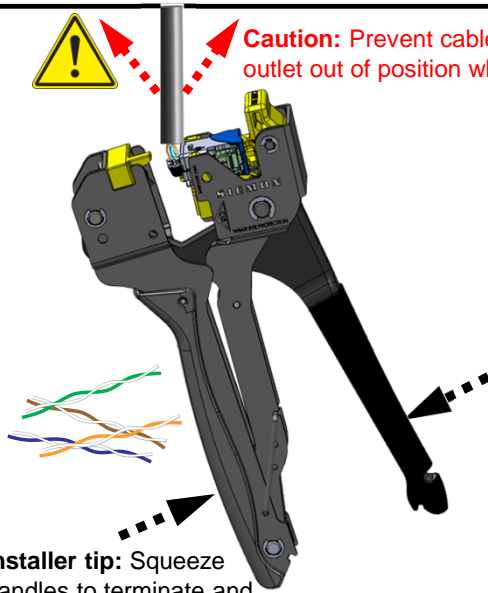
4

# UltraMAX TURBO TOOL Instructions

Check to avoid conductor or cable interference



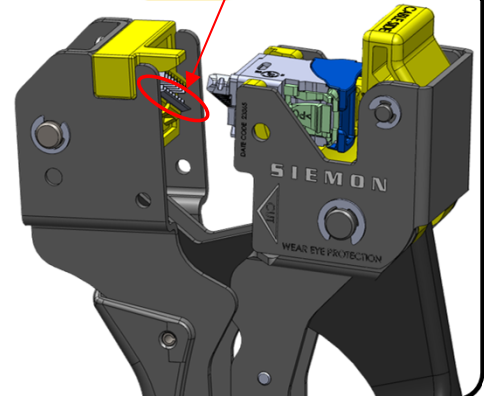
**Caution:** Prevent cable tension from skewing outlet out of position while terminating.



**Installer tip:** Squeeze handles to terminate and cut excess conductors



Keep fingers away from blade

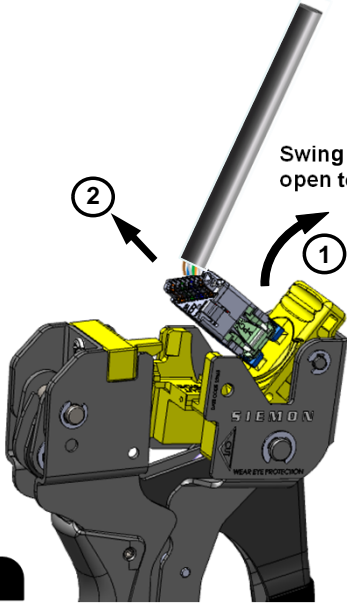


5

2

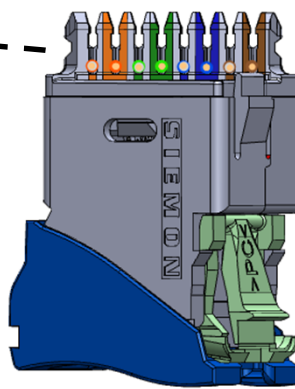
Swing lever back open to remove

1



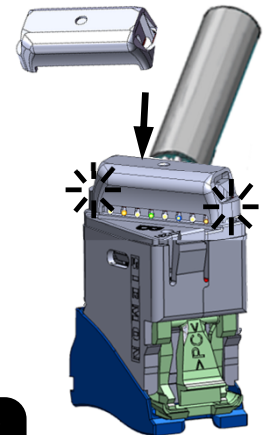
6

Inspect for proper termination



7

Install Termination cap

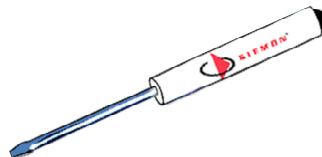
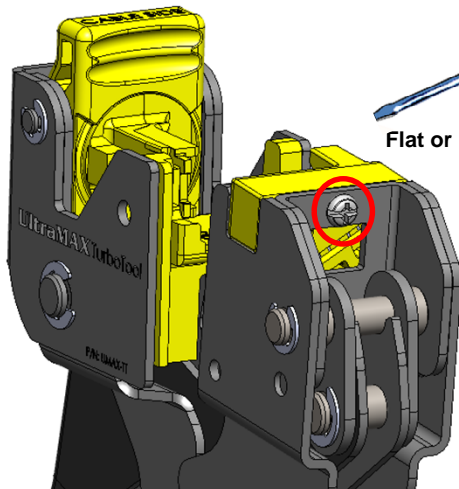


8

Blade cartridge replacement

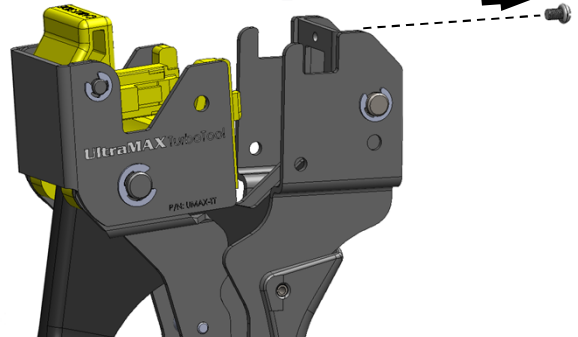
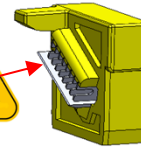
Cutting die rated for 1000 terminations under normal use.

Inspect regularly for wear and damage



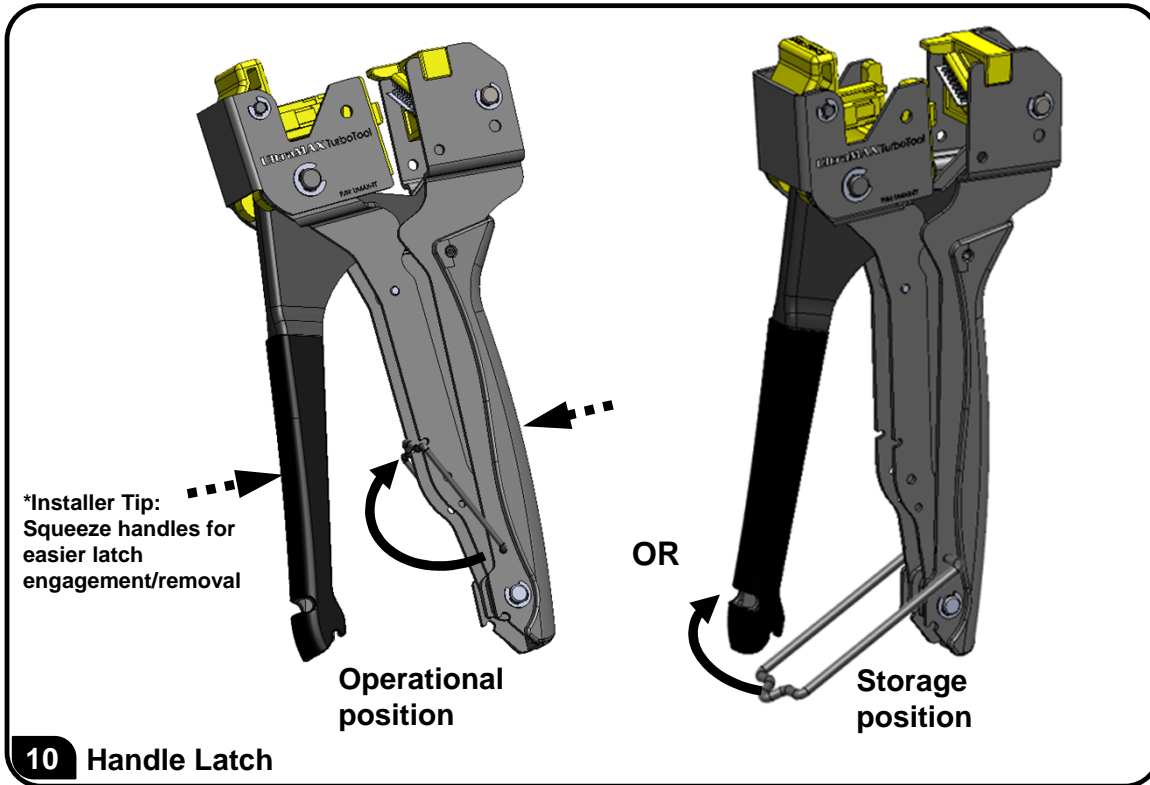
Flat or Phillips

P/N: UMAXX-TT-D



9

# UltraMAX TURBO TOOL Instructions

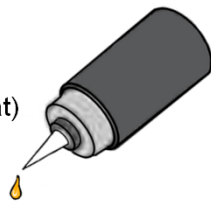


## TOOL MAINTENANCE & STORAGE

- Inspect and clean regularly (remove debris with a soft brush or lint-free cloth).
- Apply a **thin coat** of lightweight oil to pivot points and surfaces. **Do not over-oil.**
- Clean with a solvent safe for paint and plastic. Dry thoroughly, then re-lubricate with a light film of oil on pivots, bearing points, and metal surfaces for friction reduction and rust protection.
- Store in a clean, dry area.

### Recommended Oils:

- Light machine oil (e.g., 3-in-1)
- SAE 20 or 30 motor oil (thin coat)
- Mineral oil
- Rust-preventive oils
- Gun oil



For related termination videos  
and termination instructions  
with UltraMAX products go to:



<https://www.siemon.com>

### To assist safe installations, comply with the following:

- A. Use caution when installing or modifying telecommunications circuits.
- B. Never touch uninsulated wire terminals unless the circuit has been disconnected.
- C. Never install this device in a wet location.
- D. Never install wiring during a lightning storm.

### Lors de l'installation, respectez les consignes de sécurité suivantes:

- A. Utiliser avec prudence lors de l'installation ou de la modification circuits de télécommunications.
- B. Ne jamais toucher les bornes de fil métallique non isolés sauf si le circuit a été débranché.
- C. Ne jamais installer cet appareil dans un endroit humide.
- D. Ne jamais installer pendant un orage.

To ensure you have the latest  
revision to this document, please visit: [www.siemon.com](http://www.siemon.com)



Global Headquarters  
Watertown, Connecticut USA  
Tel: (1) 866-548-5814

For a complete listing of our global offices visit our web site