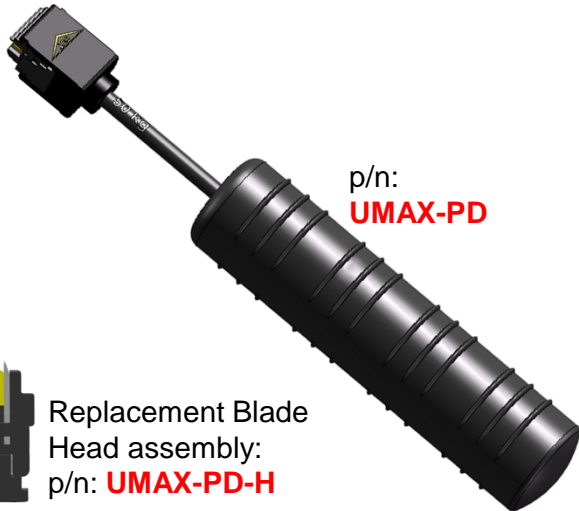


UltraMAX 4-pair Impact tool Instructions



- Terminates 4-pair category 5e, 6, and 6A conductors onto Siemon UltraMax series outlets.
- Replaceable Tool Head & blade assembly
- Invertible blade for storage
- Ergonomically designed handle
- 50 Kg spring loaded impact force. (use with caution).

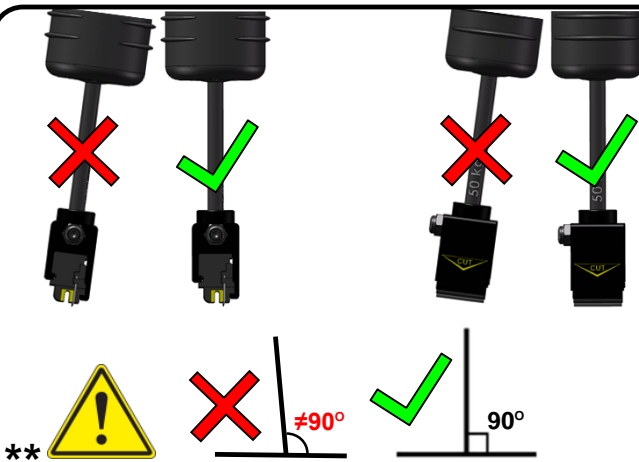
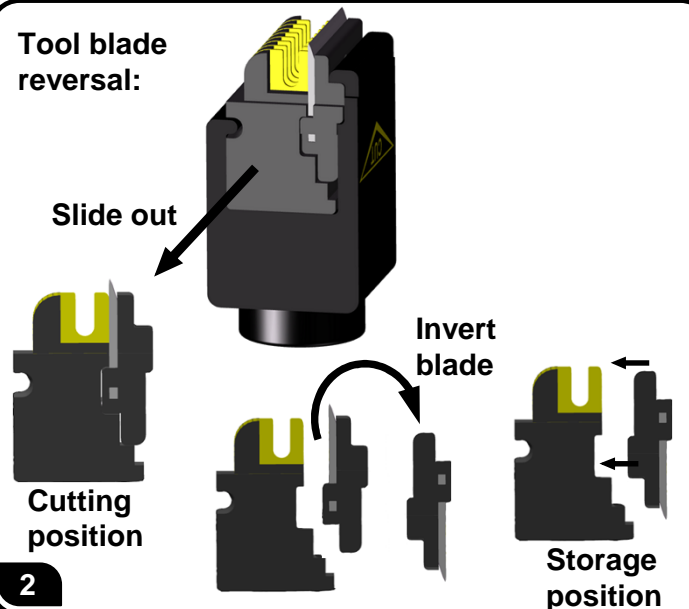


Features

Tool head attachment/removal

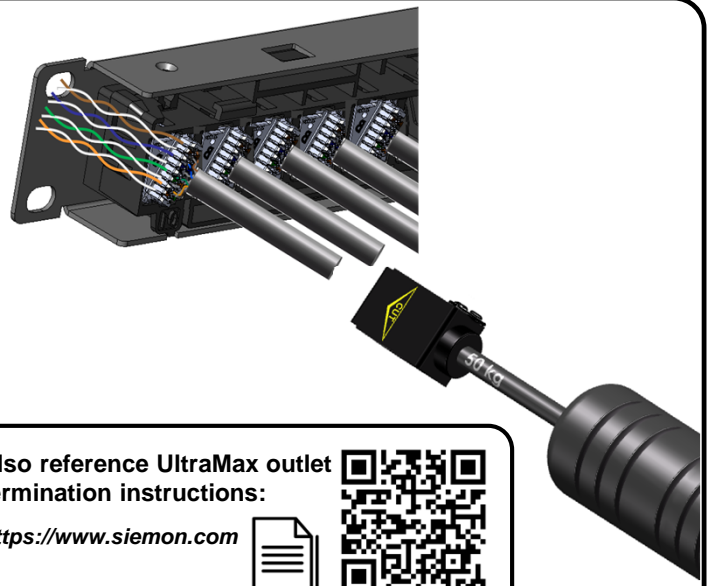


Tool blade reversal:



Align tool properly to prevent miss-terminations or outlet damage

3a Pre-loaded patch panel termination:



Also reference UltraMax outlet termination instructions:

<https://www.siemon.com>



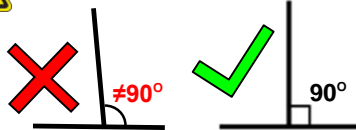
UltraMAX 4-pair Impact tool Instructions

Also reference UltraMax outlet termination instructions:

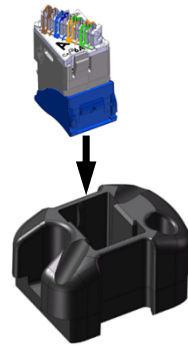
<https://www.siemon.com>



****** Align tool carefully to prevent a mis-termination and/or outlet damage

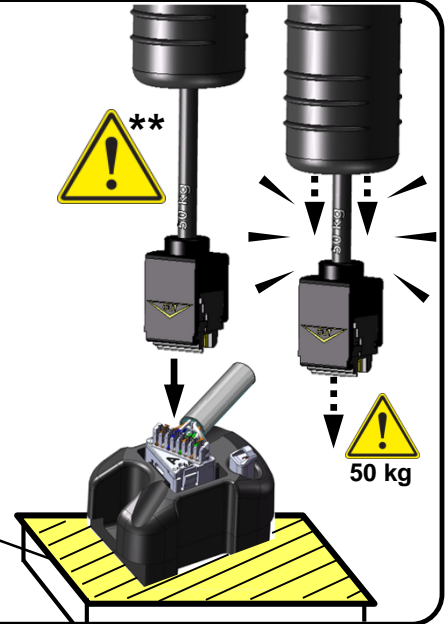


3b Non-patch panel terminations (loose outlet):



Palm guard insert
P/N: PG2-U

Required: Palm guard insert on flat stable surface



For related termination videos and termination instructions with UltraMax products go to:



<https://www.siemon.com>

To assist safe installations, comply with the following:

- A. Use caution when installing or modifying telecommunications circuits.
- B. Never touch uninsulated wire terminals unless the circuit has been disconnected.
- C. Never install this device in a wet location.
- D. Never install wiring during a lightning storm.

Lors de l'installation, respectez les consignes de sécurité suivantes:

- A. Utiliser avec prudence lors de l'installation ou de la modification circuits de télécommunications.
- B. Ne jamais toucher les bornes de fil métallique non isolés sauf si le circuit a été débranché.
- C. Ne jamais installer cet appareil dans un endroit humide.
- D. Ne jamais installer pendant un orage.

To ensure you have the latest revision to this document, please visit: www.Siemon.com



Global Headquarters
Watertown, Connecticut USA
Tel: (1) 866-548-5814

For a complete listing of our global offices visit our web site