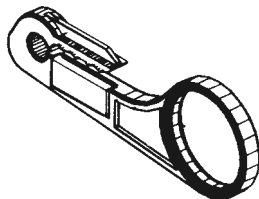


Cable Tool Instructions CPT



101 Simon Company Drive
Watertown, CT 06795-0400
Phone 860-945-4200
Fax 860-945-4225

100.3079
Rev. C 7/04

The Siemon Company Cable Preparation Tool (CPT) provides a simple and effective method of stripping the outer jacket from 2-, 3- and 4-pair cable without damaging the inner conductor insulation.

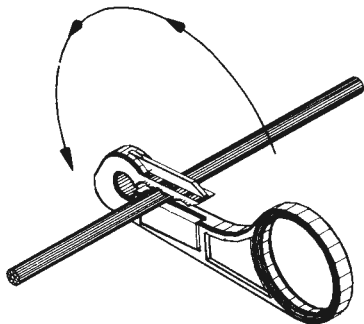


Figure 1

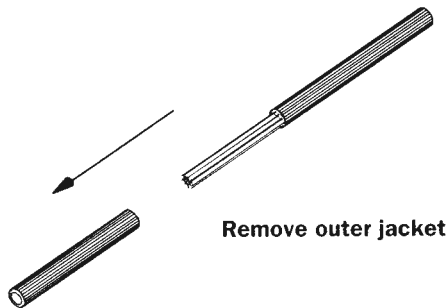


Figure 2

1. Determine the length of jacket to be removed and insert cable into the stripping area as shown in figure 1.
2. With index finger through hole, rotate the tool around the cable at least one full revolution.
3. Remove the tool and pull the outer jacket from the free end of the cable