

The Siemon Company Cable Preparation Tool (CPT-WEB) provides a simple and effective method of stripping the outer jacket from 2-, 3- and 4-pair cable without damaging the inner conductor insulation. It also provides a special feature to straighten and separate adjoining conductors of a twisted-pair when using Belden's DataTwist® 350 cable.

1. Determine the length of jacket to be removed and insert cable into the stripping area as shown in figure 1.
2. With index finger through hole, rotate the tool around the cable at least one full revolution.

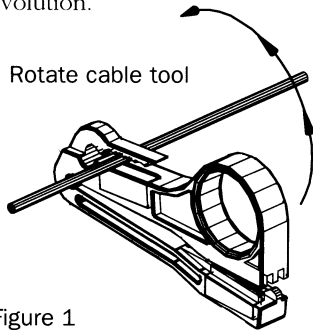


Figure 1

3. Remove the tool and pull the outer jacket from the free end of the cable.

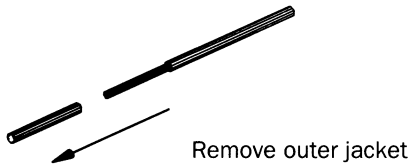


Figure 2

4. Insert approximately 1" (25 mm) of an adjoining twisted-pair into slot 1 (no blade) as shown in Figures 3&4. Squeeze the cable tool closed using thumb and index finger. While clamping the pair between twists, pull the tool and cable in opposite directions. This operation removes the twists from the pair; however, it may be necessary to completely straighten the last twist by hand prior to separation.

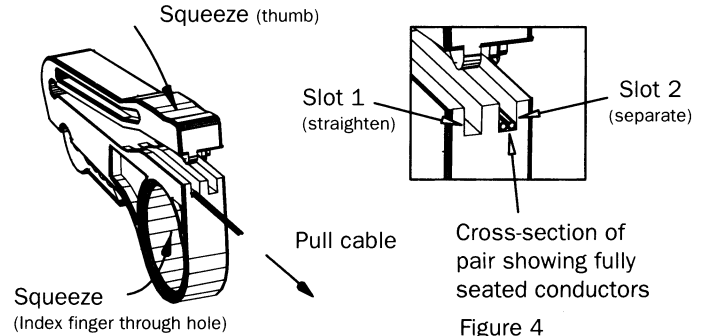


Figure 3

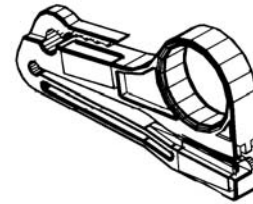
5. Insert the straightened length of pair into the slot 2 making sure the pair is fully seated as shown in Figure 4. While squeezing the tool closed, pull the tool and cable in opposite directions. If resistance is felt during this operation, do not force. Release the tool and reposition the pair within the slot. Misalignment of the pair may result in blade damage and reduced tool life. If performed properly, the adjoining conductors will now be separated and ready for termination (See Figure 5).



Separated conductors

Figure 5

Cable Tool Instructions CPT-WEB



101 Siemon Company Drive
Watertown, CT 06795-0400 USA
Phone (860) 945-4200
Fax (860) 945-4225

100.3080
10/04 Rev C