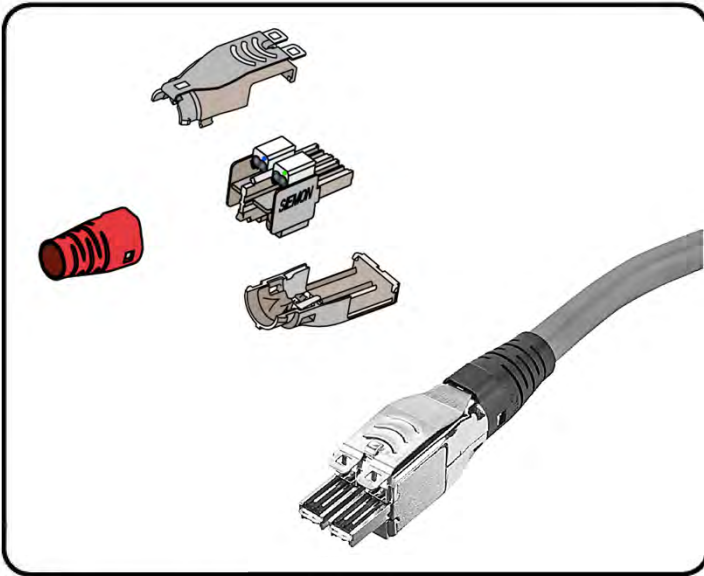
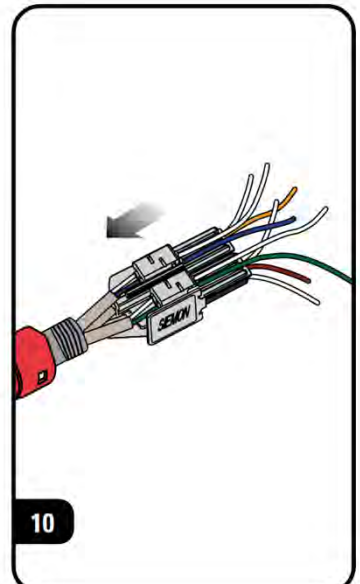
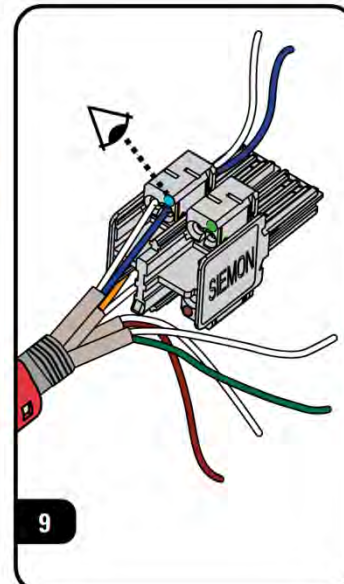
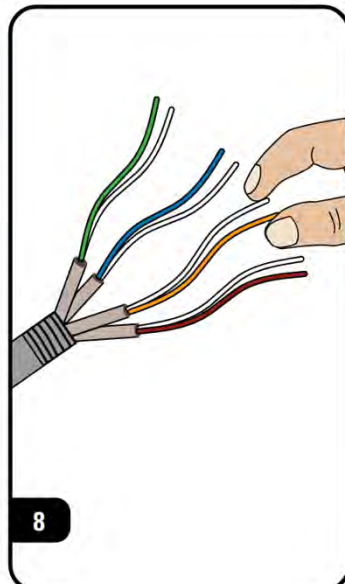
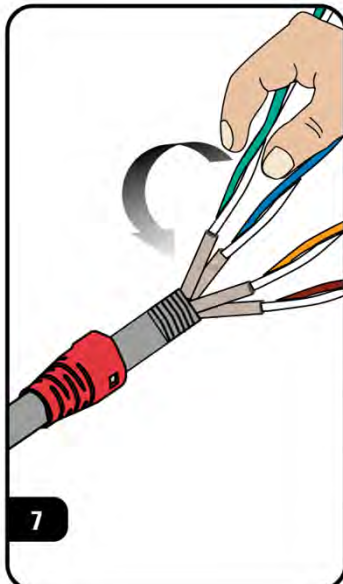
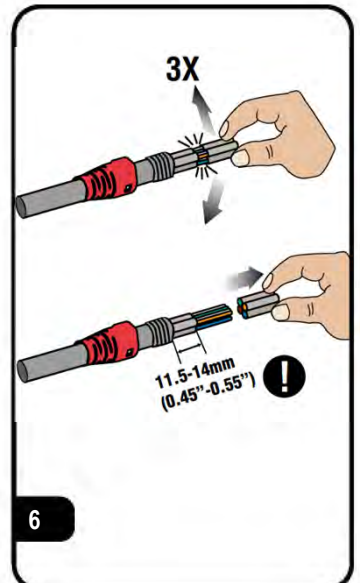
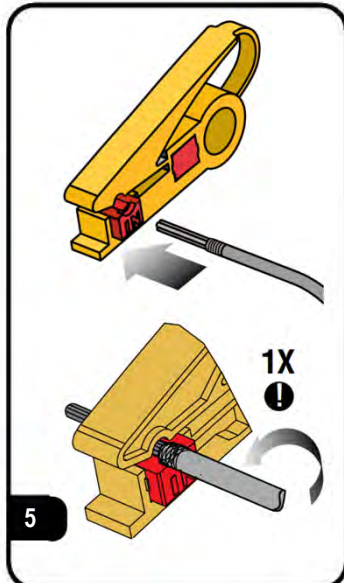
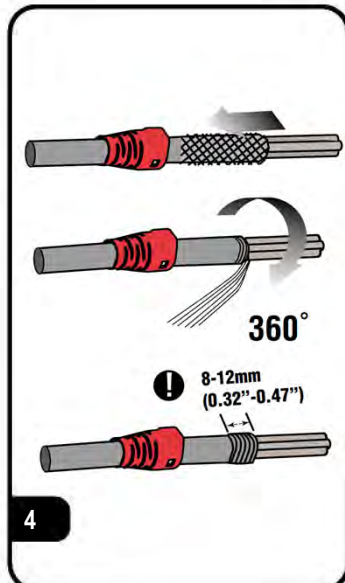
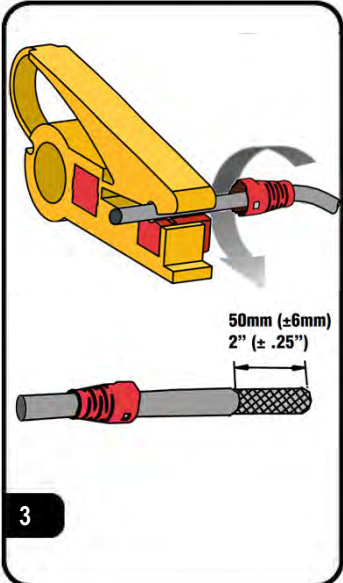
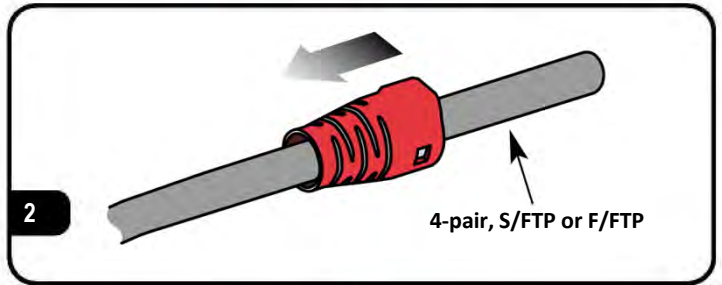


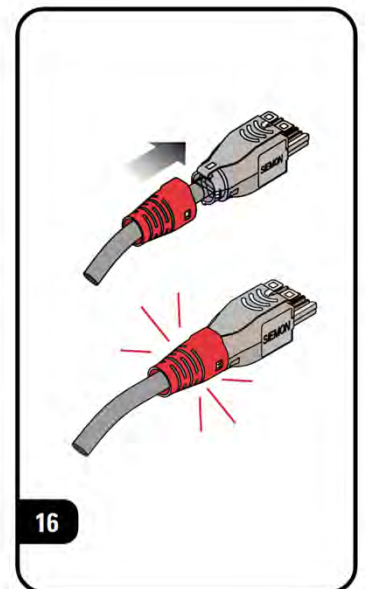
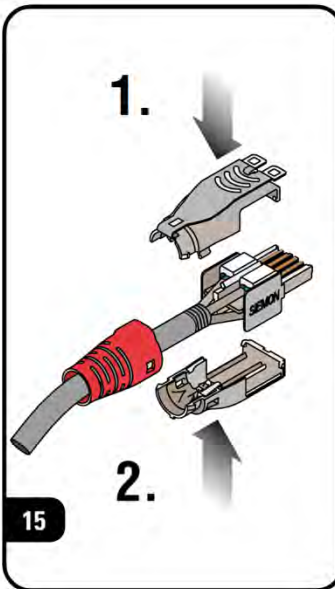
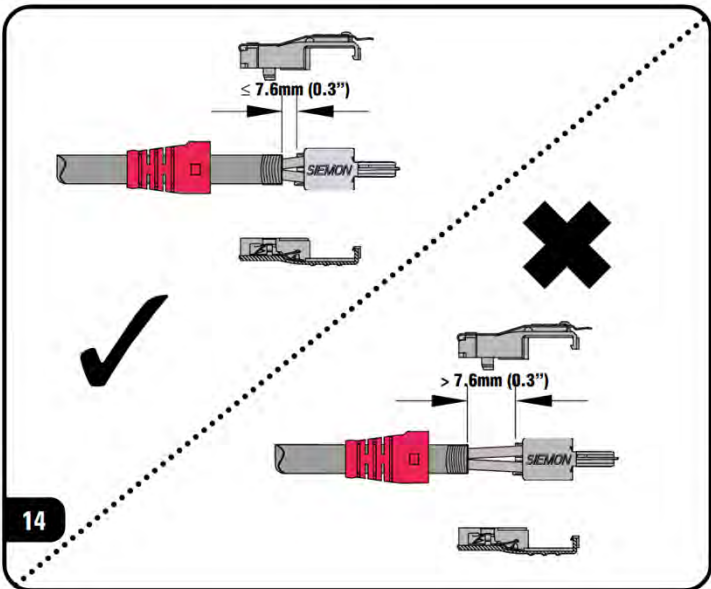
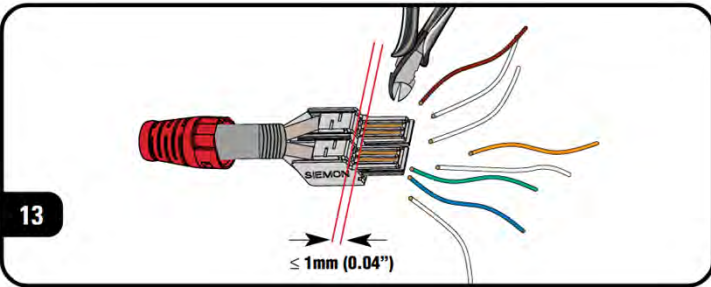
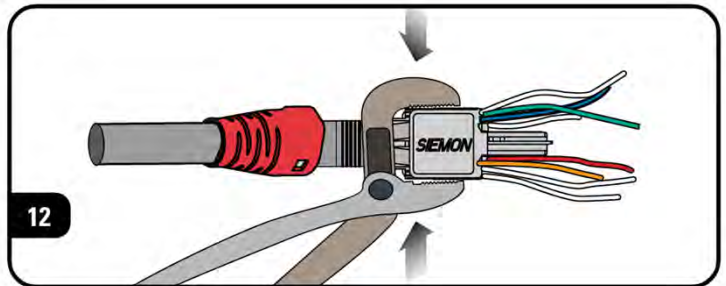
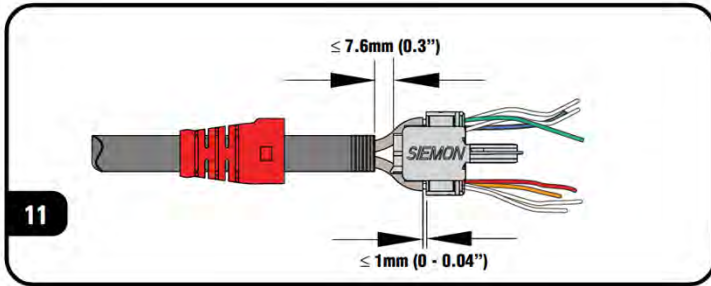
# TERA<sup>®</sup>, 4-pair Plug Instructions



**Part Numbers:**  
**T7P4-B(XX)-1**.....Compatible with 0.64 – 0.51mm (22 – 24 AWG) solid  
**T7P4-B(XX)-2**..... Compatible with 0.48mm (26 AWG) stranded  
 (XX) = boot color: 01 = black, 02 = white, 03 = red, 05 = yellow, 06 = blue, 07 = green



# TERA<sup>®</sup>, 4-pair Plug Instructions



**To assist safe installations, comply with the following:**

- A. Use caution when installing or modifying telecommunications circuits.
- B. Never touch uninsulated wire terminals unless the circuit has been disconnected.
- C. Never install this device in a wet location.
- D. Never install wiring during a lightning storm.



**Global Headquarters**  
Watertown, Connecticut USA  
Tel: (1) 866-548-5814

For a complete listing of our global offices visit our web site

