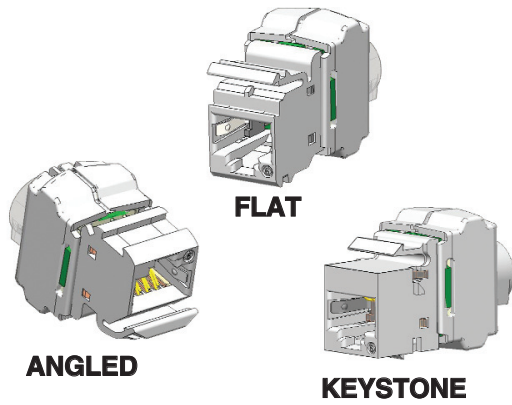
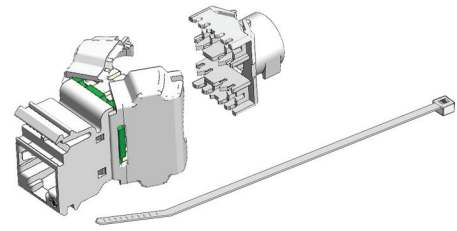


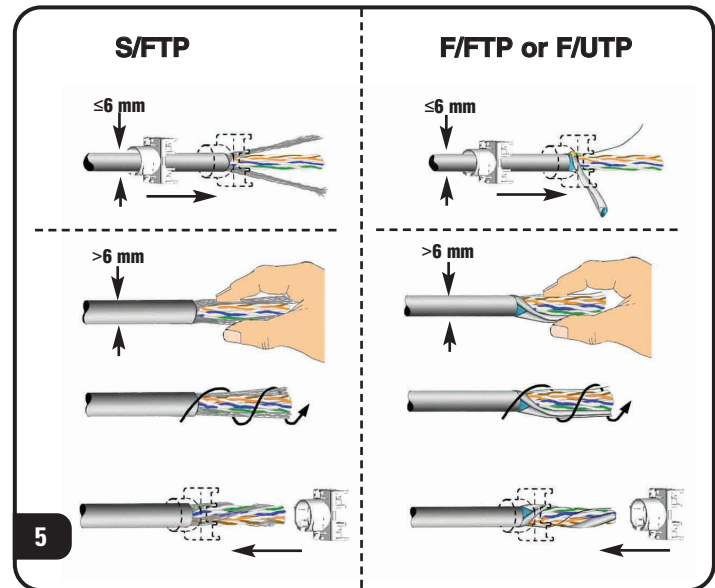
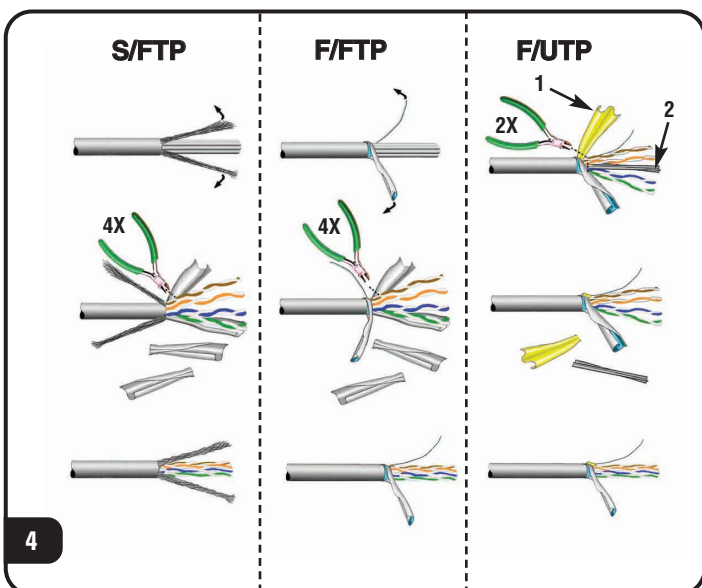
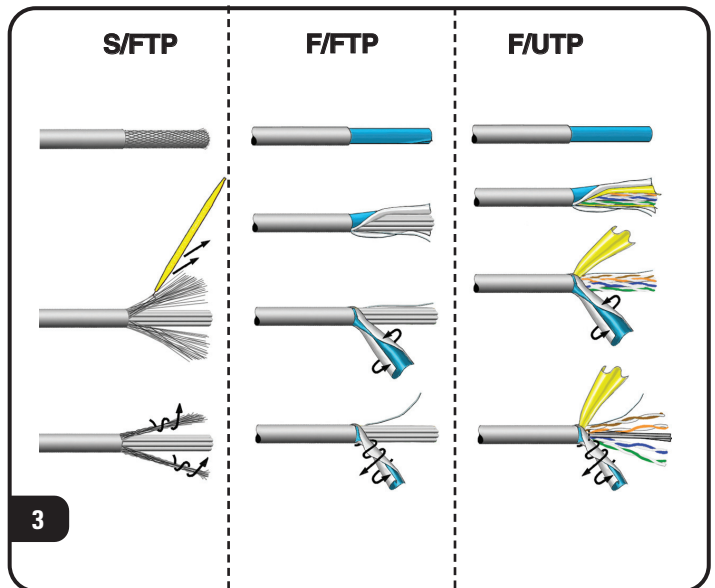
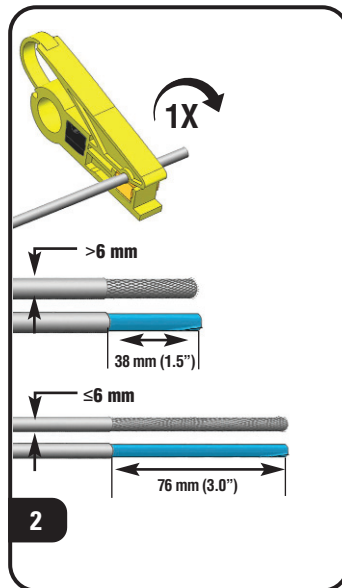
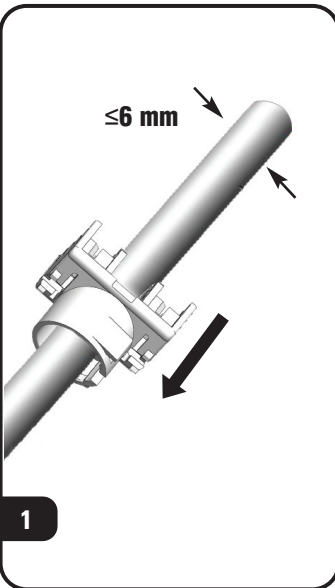
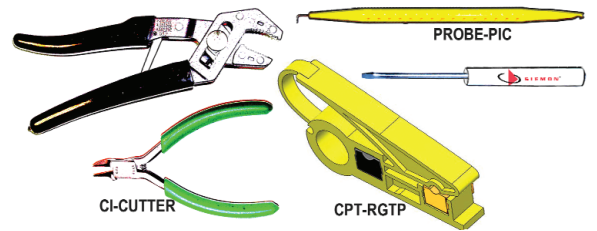
Screened MAX[®] Module Instructions



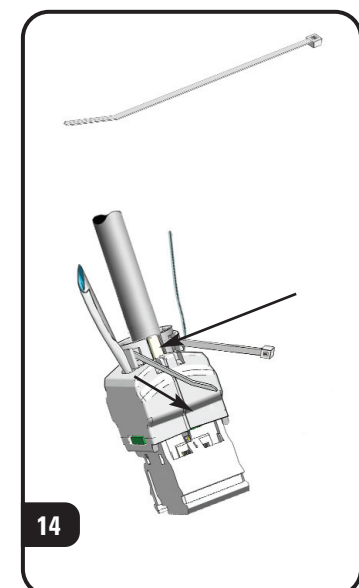
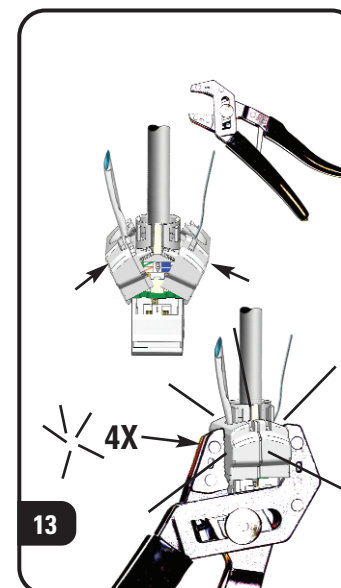
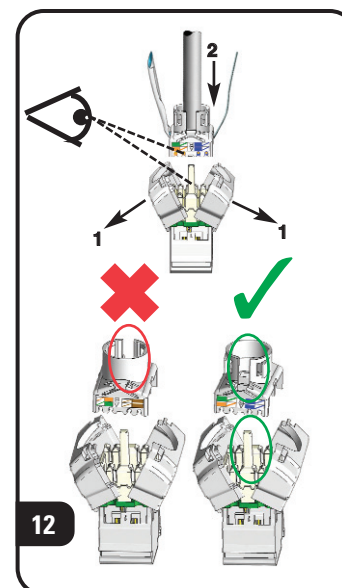
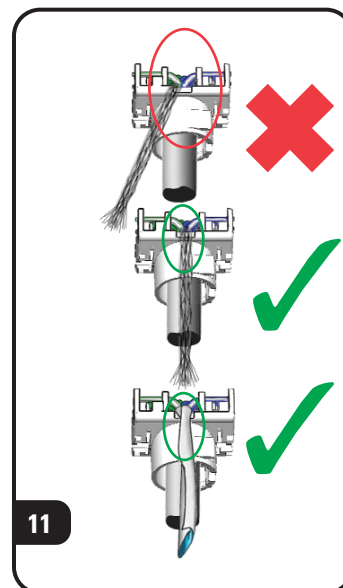
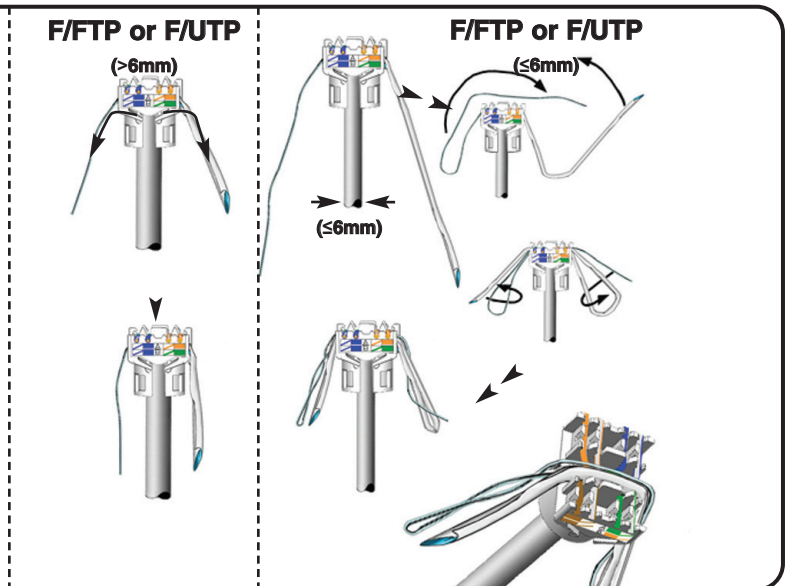
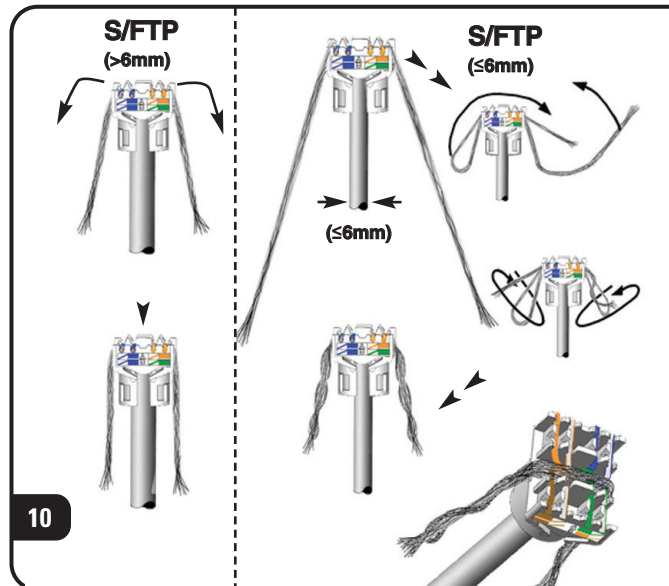
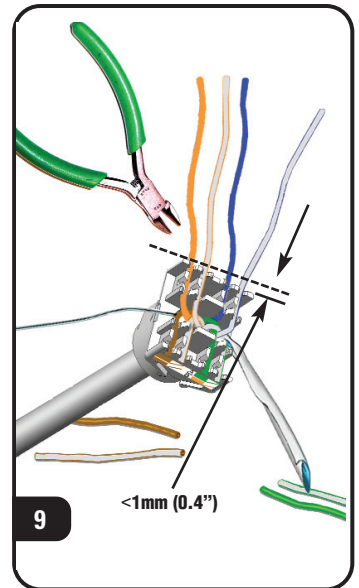
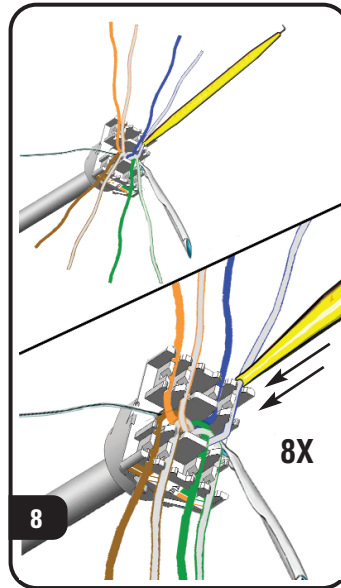
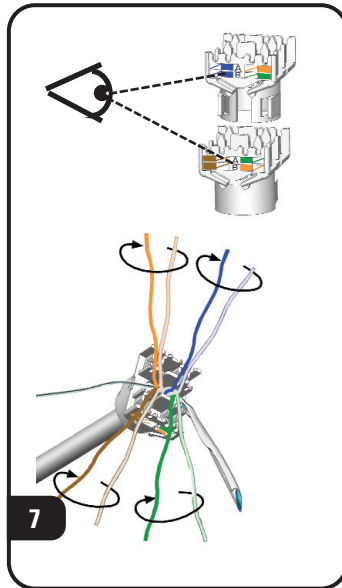
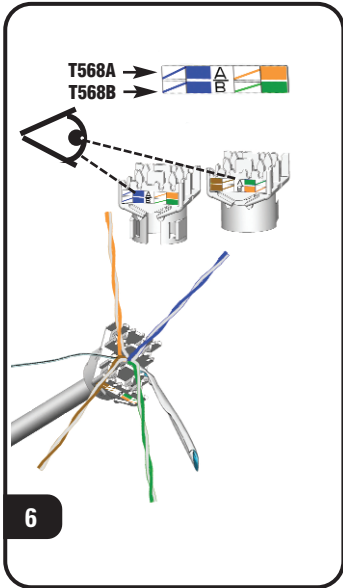
PARTS



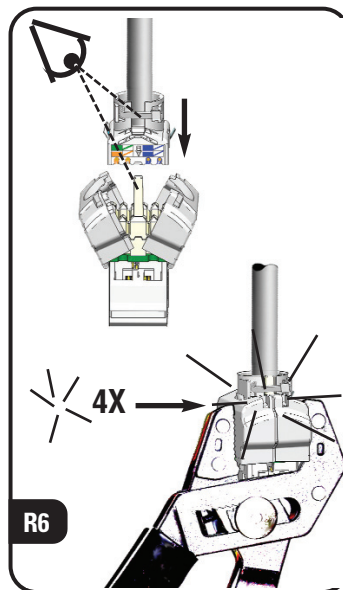
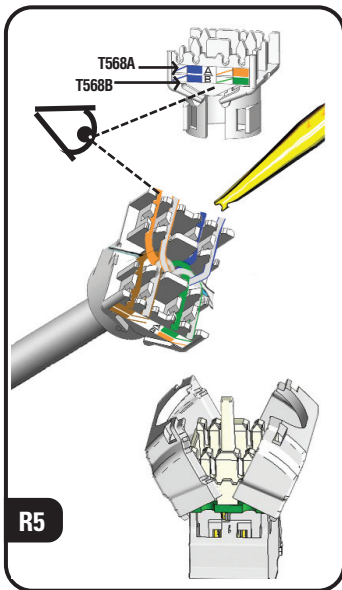
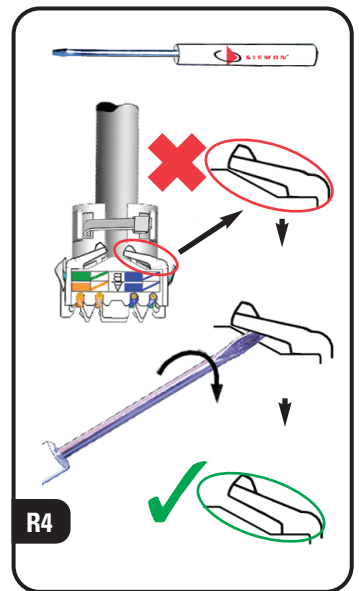
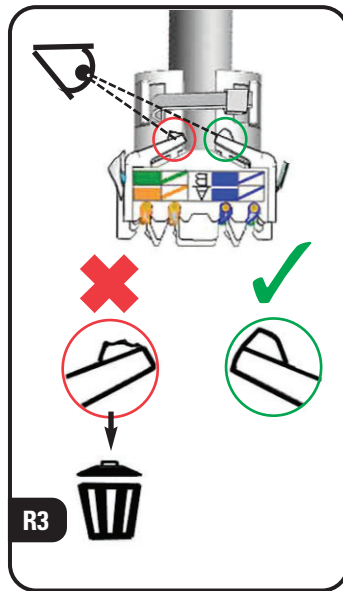
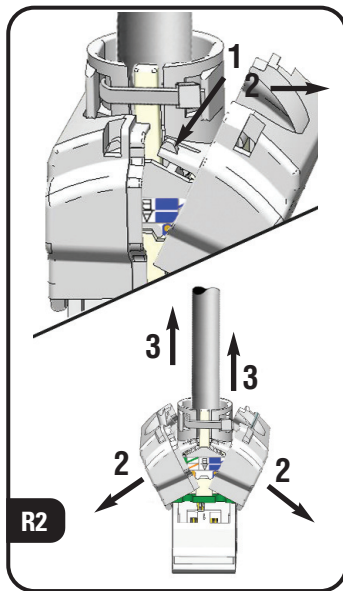
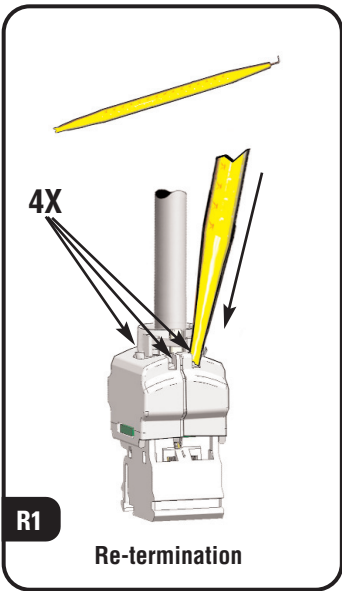
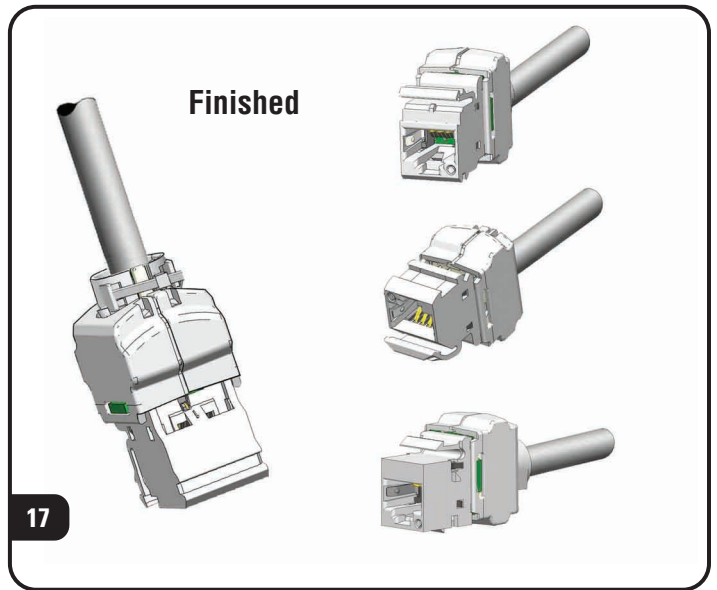
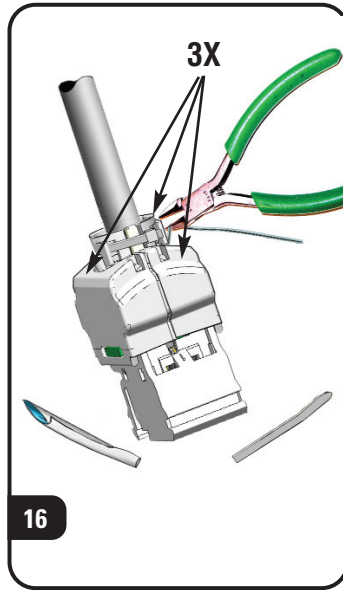
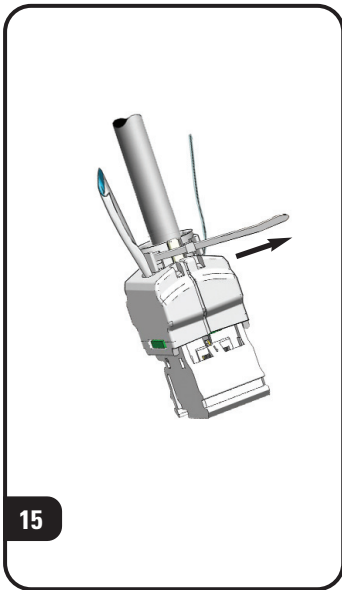
TOOLS



Screened MAX[®] Module Instructions



Screened MAX[®] Module Instructions



Screened MAX[®] Module Instructions

To assist safe installations, comply with the following:

- A. Use caution when installing or modifying telecommunications circuits.
- B. Never touch uninsulated wire terminals unless the circuit has been disconnected.
- C. Never install this device in a wet location.
- D. Never install wiring during a lightning storm.



Siemon — Australia

Sydney, Australia
Tel: (61) 2 9452 2666

Siemon — CASA Central & South America

Bogota, Columbia
Tel: (011) 571 317 2121

Siemon — China

Beijing, P.R. China
Tel: (86) 10 6559 8860

Siemon — France

Paris, France
Tel: (33) 1 46 46 11 85

Siemon — Germany

Frankfurt, Germany
Tel: (49) (0) 69 97168 184

Siemon — Italy

Milano, Italy
Tel: (39) 02 64 672 209

Siemon — Japan

Tokyo, Japan
Tel: (03) 5437 1580

Siemon — Southeast Asia

Singapore
Tel: (65) 345 9119

Siemon — UK

Surrey, England
Tel: (44) (0) 1932 571771

Siemon — North America

Watertown, Connecticut
Tel: (1) 866-548-5814

