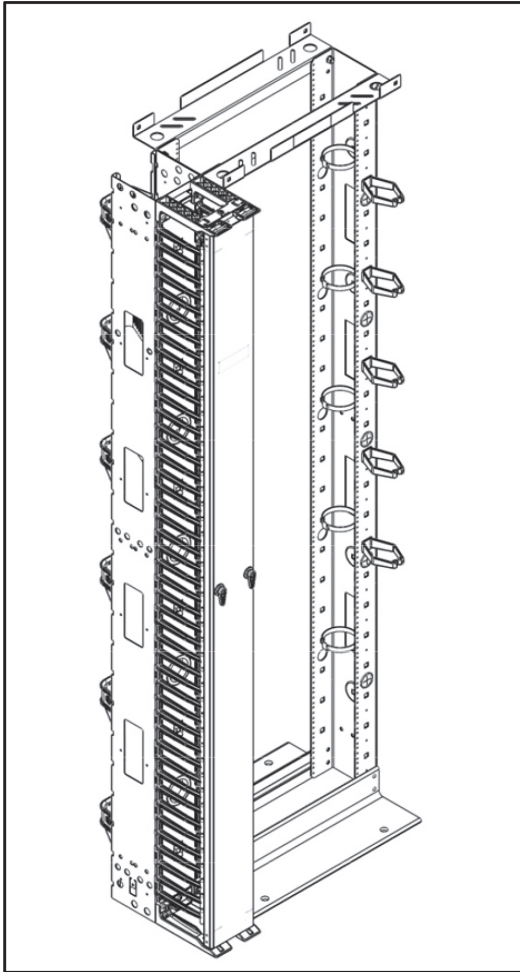


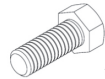
VPCA Installation Instructions



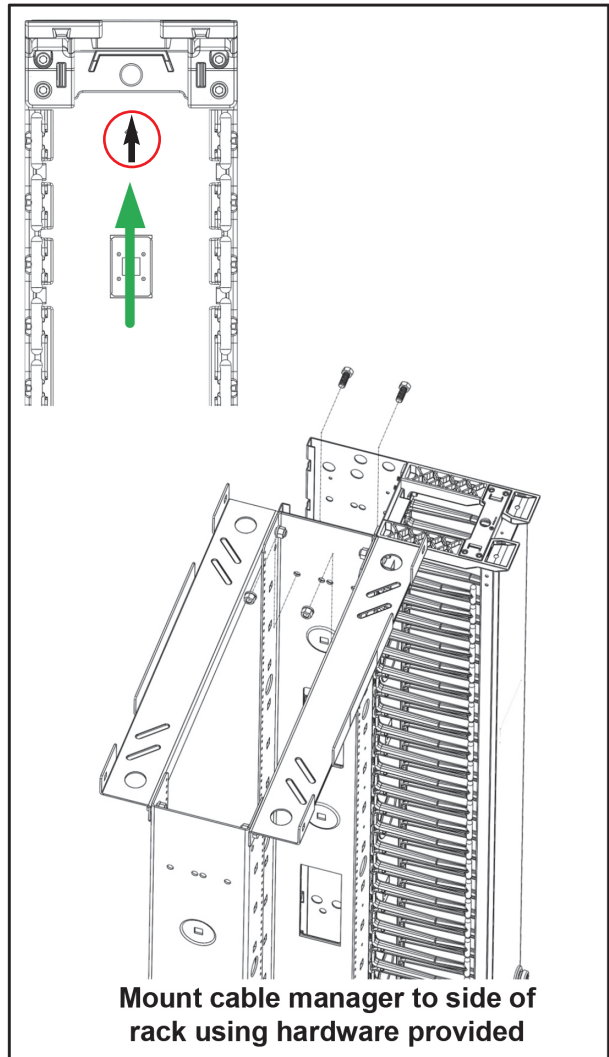
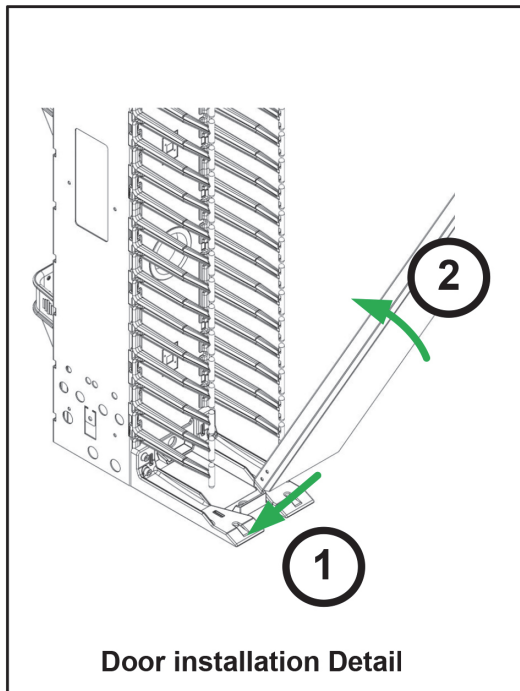
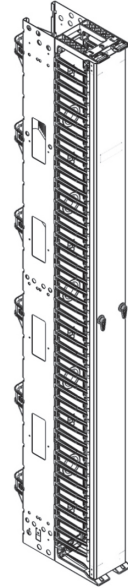
Parts:

- 1 – Vertical Manager
- 1 – Door Assembly
- 12 – 3/8-16x1 Bolts
- 12 – 3/8 16 Hex Nuts
- 12 – 3/8 Lock Washers

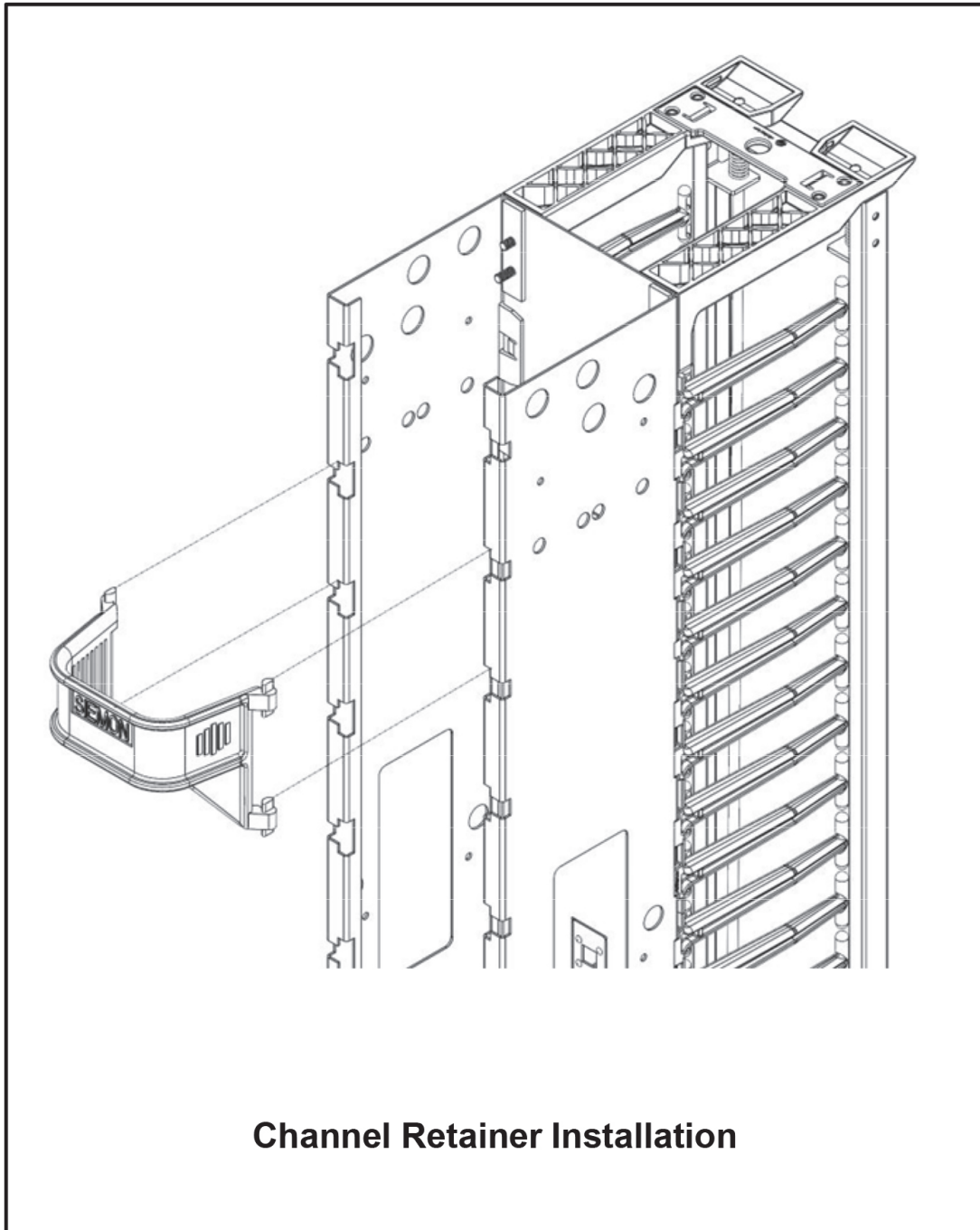
Tools Required:
9/16 in Socket Wrench



X12



VPCA Installation Instructions



Channel Retainer Installation

INS_100.22042.00 (VPCA) A Rev. A 9/14

© 2014 Siemon

Global Headquarters
Watertown, Connecticut USA
Tel: (1) 866-548-5814

For a complete listing of our global offices visit our web site

