

# Value Vertical Cable Manager Instructions

**Double-sided**      **Single-sided**

**4 widths available**

4 in. 102 mm	6 in. 152 mm	10 in. 254 mm	12 in. 305 mm
-----------------	-----------------	------------------	------------------

**Divider plates**

RS1-07-S series rack  
(Double-Sided 6 in. version shown throughout)

**Parts:**  
 4 – Manager fingers  
 4 – Doors (double-sided ver.)  
 12 – 3/8" -16x1" bolts  
 12 – 3/8" Hex nuts  
 12 – lock washers  
 12 – flat washers

**Tools:**  
 - 9/16" socket wrench  
 - Small flat screwdriver  
 - Philips screwdriver

**Optional end of row accessories:**  
 End of row panels (for single or double-sided)  
 2 – Covers  
 4 – #8 x 1/2" Philip screws  
 \*6 – 3/8" -16x1" bolts  
 \*6 – 3/8" Hex nuts  
 \*Included with manager

**Anchoring Bracket for top & bottom (end of row stability)**  
 1 – Bracket  
 2 – #8 x 1/2" Philips head screws

VCM1A-SP(X)-1-45

VCM1A-BRKT-1

**Parts**      See page 4 for divider plate attachments (also sold separately)

RS1-07-S series

**1**

THIS END UP

**2**

Use small holes

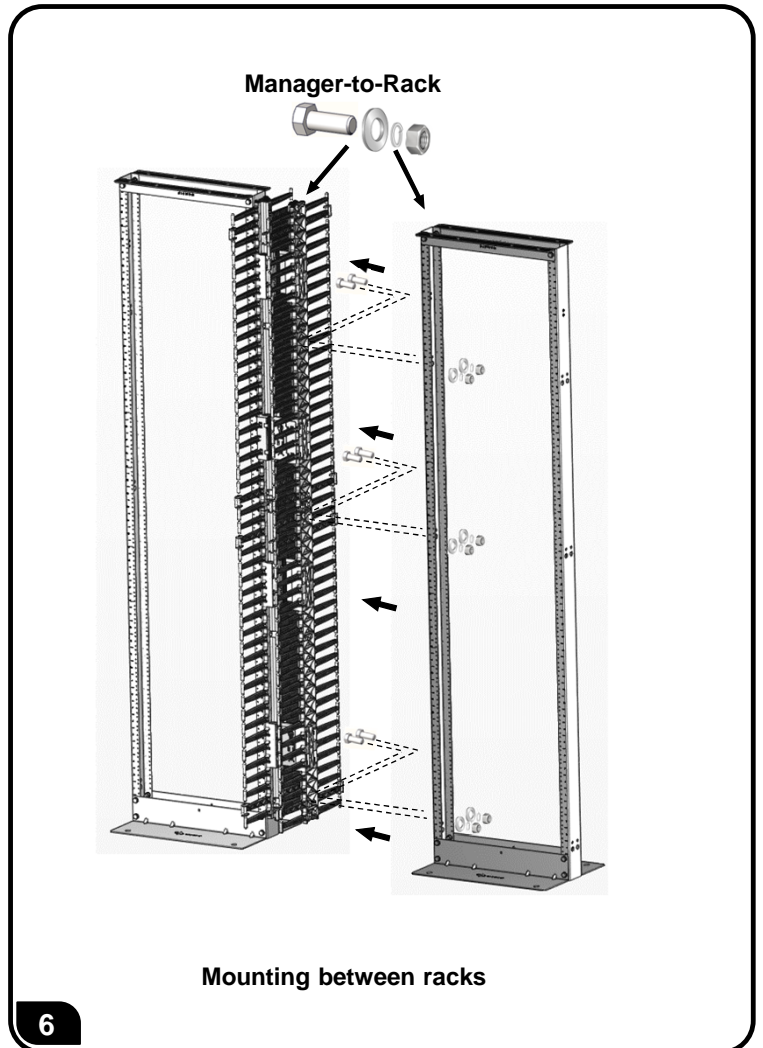
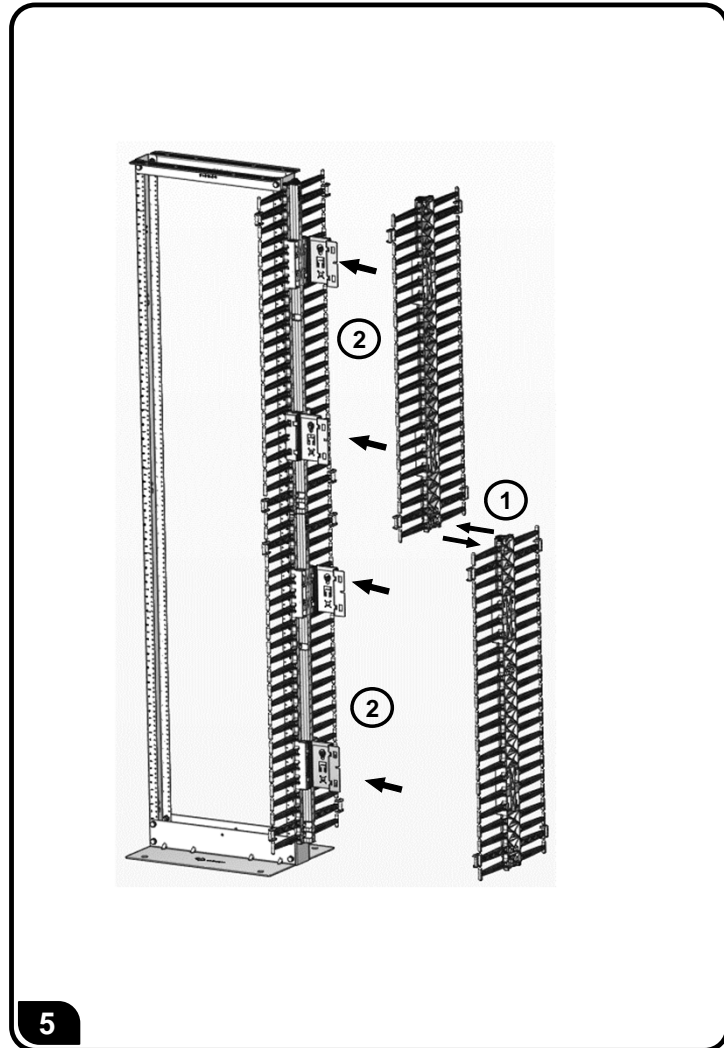
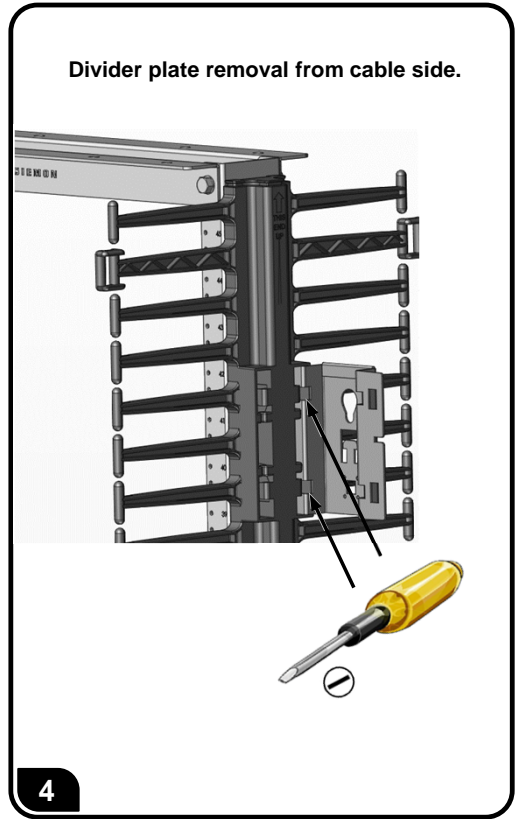
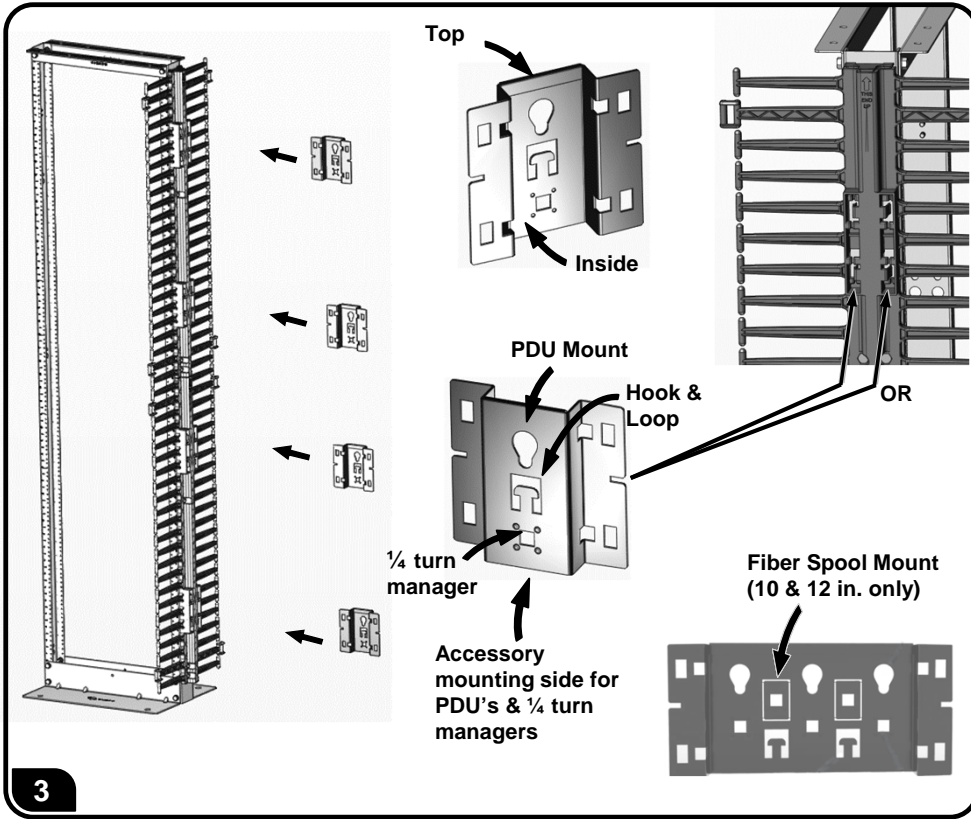
9/16" socket wrench

**1**

**2**

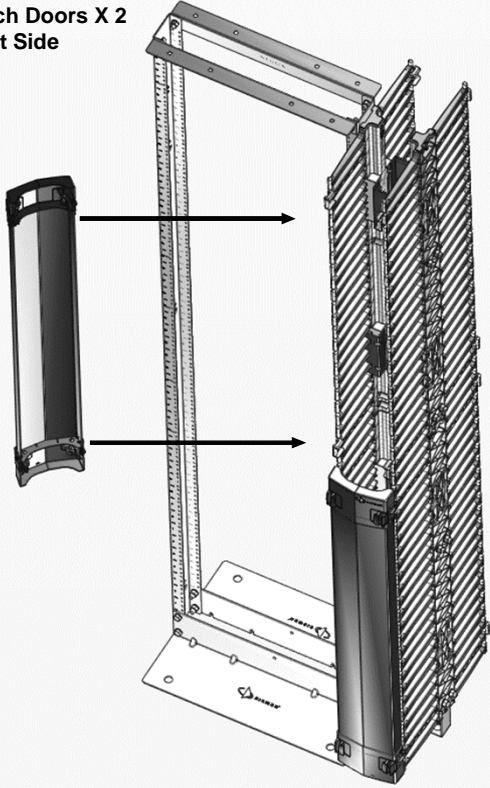
**3**

# Value Vertical Cable Manager Instructions



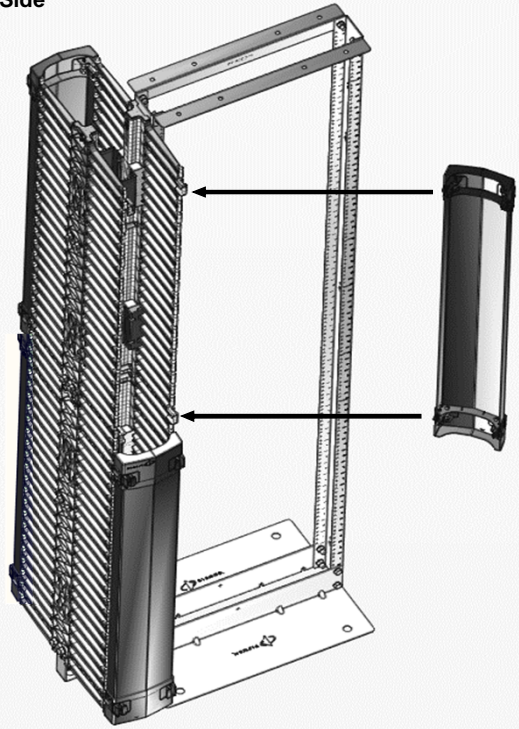
# Value Vertical Cable Manager Instructions

Attach Doors X 2  
Front Side



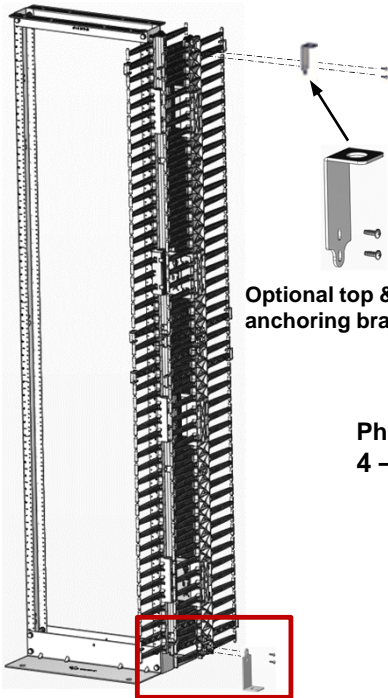
7

Attach Doors X 2  
Rear Side



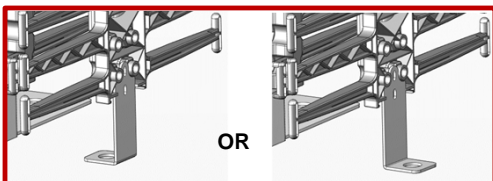
8

## End Of Row Accessories (sold separately)



Optional top & bottom  
anchoring bracket

Philips Screwdriver  
4 - #8 x 1/2" screws



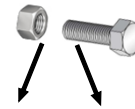
OR

Attachment options for top and  
bottom anchoring brackets

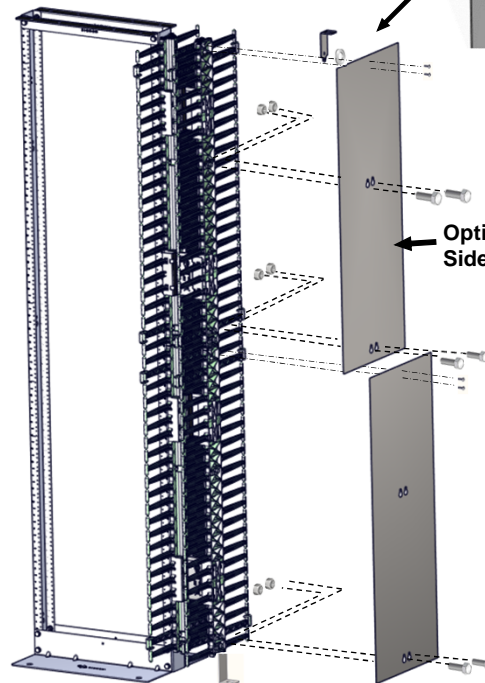
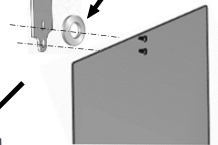
9

## Manager-to-Side Panel

9/16" socket  
wrench



Use washer  
to fill gap (top  
anchor only)



Optional  
Side Panels

# Value Vertical Cable Manager Instructions

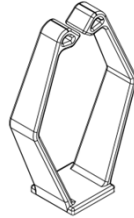
## Divider plate accessories (sold separately)



VCM-(XX)-(XX)



RS-VCM



RS-CH



VP-SPL

### To assist safe installations, comply with the following:

- A. Use caution when installing or modifying telecommunications circuits.
- B. Never touch uninsulated wire terminals unless the circuit has been disconnected.
- C. Never install this device in a wet location.
- D. Never install wiring during a lightning storm.

### Lors de l'installation, respectez les consignes de sécurité suivantes:

- A. Utiliser avec prudence lors de l'installation ou de la modification circuits de télécommunications.
- B. Ne jamais toucher les bornes de fil métallique non isolés sauf si le circuit a été débranché.
- C. Ne jamais installer cet appareil dans un endroit humide.
- D. Ne jamais installer pendant un orage.

To ensure you have the latest  
revision to this document, please visit: [www.Siemon.com](http://www.Siemon.com)



**Global Headquarters**  
Watertown, Connecticut USA  
Tel: (1) 866-548-5814

For a complete listing of our global offices visit our web site