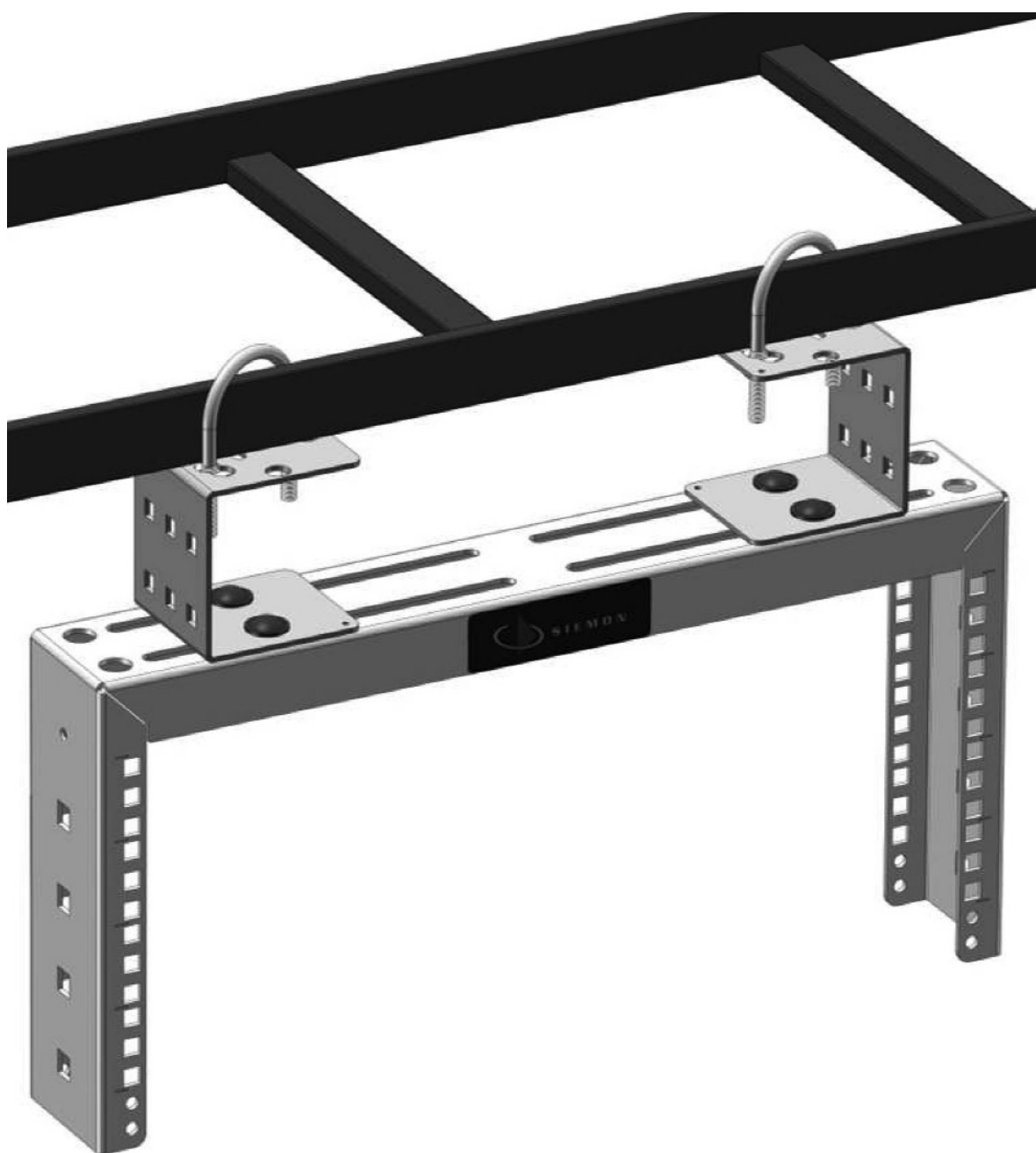


LADDER TRAY RACK INSTALLATIONS



SIEMON™

www.siemon.com

Table of Contents

Safety Information3
CTR Diagram4
Hardware5
Below Tray Installation – Parallel – Ladder Mounted6
Below Tray Installation – Parallel – Rail Mounted7
Side Wall Installation8
Rack Bonding9
Notes10



WARNING: Failure to follow this information can result in injury or death.



CAUTION: Failure to follow this information can lead to possible equipment damage.



NOTE: Clarifying information or comment.

Safety Information

- Read and understand all instructions for proper installation and use of this product as improper use may lead to serious injury or death

Before loading equipment on to the cable tray rack, be sure to torque all mounting hardware provided with the rack to a setting of 75in-lbs.

- The maximum load capacity of the cable tray rack should not exceed:

CTR-02-01 - 9kg (20lbs)

CTR-04-01 - 8kg (40lbs)

CTR-06-01 - 27kg (60lbs)

- The cable tray racks are intended to be installed in accordance with all applicable requirements of the National Electrical Code (NEC) and the local Authority Having Jurisdiction (AHJ).
- The minimum spacings between the accessories and components and the cable tray rack shall be maintained for safe operation of the equipment when installed in accordance with the NEC.

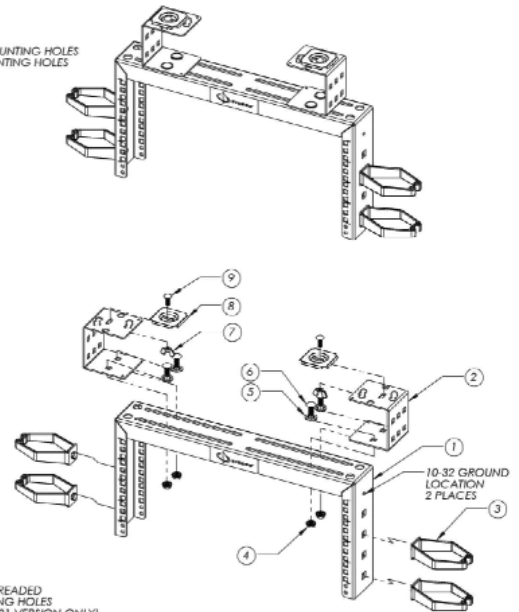
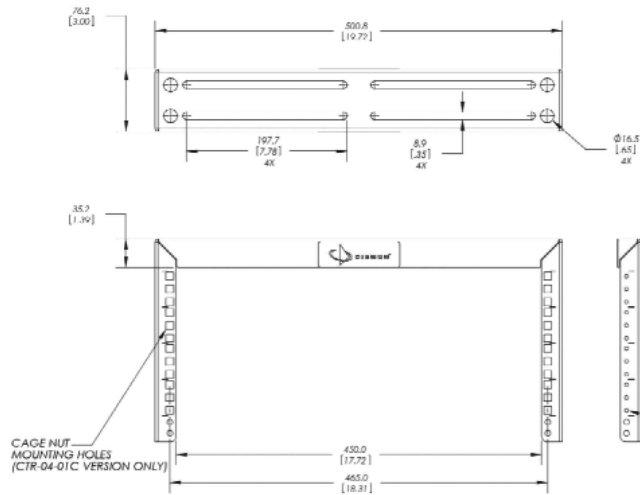
CTR-04-01 Diagram

DRAWING

ITEM NO.	DESCRIPTION	QTY.
1	CABLE TRAY RACK FRAME, 4U	1
2	CABLE TRAY RACK MOUNTING BRACKET	2
3	PLASTIC CABLE HANGERS	4
4	FLANGE NUT	4
5	LOCKING TOOTH WASHER	4
6	CARRIAGE BOLT - LARGE	4
7	WING NUT	2
8	CABLE TRAY WASHER SPLICE - LARGE	2
9	CARRIAGE BOLT - SMALL	2
10	CABLE TRAY WASHER SPLICE - SMALL (NOT SHOWN)	2
11	GROUND LUG (NOT SHOWN)	1
12	CAGE NUTS (NOT SHOWN - CTR-04-01C VERSION ONLY)	16
13	INSTRUCTIONS (NOT SHOWN)	1

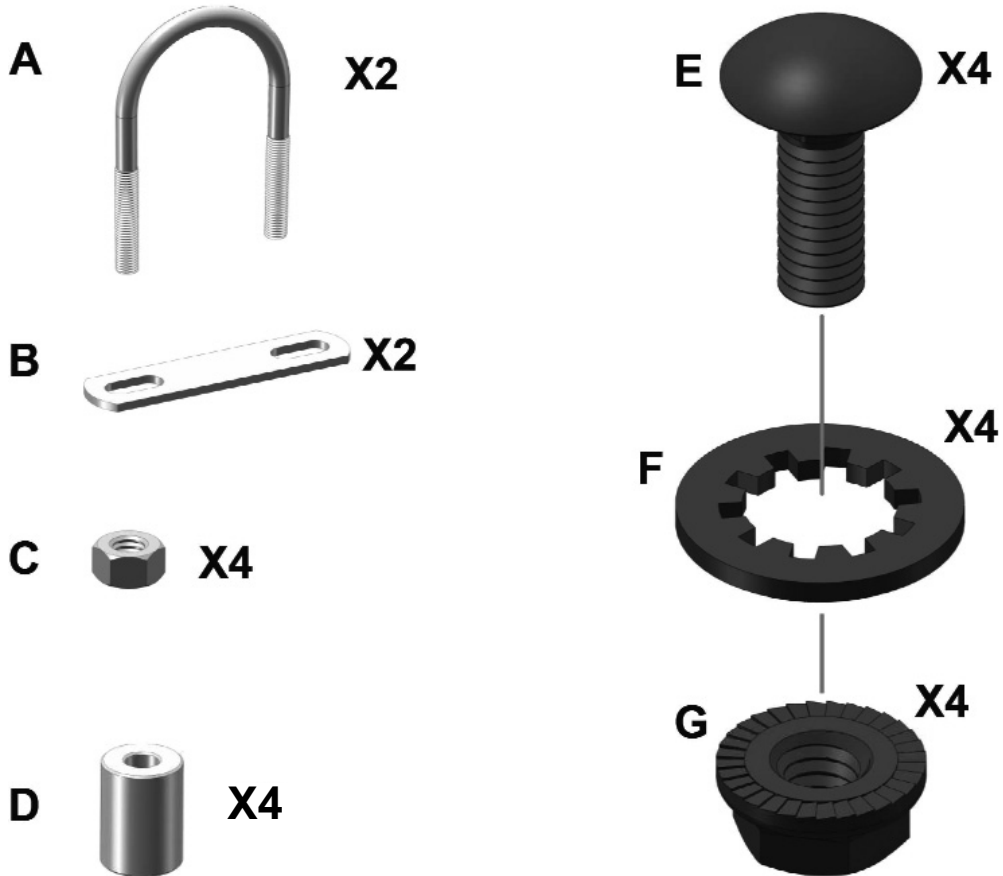
CTR-04-01(X)

BLANK - TAPPED MOUNTING HOLES
C - CAGE NUT MOUNTING HOLES



1. MATERIAL: FRAME & BRACKETRY - 12G CRS - SMOOTH BLACK POWDER COAT.
CABLE HANGERS - FLAME RETARDANT THERMOPLASTIC - BLACK.
2. REFERENCE PRODUCT INSTRUCTIONS FOR USE OF PRODUCT.
3. CONTACT A SIEMON CO. CUSTOMER SERVICE REPRESENTATIVE FOR ADDITIONAL INFORMATION.

HARDWARE



TOOLS REQUIRED

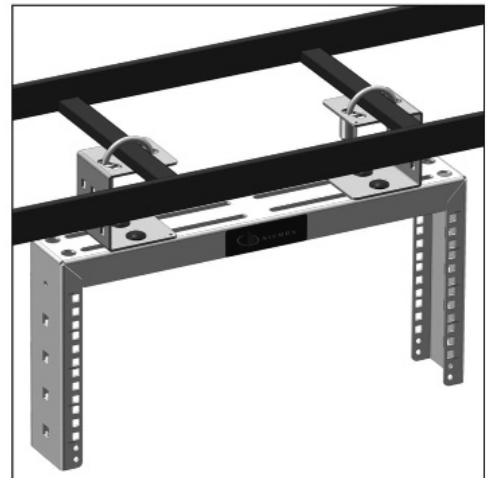
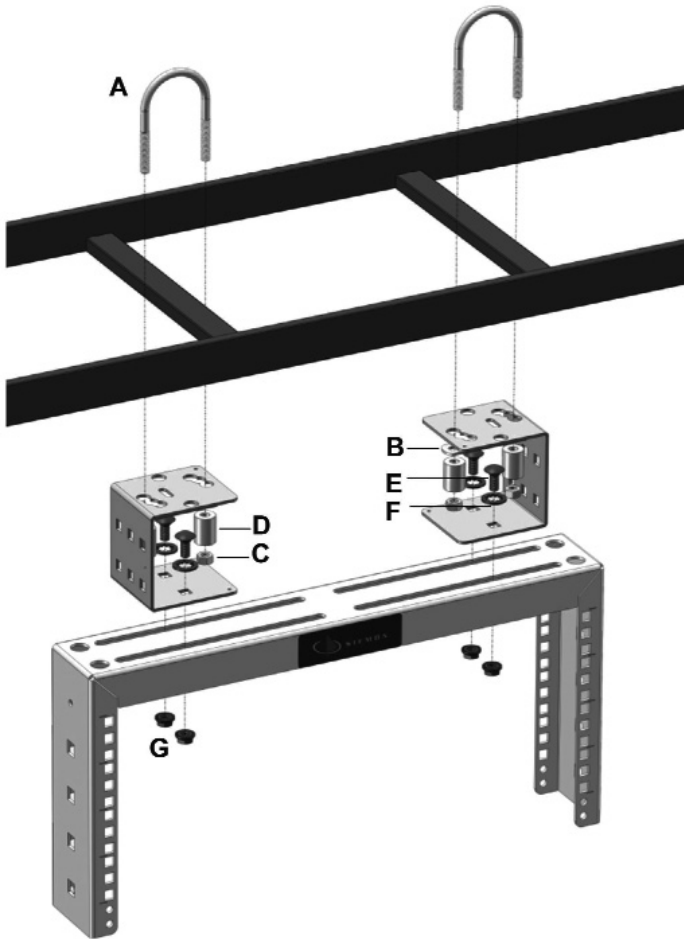
1/2" Socket Wrench



1/2" Box Wrench

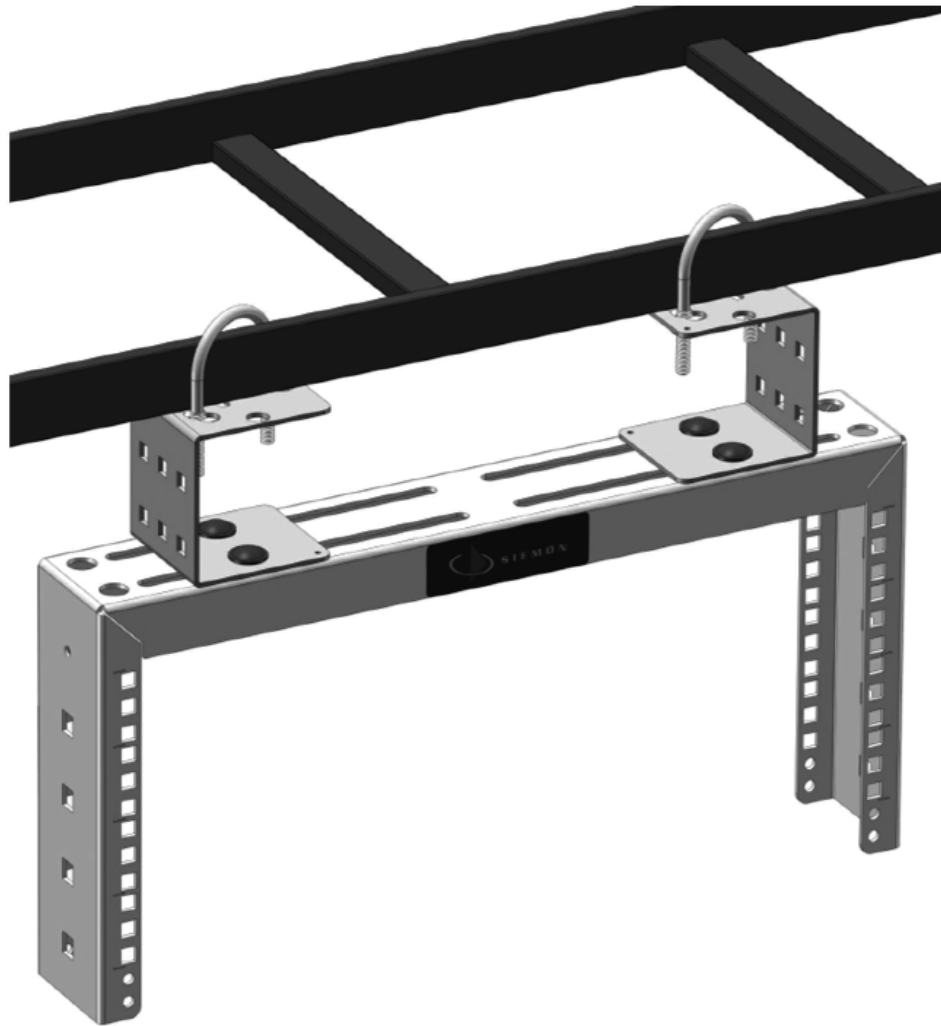


PARALLEL – BELOW CABLE TRAY (LADDER MOUNTED)



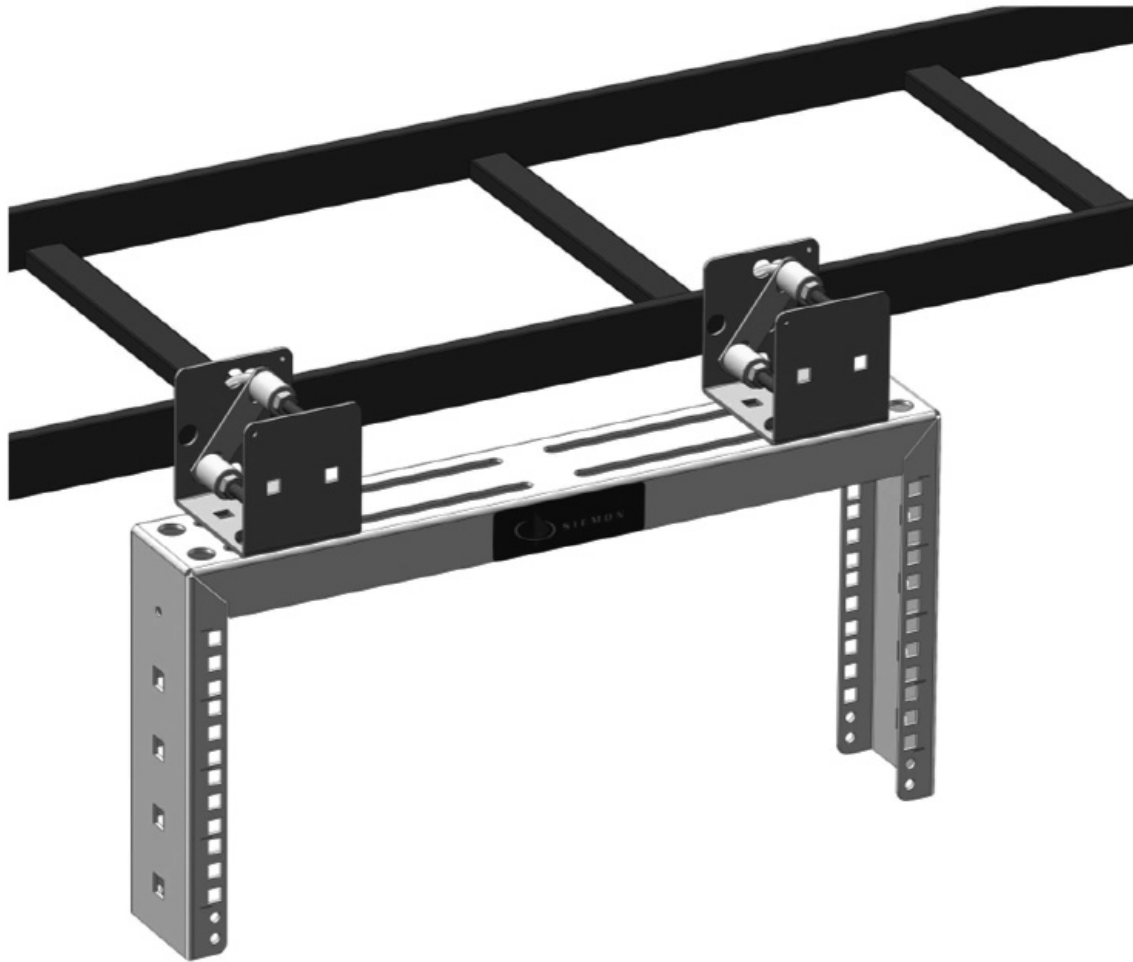
Torque all hardware to 75in-lbs

PARALLEL – BELOW CABLE TRAY (RAIL MOUNTED)



Torque all hardware to 75in-lbs

SIDE WALL MOUNTED



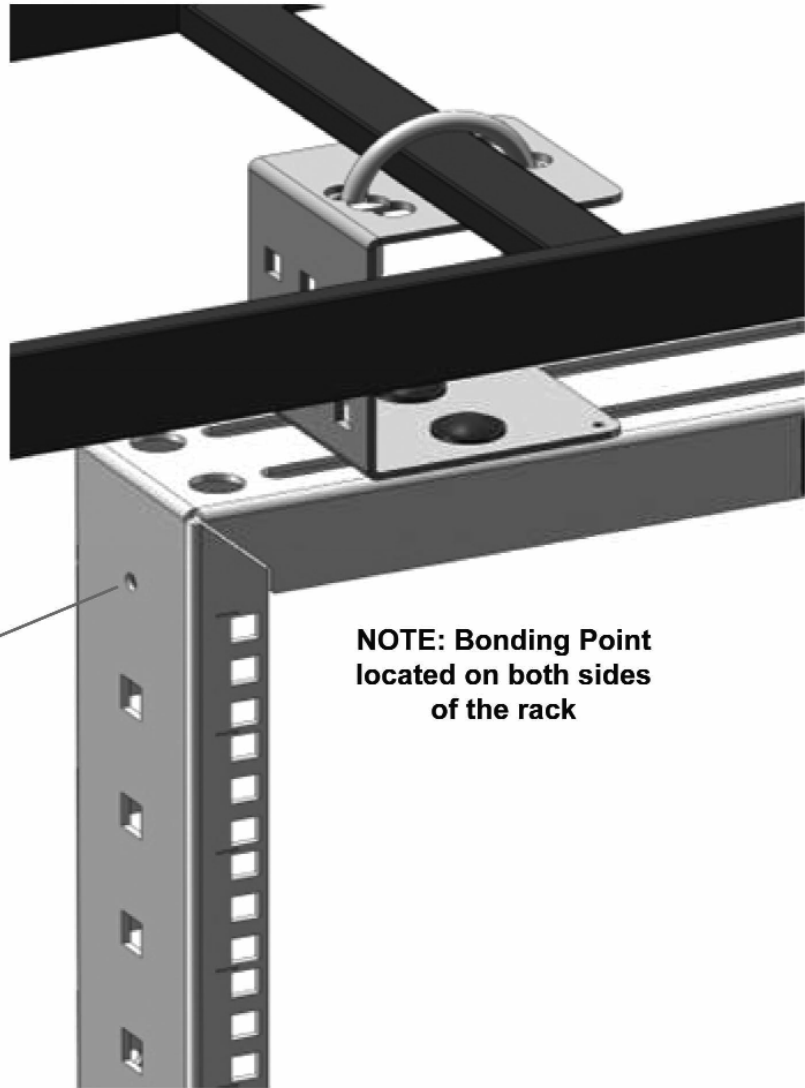
Torque all hardware to 75in-lbs

RACK BONDING

RACK BONDING

Ground Wire
(Not Supplied)

10-32
Screw



**NOTE: Bonding Point
located on both sides
of the rack**

