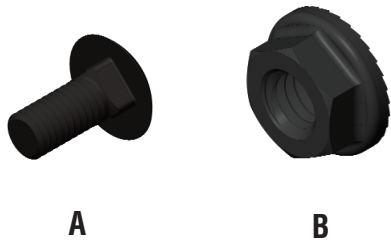


RSQ-BAY-Instructions



Hardware:

A: 5/16" x 3/4" CARRIAGE BOLTS

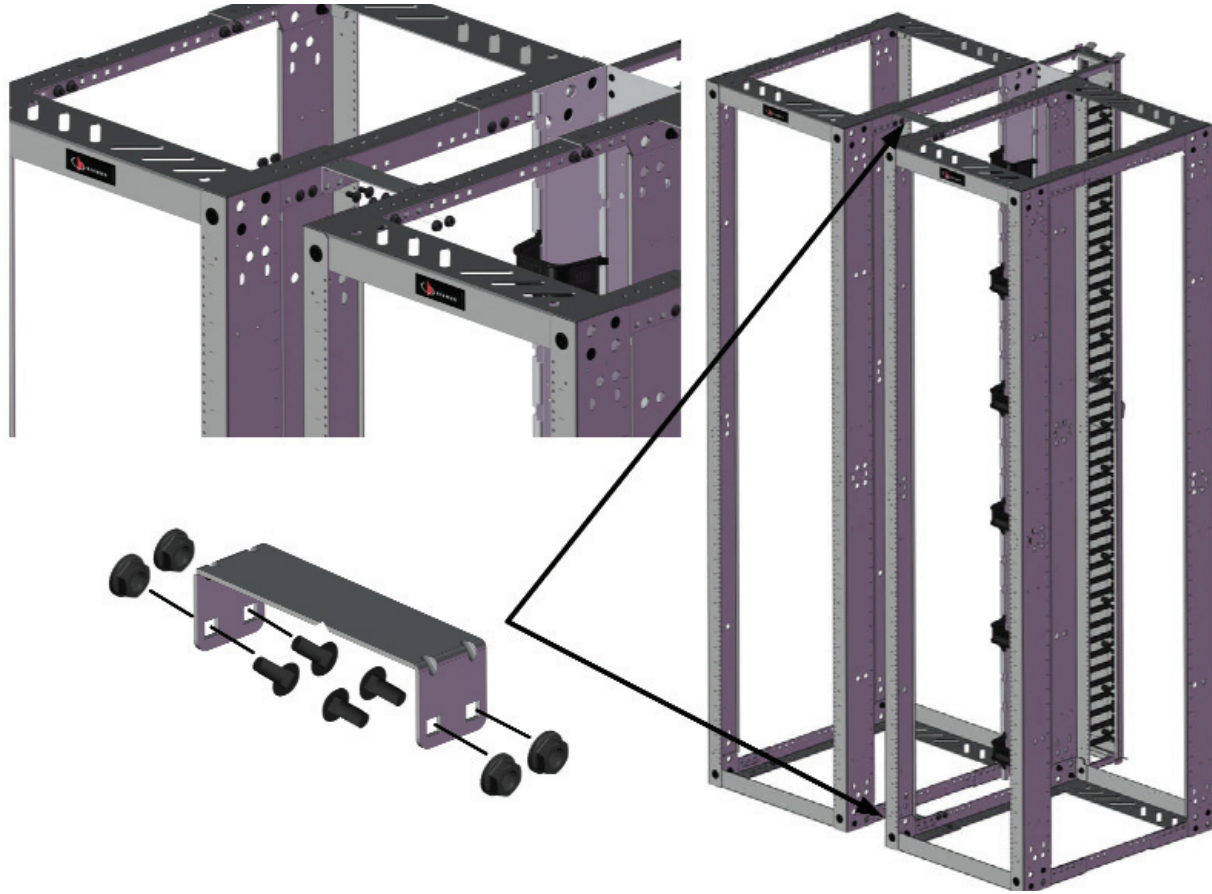
B: 5/16" FLANGE NUTS



Tools Required:

1/2" SOCKET WRENCH

RSQ-BAY-VPC6

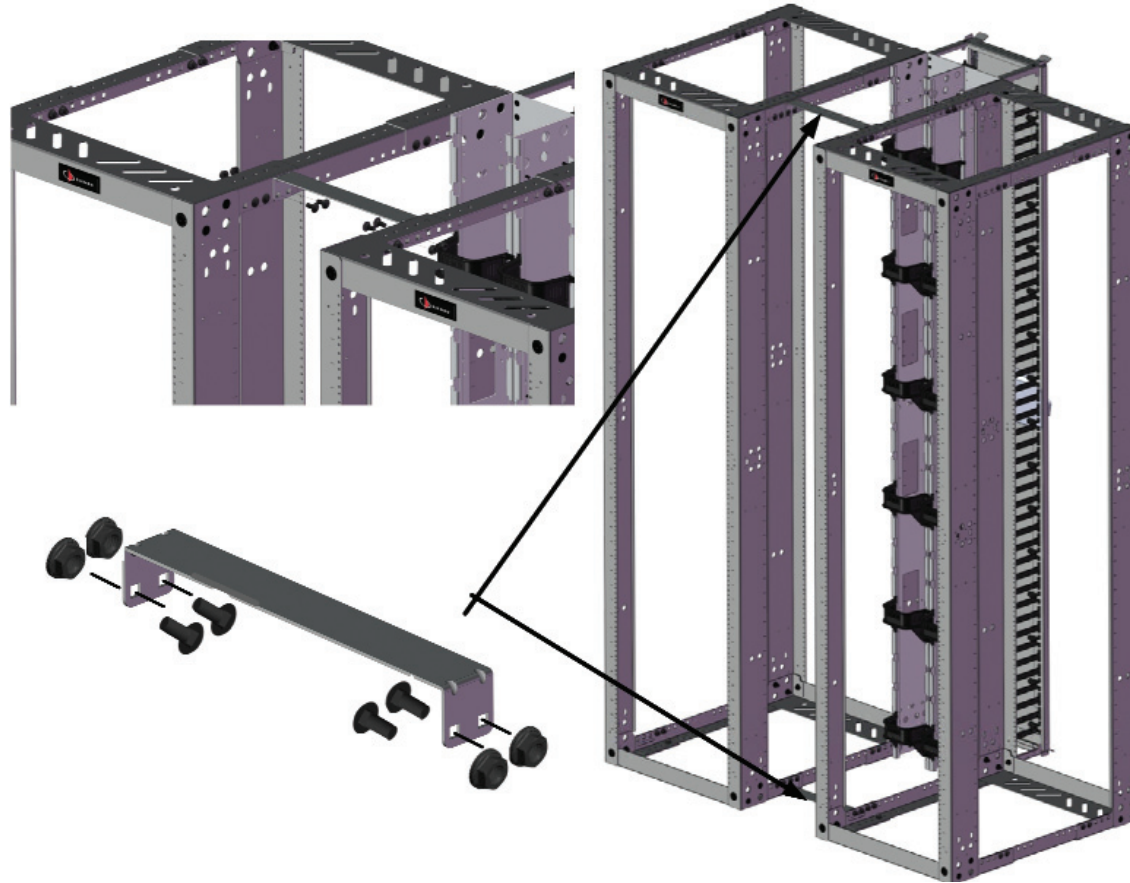


Hardware:

- (8) 5/16" x 3/4" CARRIAGE BOLTS
- (8) 5/16" FLANGE NUTS
- (2) BAYING BRACKETS

NOTE: Torque all Hardware to a Setting of 75 in. lbs

RSQ-BAY-VPC12

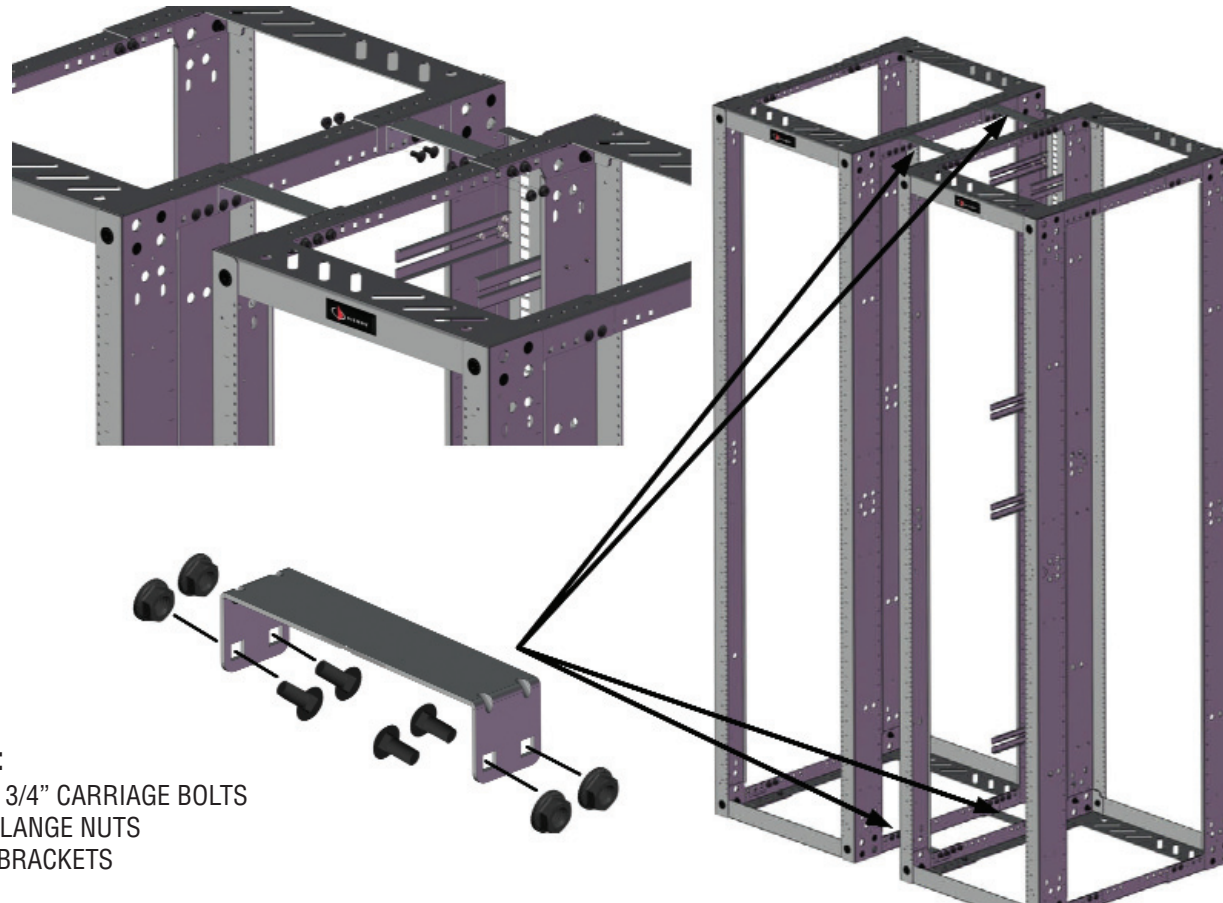


Hardware:

- (8) 5/16" x 3/4" CARRIAGE BOLTS
- (8) 5/16" FLANGE NUTS
- (2) BAYING BRACKETS

NOTE: Torque all Hardware to a Setting of 75 in. lbs

RSQ-BAY-VPP



Hardware:

- (16) 5/16" x 3/4" CARRIAGE BOLTS
- (16) 5/16" FLANGE NUTS
- (4) BAYING BRACKETS

NOTE: Torque all Hardware to a Setting of 75 in. lbs

Safety Instructions

1. Read and understand all instructions for proper installation and use of this product as improper use of this product may lead to serious injury or death.
2. Do not attempt to move equipment racks without adequate assistance, due to their height and weight.
3. A standalone rack should be level, stable, and anchored to the floor before loading equipment.
4. Two or more racks can be bayed together (coupled) to enhance their stability. Each rack should be anchored to the floor.
5. Always load the racks such that the heaviest equipment (e.g. — UPS units, large enterprise switches) is located at the lowest point in the rack.
6. The Maximum Load Capacity of the rack should not exceed 1000kg (2205 lbs.)
7. The rack can support many equipment configurations, be sure to read and follow your equipment manufacturer's specific assembly, installation, and safety instructions.
8. If using more than one slide-mounted equipment, be sure to extend only one sliding unit at a time.
9. Do not attempt to move a fully loaded equipment rack. Remove equipment from the rack before moving the rack.
10. For protection of equipment and personnel, each rack is intended to be fully bonded when assembled according to the installation instructions.
11. The rack comes with two grounding lugs and four bonding locations. Install and use these in accordance with the applicable requirements of the National Electrical Code and the local Authorities Having Jurisdiction (AHJ).
12. Component Servicing - Defective units should be repaired by personnel trained by the manufacturer, or returned to the manufacturer for repair or replacement.



To assist safe installations, comply with the following:

- A. Do not attempt to perform this work with fewer than 2 technicians
- B. Never touch uninsulated wire terminals unless the circuit has been disconnected.
- C. Never install this device in a wet location.
- D. Never install wiring during a lightning storm.

Global Headquarters

Watertown, Connecticut USA

Tel: (1) 866-548-5814

For a complete listing of our global offices visit our web site

