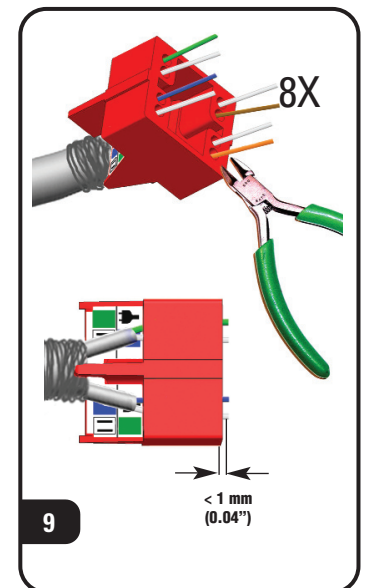
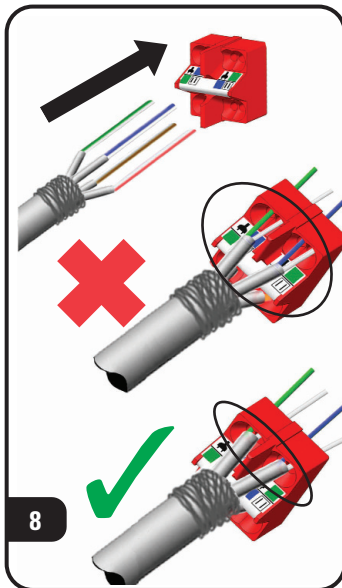
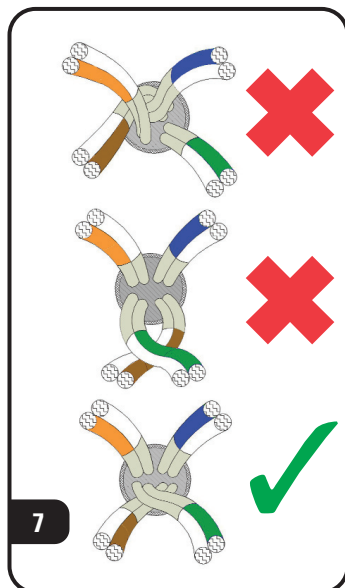
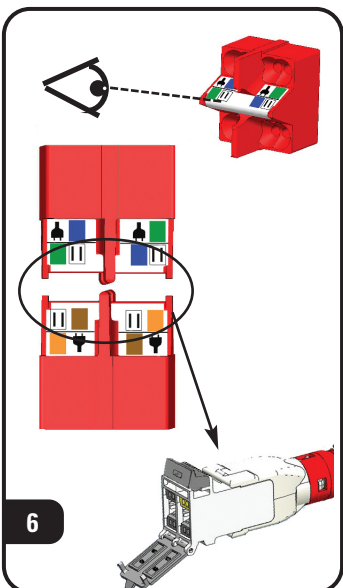
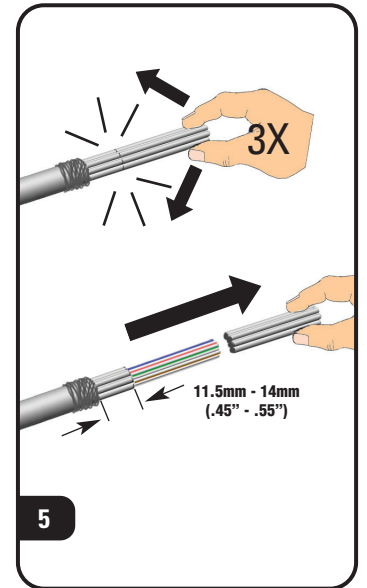
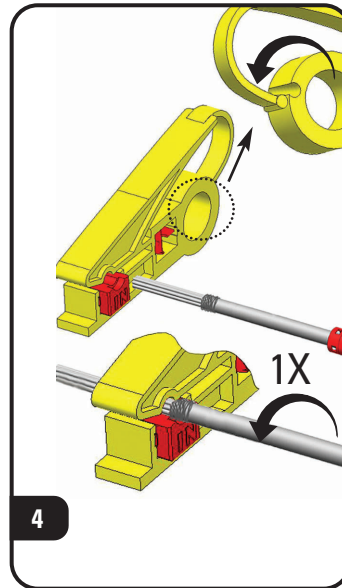
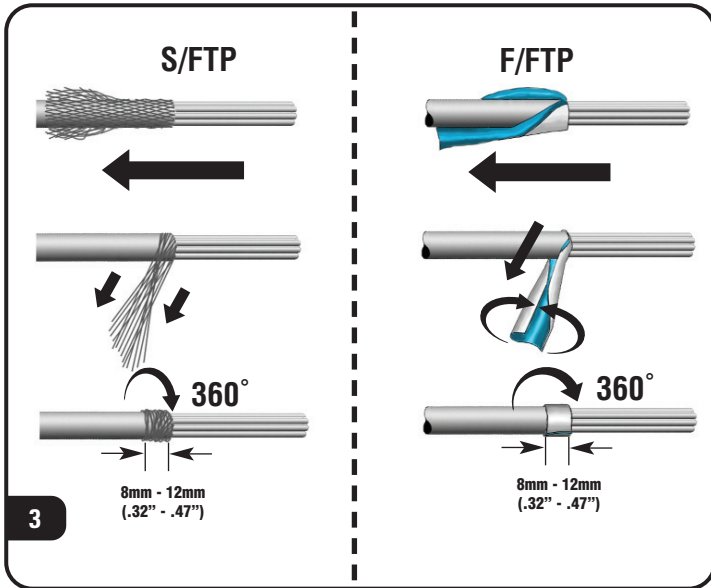
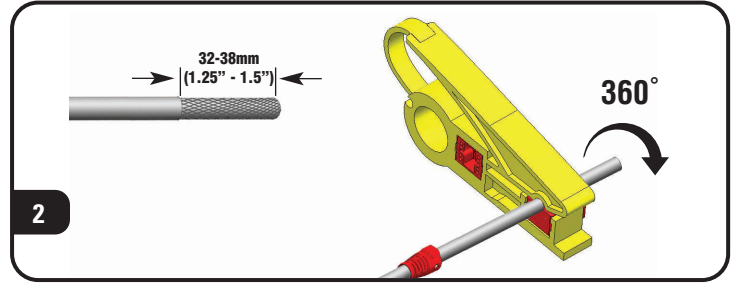
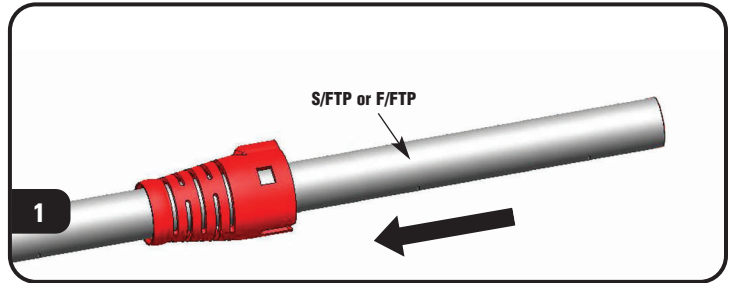
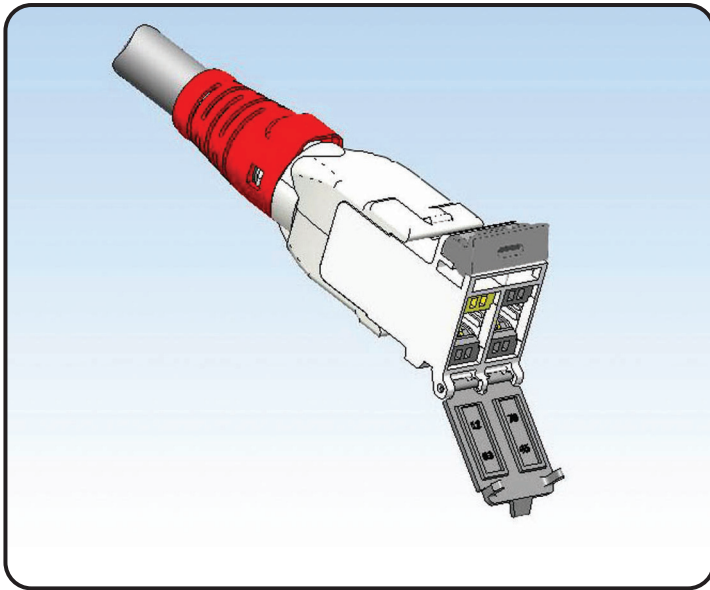
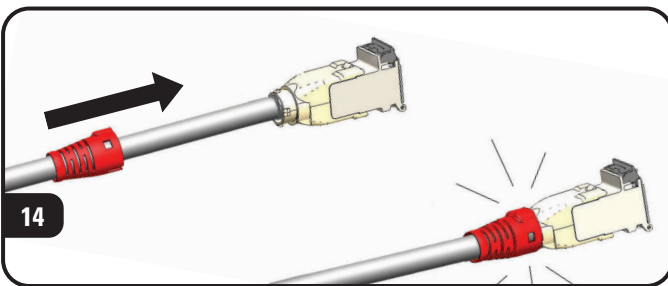
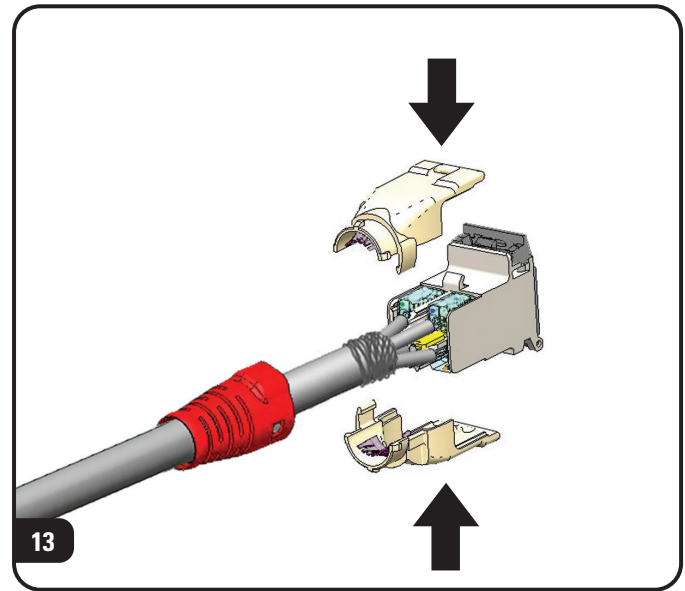
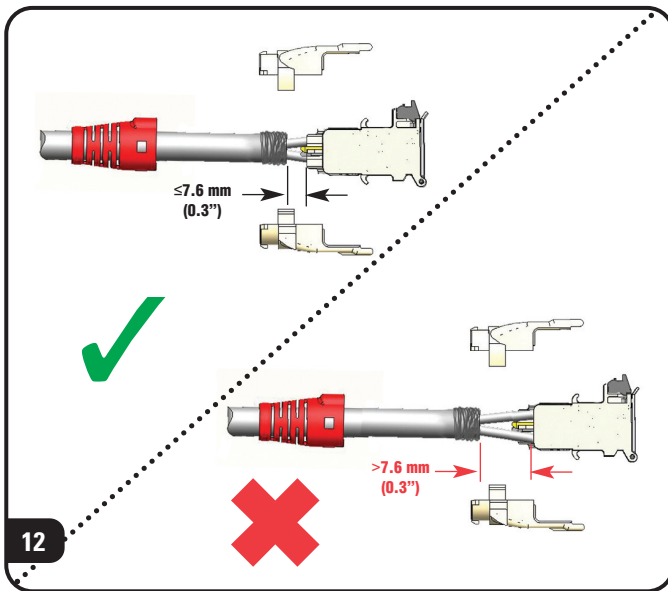
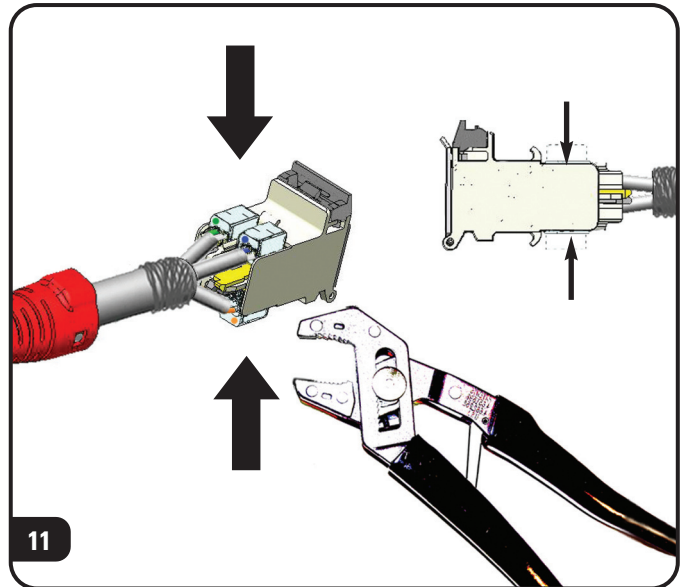
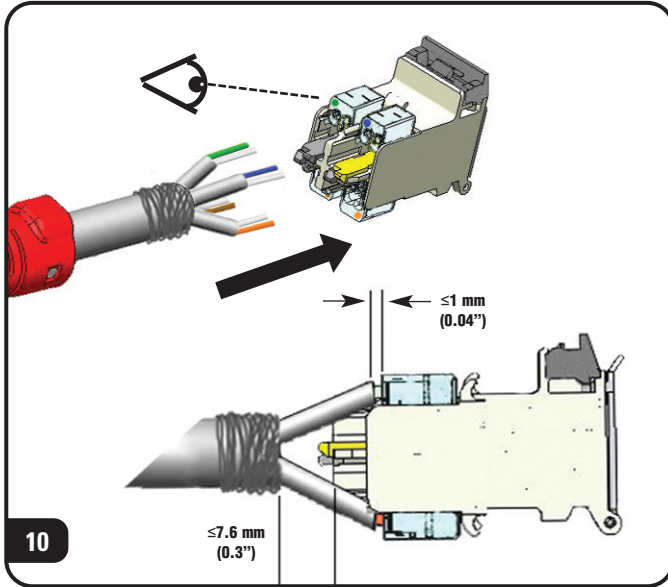


TERA® 4-pair outlet termination instructions



TERA® 4-pair outlet termination instructions



To assist safe installations, comply with the following:

- A. Use caution when installing or modifying telecommunications circuits.
- B. Never touch uninsulated wire terminals unless the circuit has been disconnected.
- C. Never install this device in a wet location.
- D. Never install wiring during a lightning storm.



Siemon — Australia
 Sydney, Australia
 Tel: (61) 2 9452 2666

Siemon — China
 Beijing, P.R. China
 Tel: (86) 10 6559 8860

Siemon — Germany
 Frankfurt, Germany
 Tel: (49) (0) 69 97168 184

Siemon — Japan
 Tokyo, Japan
 Tel: (03) 5437 1580

Siemon — UK
 Surrey, England
 Tel: (44) (0) 1932 571771

Siemon — North America
 Watertown, Connecticut
 Tel: (1) 866-548-5814

Siemon — CASA
Central & South America
 Bogota, Columbia
 Tel: (011) 571 317 2121

Siemon — France
 Paris, France
 Tel: (33) 1 46 46 11 85

Siemon — Italy
 Milano, Italy
 Tel: (39) 02 64 672 209

Siemon — Southeast Asia
 Singapore
 Tel: (65) 345 9119