

Z-MAX™ Patch Panel Instructions



Z-MAX - 24 port panel (shown throughout)



Z-MAX - 48 port panel

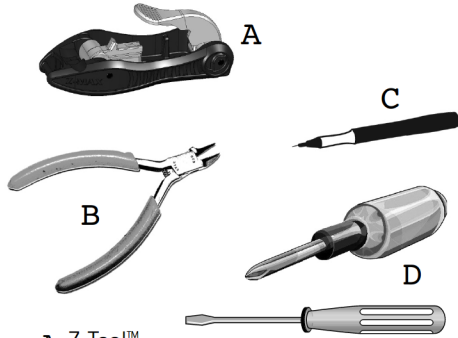


Z-MAX - Angled 48 port panel

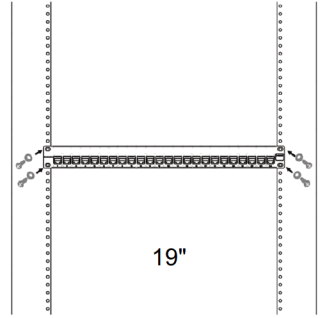


Z-MAX - Angled 48 port panel

Tools Required

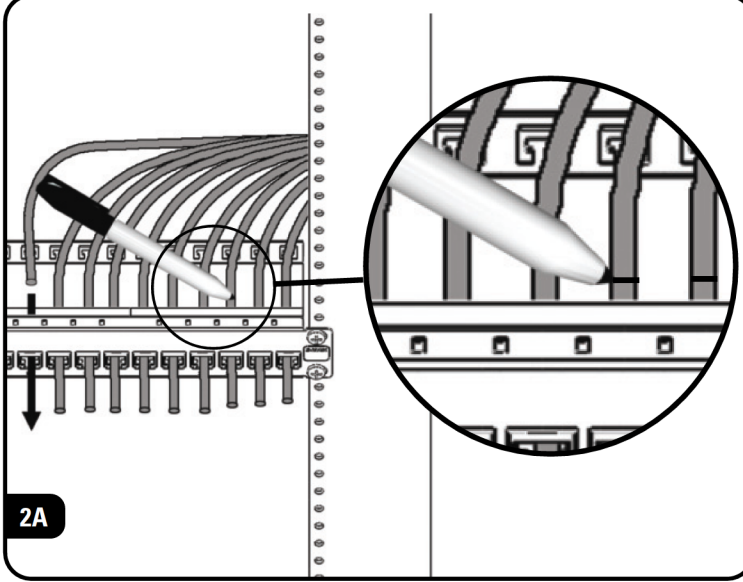


- A Z-Tool™
- B Flush Cutter
- C Permanent Marker
- D Philips and Flathead Screwdrivers

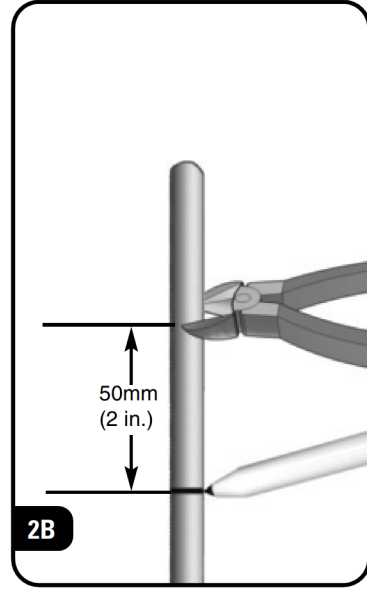


19"

1



2A



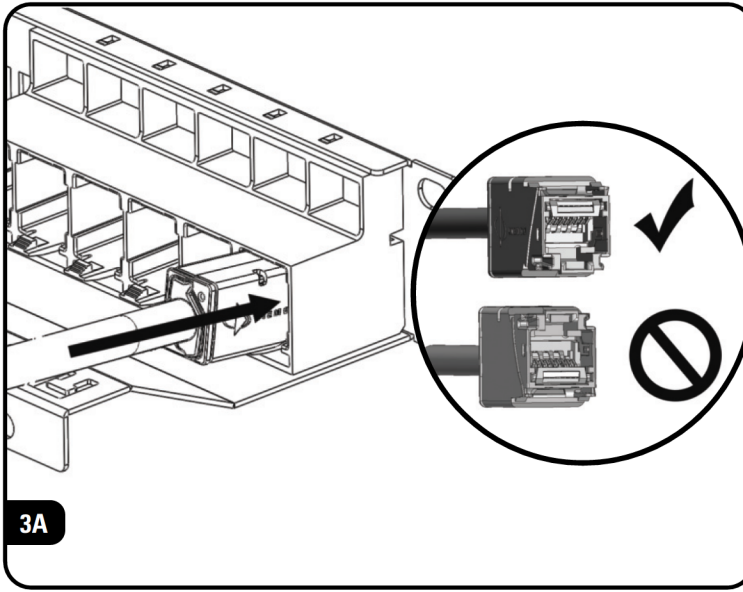
2B

See Z-MAX Outlet Instructions

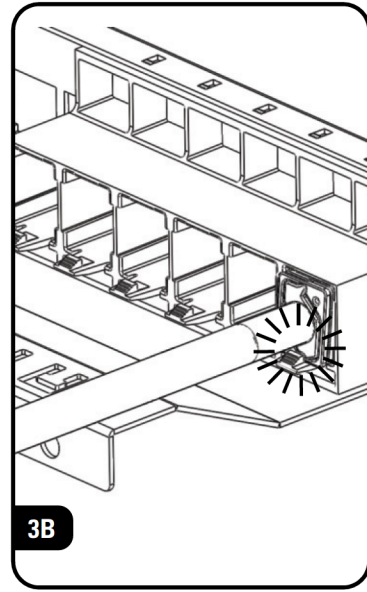


- INS_100.18077.00 (FUTP)
- INS_100.18080.00 (UTP)

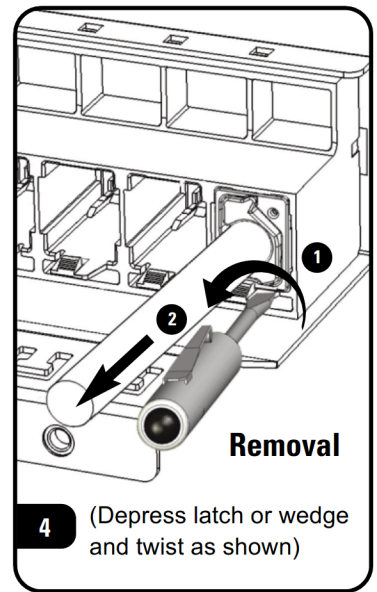
2C



3A

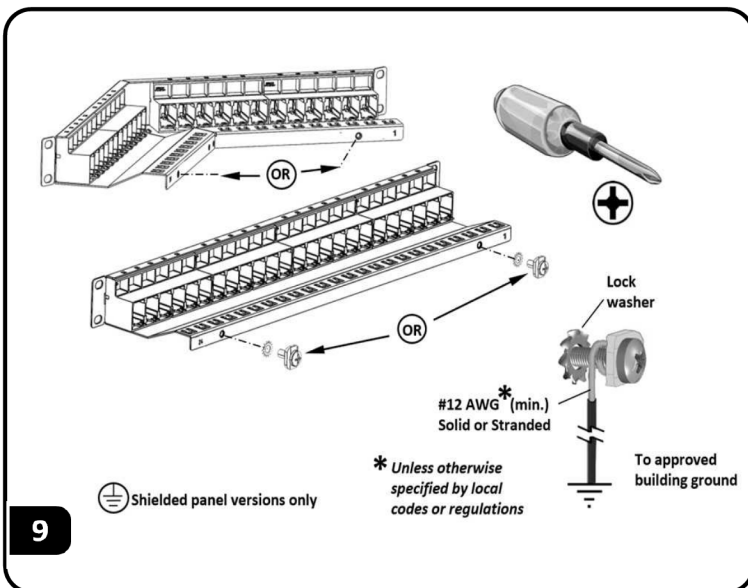
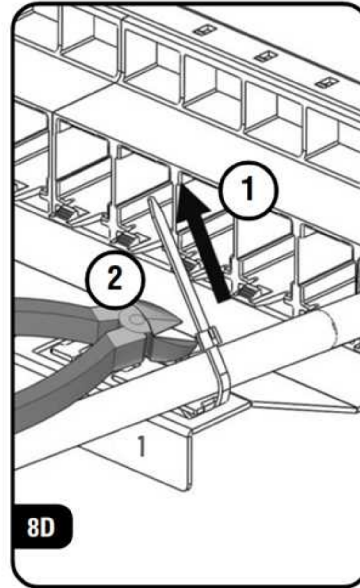
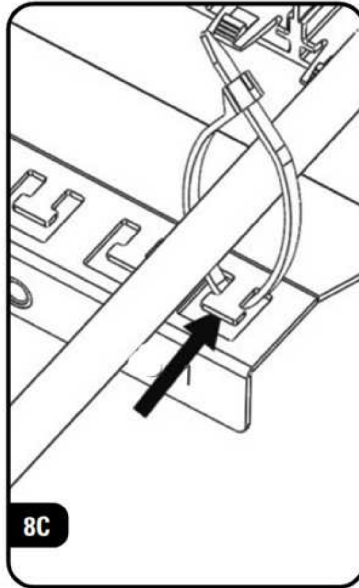
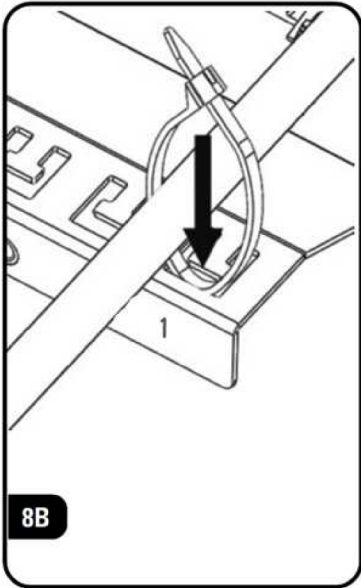
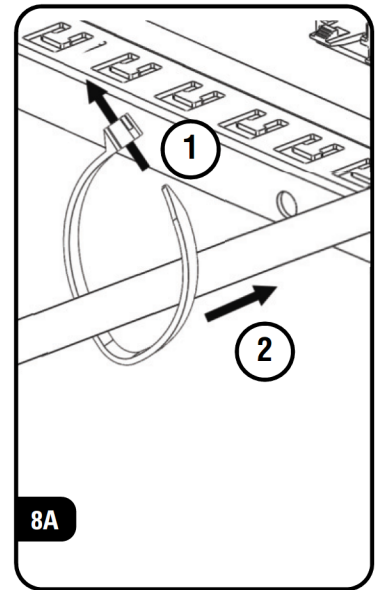
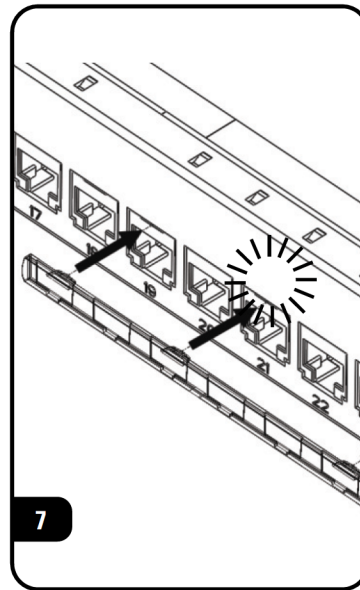
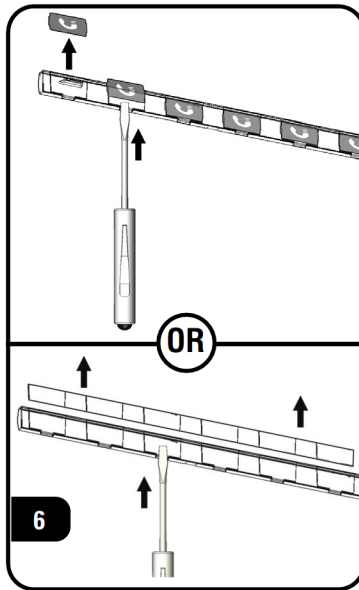
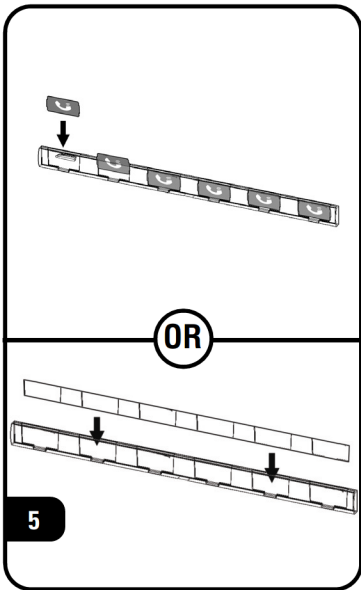


3B



Removal

- 4 (Depress latch or wedge and twist as shown)



To assist safe installations, comply with the following:

- A. Use caution when installing or modifying telecommunications circuits.
- B. Never touch uninsulated wire terminals unless the circuit has been disconnected.
- C. Never install this device in a wet location.
- D. Never install wiring during a lightning storm.

Lors de l'installation, respectez les consignes de sécurité suivantes:

- A. Utiliser avec prudence lors de l'installation ou de la modification circuits de télécommunications.
- B. Ne jamais toucher les bornes de fil métallique non isolés sauf si le circuit a été débranché.
- C. Ne jamais installer cet appareil dans un endroit humide.
- D. Ne jamais installer pendant un orage.

To ensure you have the latest revision to this document, please visit: <http://www.siemon.com/us>

Global Headquarters
Watertown, Connecticut USA
Tel: (1) 866-548-5814

For a complete listing of our global offices visit our web site

