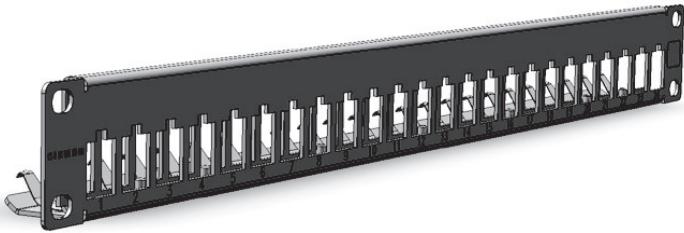


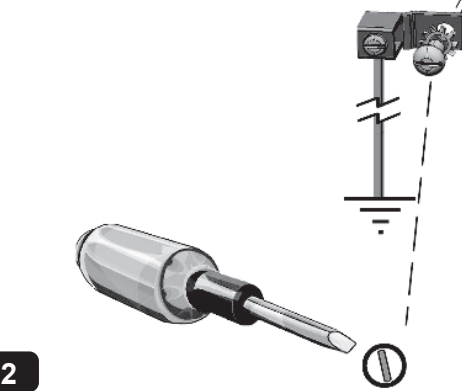
TM Keystone Panel Instructions



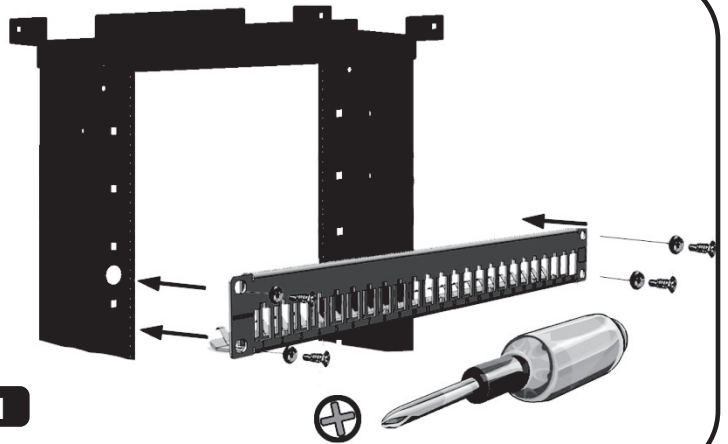
CPT-RGTP



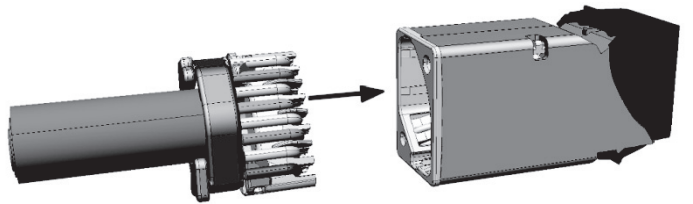
Tools



2

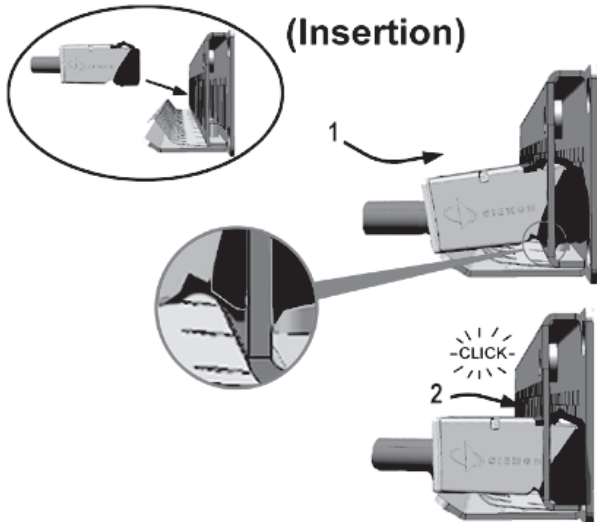


1

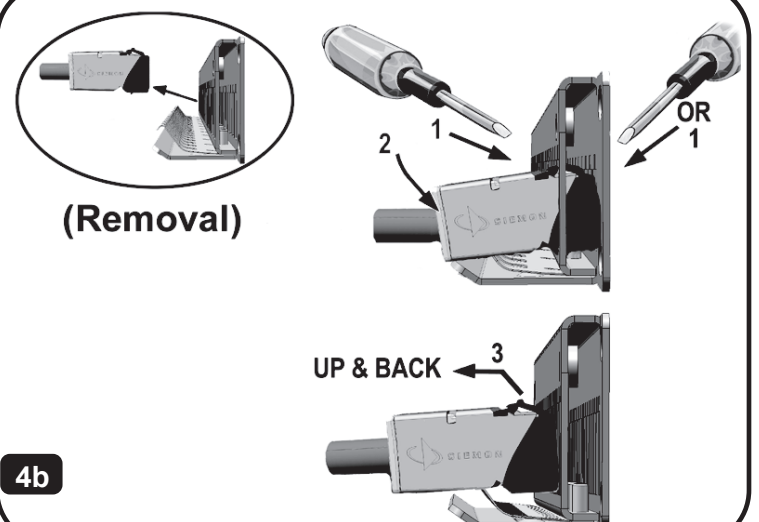


(Reference Z-MAX termination instructions)

3



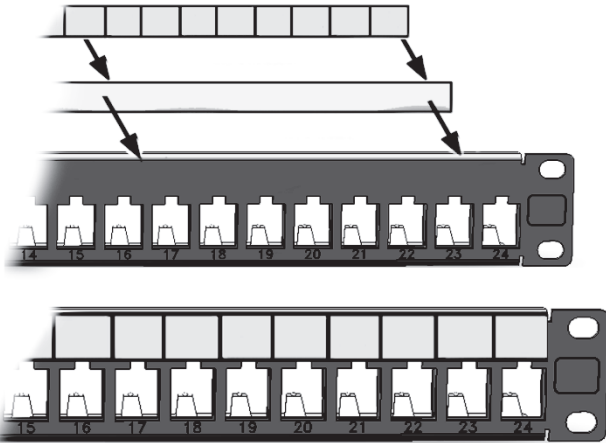
4a



4b

TM Keystone Panel Instructions

Optional Labeling



5

Comply with the following for safe installations:

- A. Use caution when installing or modifying telecommunications circuits.
- B. Never touch uninsulated wire terminals unless the circuit has been disconnected.
- C. Never install this device in a wet location.
- D. Never install wiring during a lightning storm.



Global Headquarters
Watertown, Connecticut USA
Tel: (1) 866-548-5814



www.siemon.com

For a complete listing of our global offices visit our web site