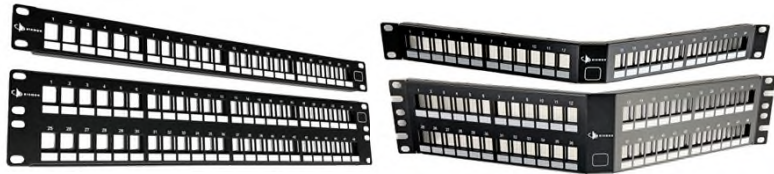


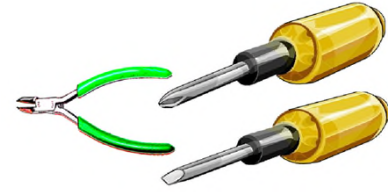
Keystone UTP Panel Instructions



Flat

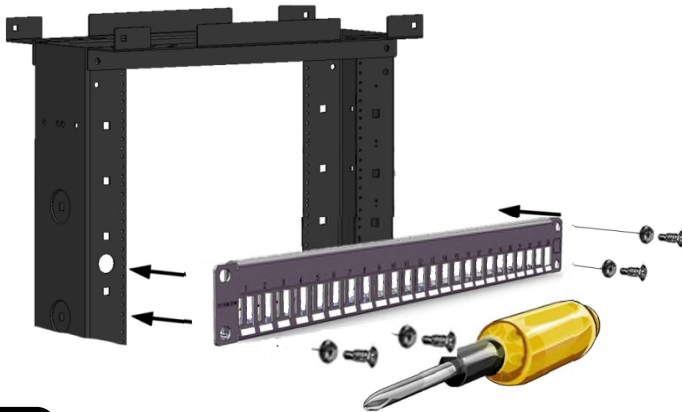
Angled

24 & 48 port



- Flush Cutter
- Phillips Screwdriver
- Flat Screwdriver

Tools

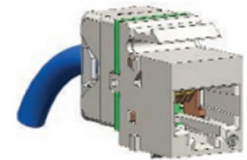


1

Reference separate termination instructions for keystone outlet being installed



Z-MAX Keystone

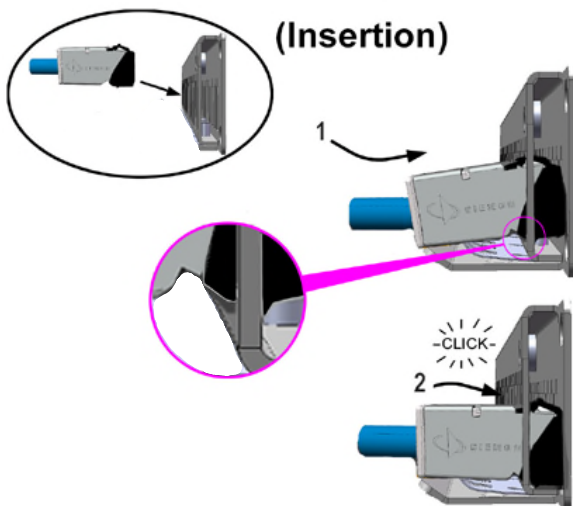


MAX Keystone*

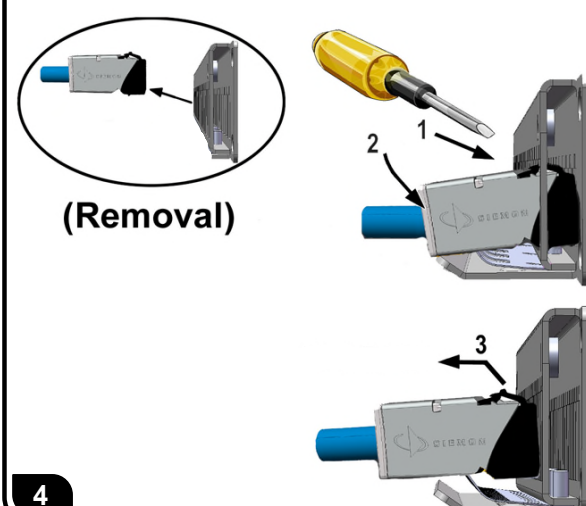


*Caution: Outlets are not designed for termination while loaded in panel. Do not punch down cables on MAX keystone outlets when loaded in panel to prevent damage to outlet.

2

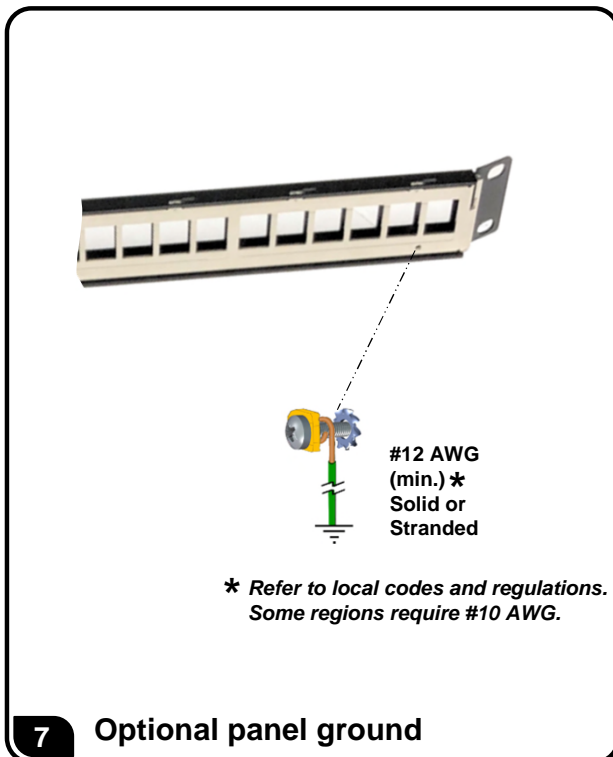
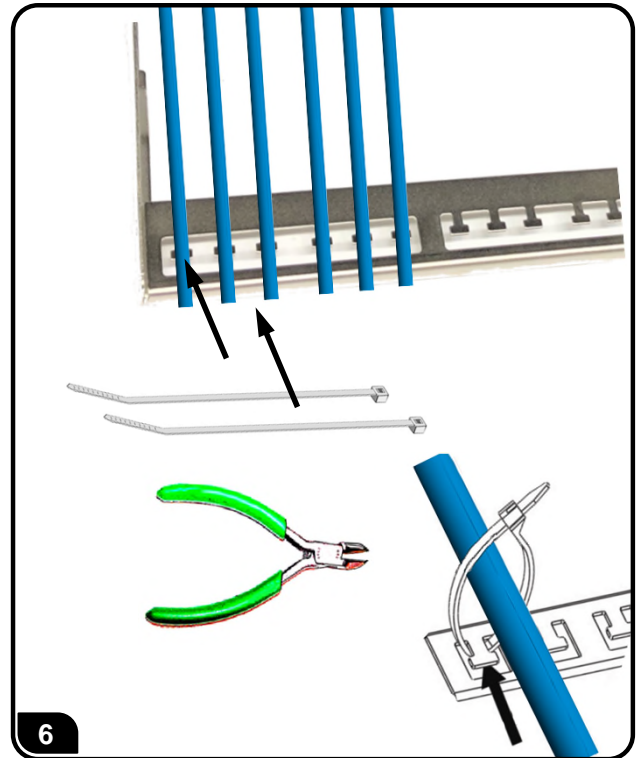
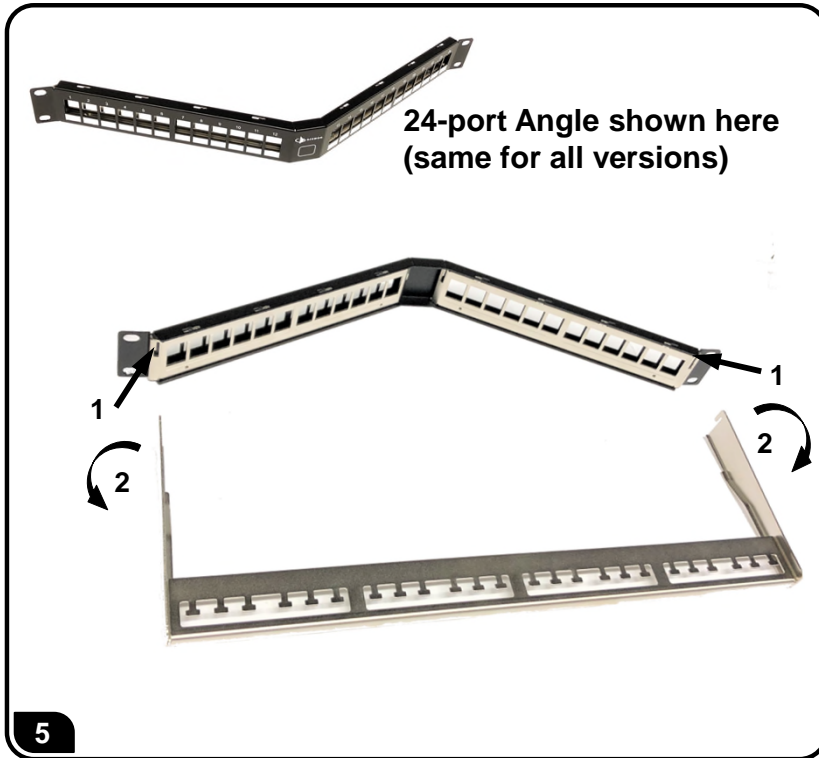


3



4

Keystone UTP Panel Instructions



To assist safe installations, comply with the following:

- A. Use caution when installing or modifying telecommunications circuits.
- B. Never touch uninsulated wire terminals unless the circuit has been disconnected.
- C. Never install this device in a wet location.
- D. Never install wiring during a lightning storm.

Lors de l'installation, respectez les consignes de sécurité suivantes:

- A. Utiliser avec prudence lors de l'installation ou de la modification circuits de télécommunications.
- B. Ne jamais toucher les bornes de fil métallique non isolés sauf si le circuit a été débranché.
- C. Ne jamais installer cet appareil dans un endroit humide.
- D. Ne jamais installer pendant un orage.

To ensure you have the latest revision to this document, please visit: www.Siemon.com



Global Headquarters
Watertown, Connecticut USA
Tel: (1) 866-548-5814

For a complete listing of our global offices visit our web site