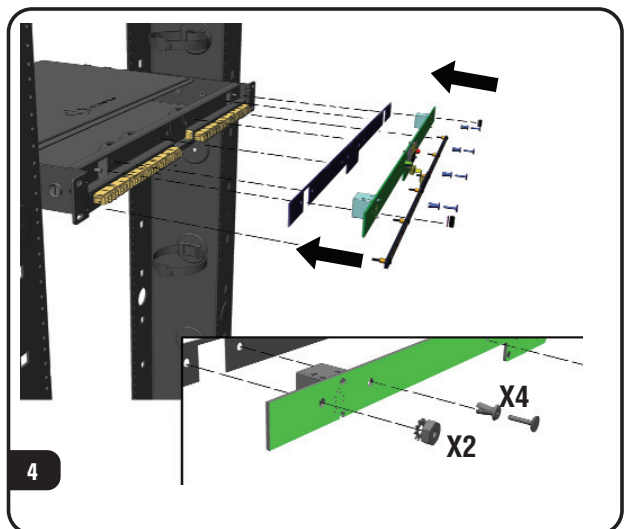
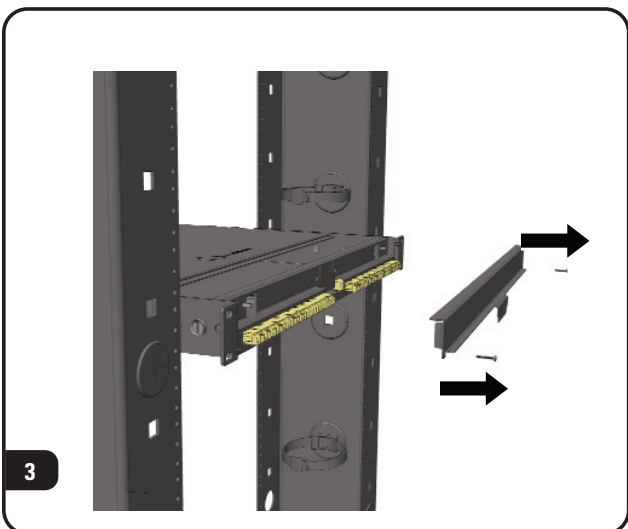
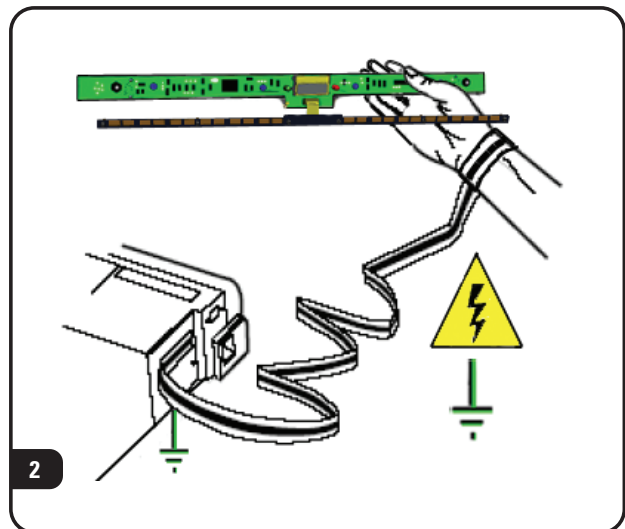
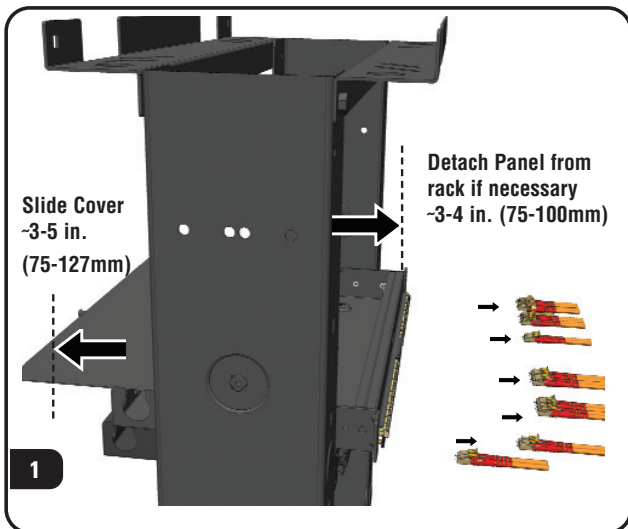
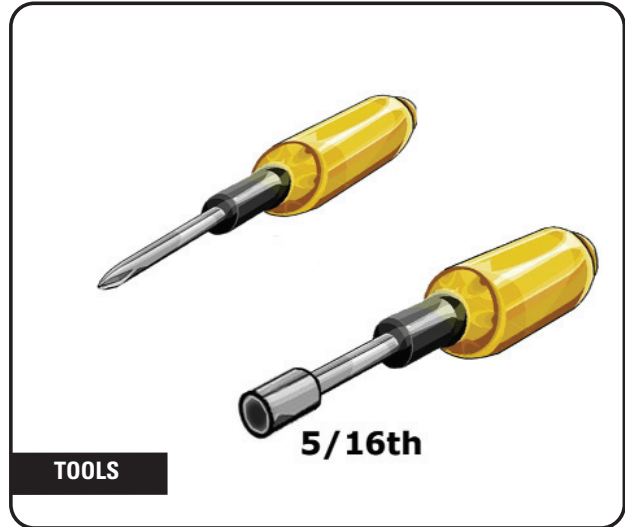
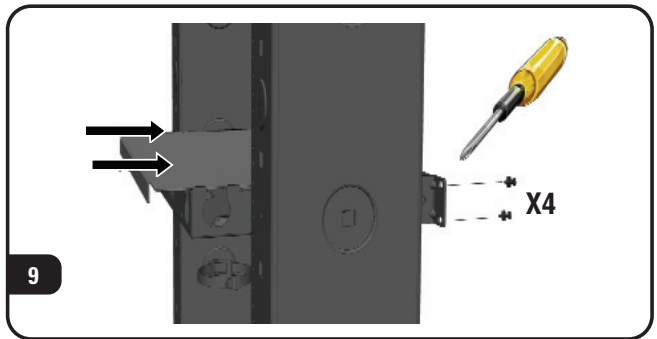
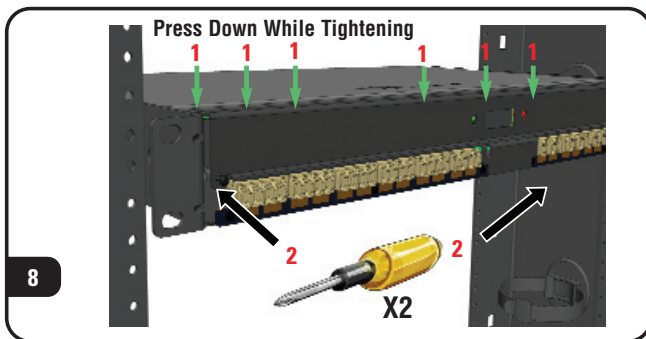
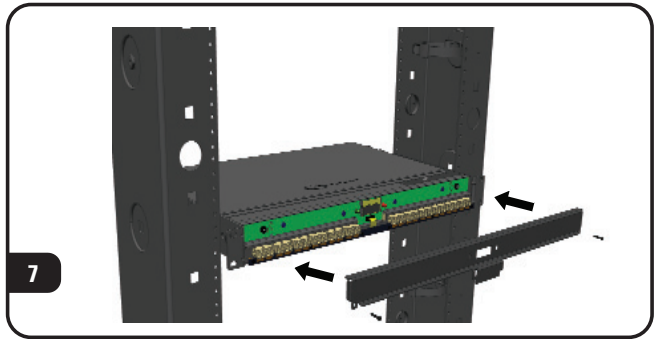
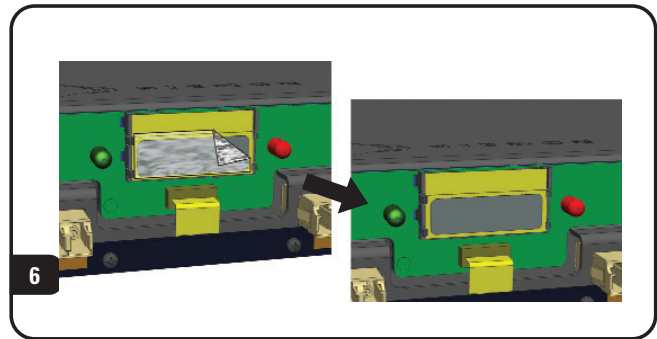
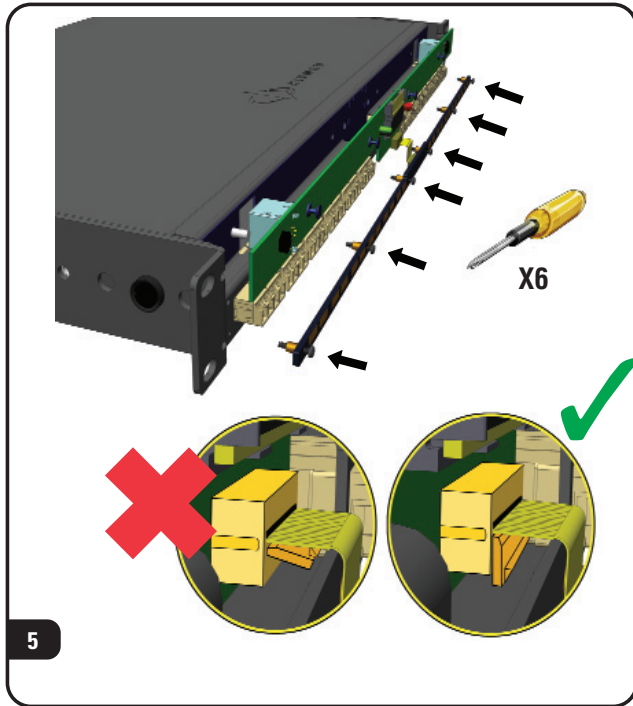


MapIT® G2 SFE PCB Upgrade Instructions





Global Headquarters
 Watertown, Connecticut USA
 Tel: (1) 866-548-5814

For a complete listing of our global offices visit our web site

For a color copy of these instructions visit www.siemon.com

To assist safe installations, comply with the following:

- A. Use caution when installing or modifying telecommunications circuits.
- B. Never touch uninsulated wire terminals unless the circuit has been disconnected.
- C. Never install this device in a wet location.
- D. Never install wiring during a lightning storm.

