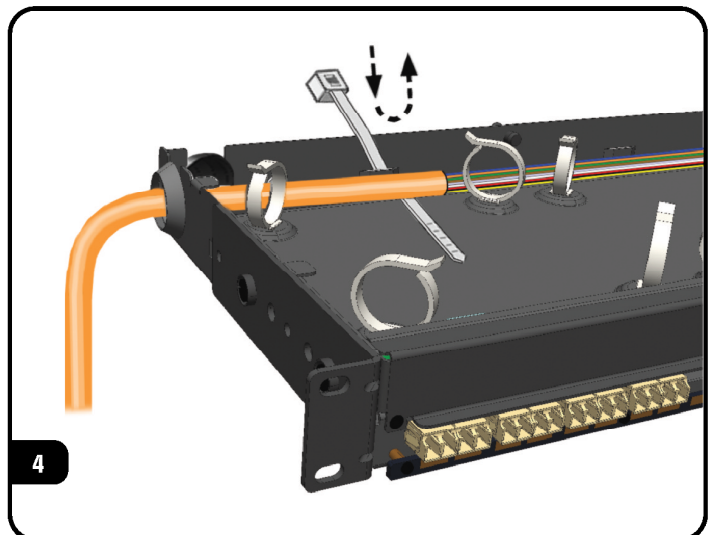
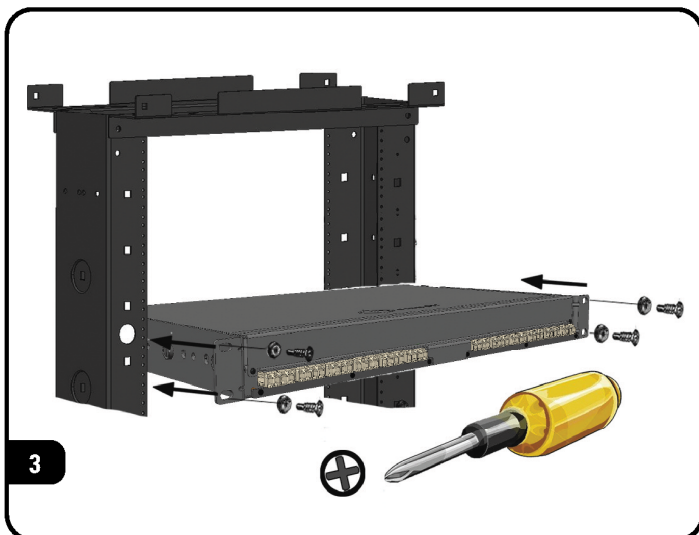
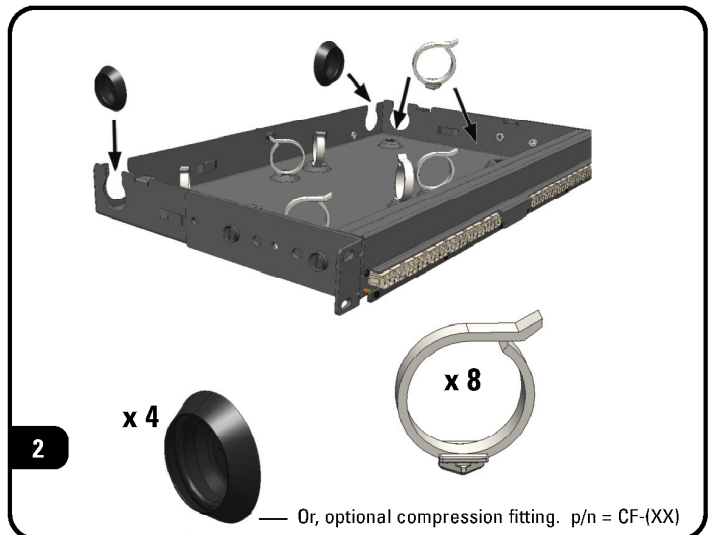
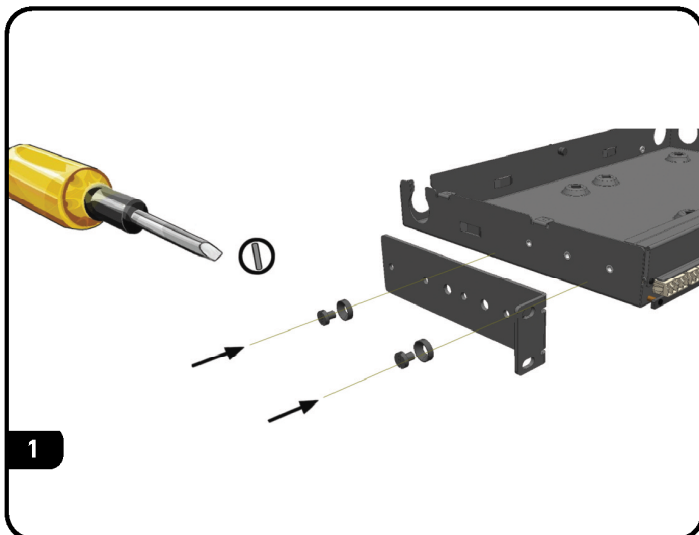
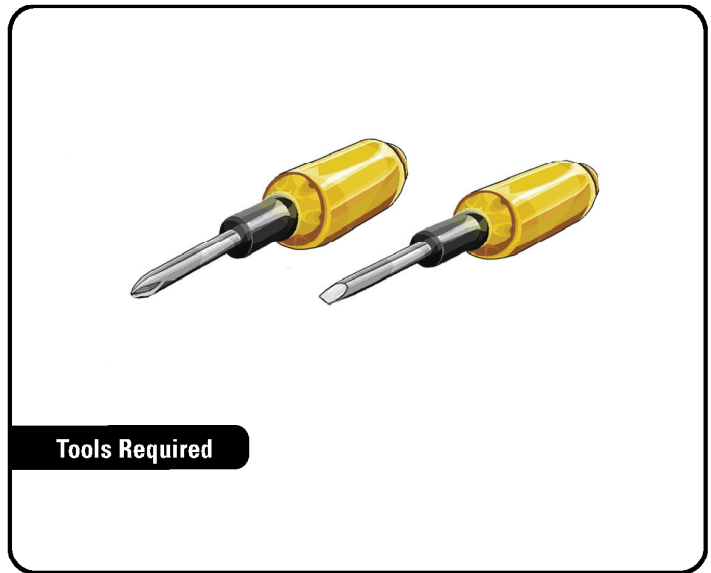
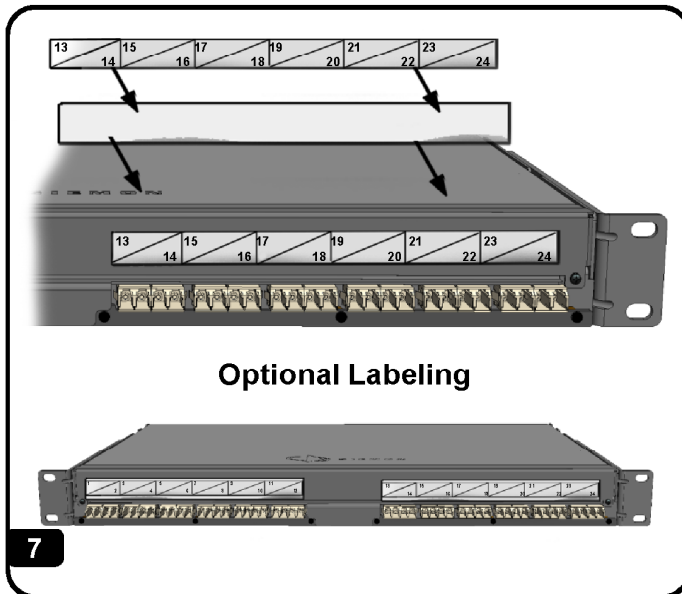
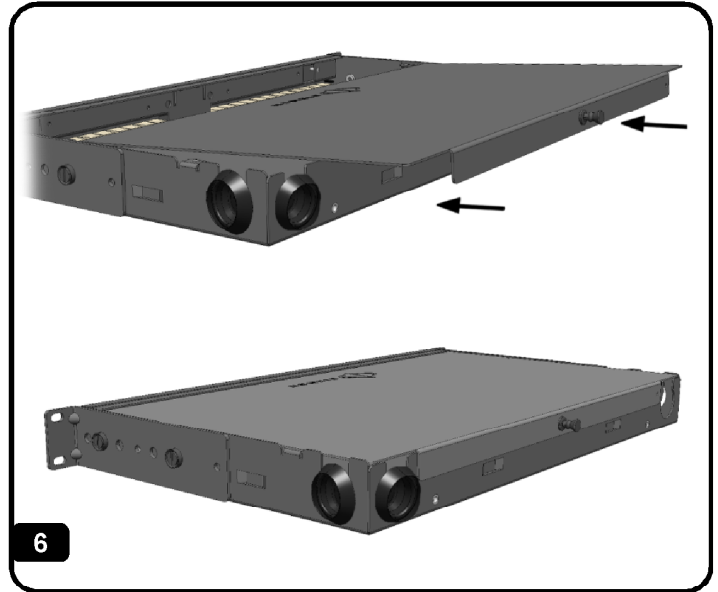
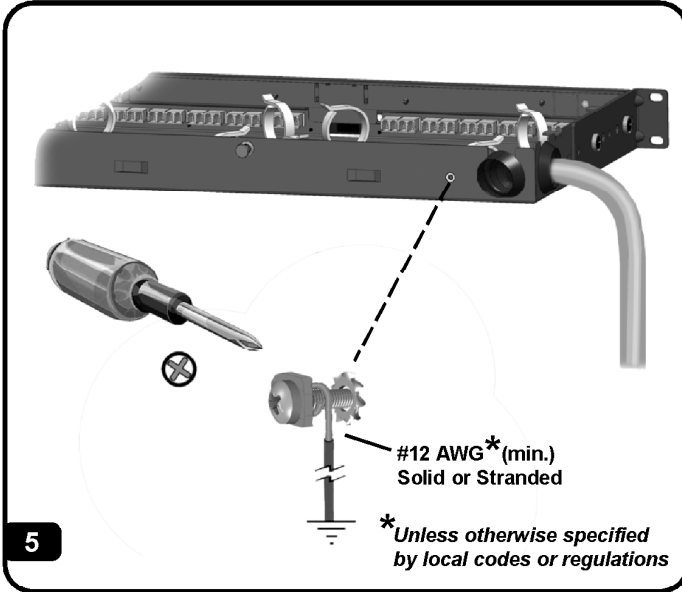


# MapIT® G2 Ready SFE Instructions



# MapIT G2 Ready SFE Instructions



**WARNING:**  
Optical transmitters and fiber optic test equipment used in the telecommunications industry uses invisible infrared energy. At sufficient power, this may cause eye or skin damage.

If you work with fiber optic products, including test equipment, consider the following:

1. Do not look into fibers or connectors. They may be 'live'.
2. Know what is happening with the fiber under test at the far end!
3. When connecting a light source, try to make it the last element you connect!
4. Whenever possible, switch off and disconnect your light source(s) before breaking any fiber connections.
5. Always consider the hazard to other people:
  - a. Use warning signs, etc.
  - b. Keep caps on unconnected fibers whenever possible.
  - c. If using "live" optical beams, keep them low and facing away from personnel.
6. Don't view optical outputs with a microscope, use a TV camera/monitor.
7. Elect a safety officer to:
  - a. Train staff
  - b. Maintain records of equipment classification, calibrations and safety checks.
8. Be careful of cut fibers. Remember they are sharp and difficult to see!

**Comply with the following for safe installations:**

- A. Use caution when installing or modifying telecommunications circuits.
- B. Never touch uninsulated wire terminals unless the circuit has been disconnected.
- C. Never install this device in a wet location.
- D. Never install wiring during a lightning storm.

To ensure you have the latest revision to this document, please visit: <http://www.siemon.com/us>

Global Headquarters  
Watertown, Connecticut USA  
Tel: (1) 866-548-5814



For a complete listing of our global offices visit our web site

Rev. B 06/10 100-18562.00

© 2014 Siemon