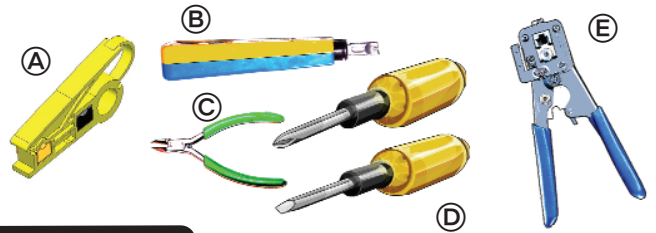
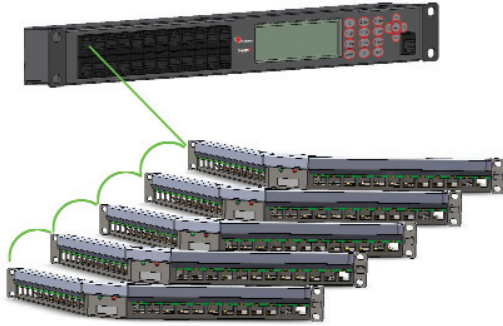


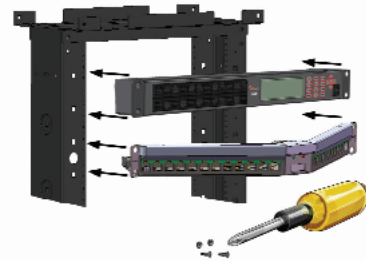
MapIT® G2 Control Panel to SPPA Instructions



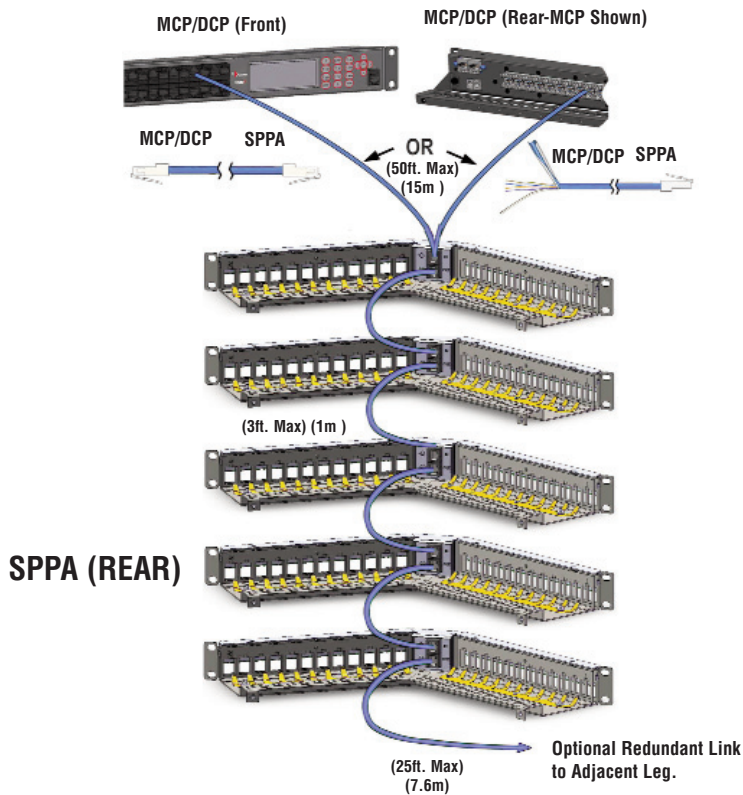
Tools Required

- Ⓐ CPT-RGTP
- Ⓑ S814-110
- Ⓒ Diagonal Cutter (CI-Cutter)
- Ⓓ Philips/Flathead Screwdrivers
- Ⓔ PT-908

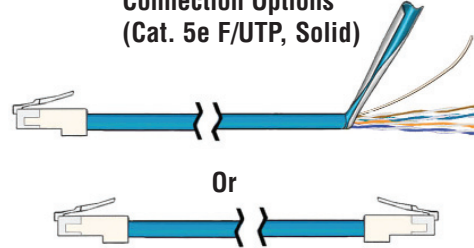
1



MCP or DCP to SPPA



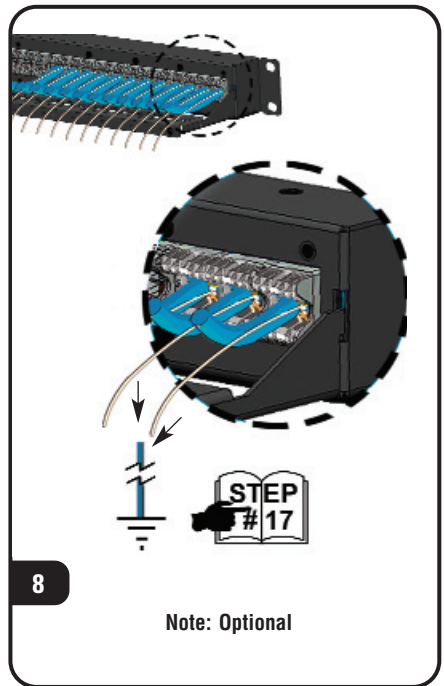
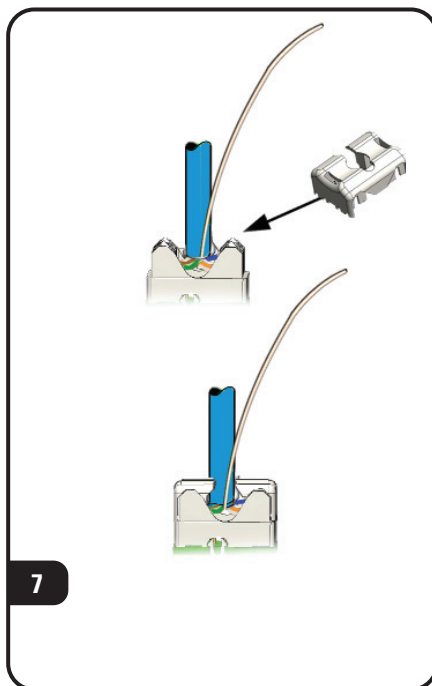
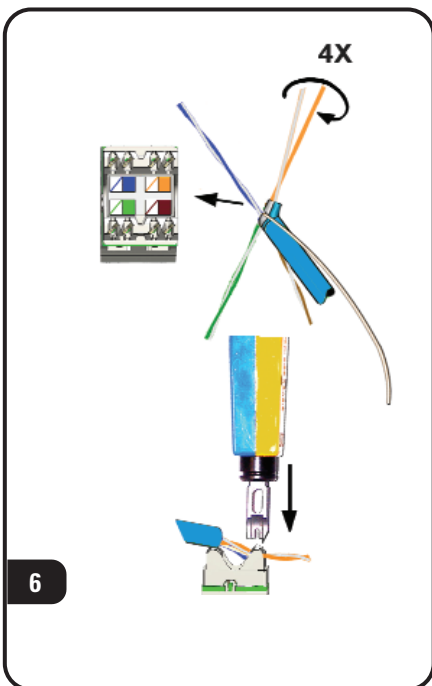
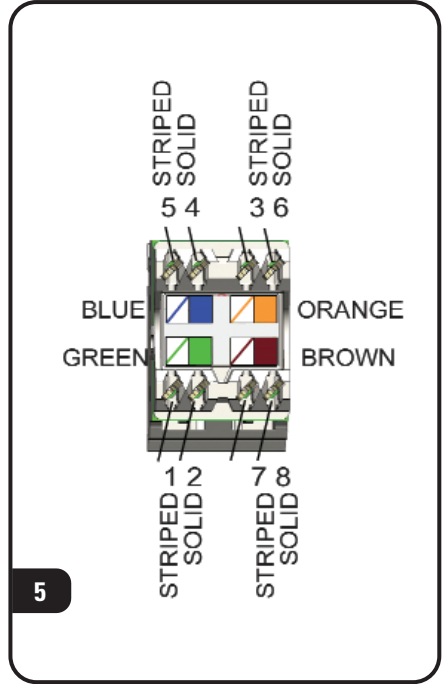
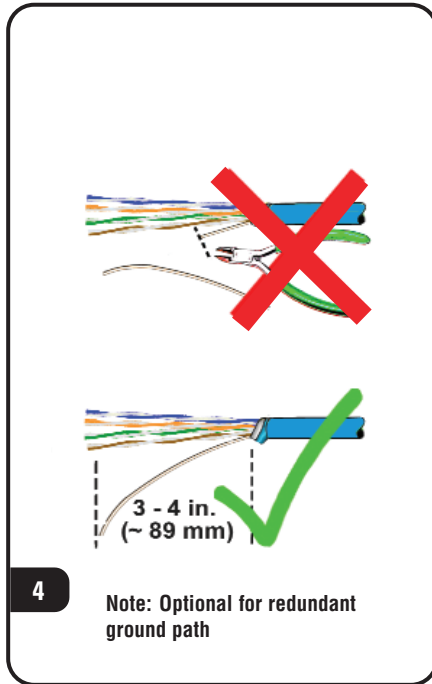
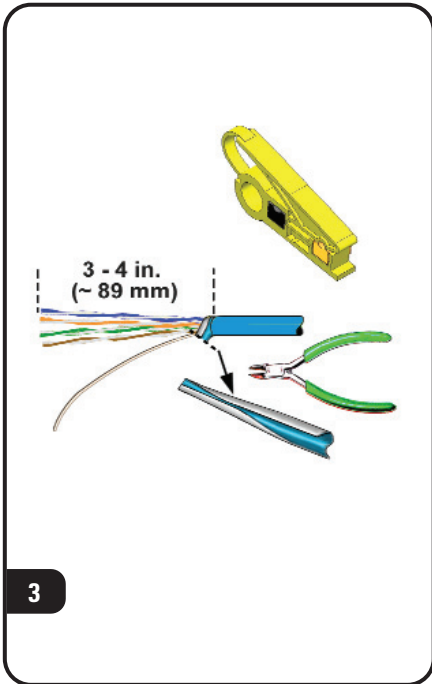
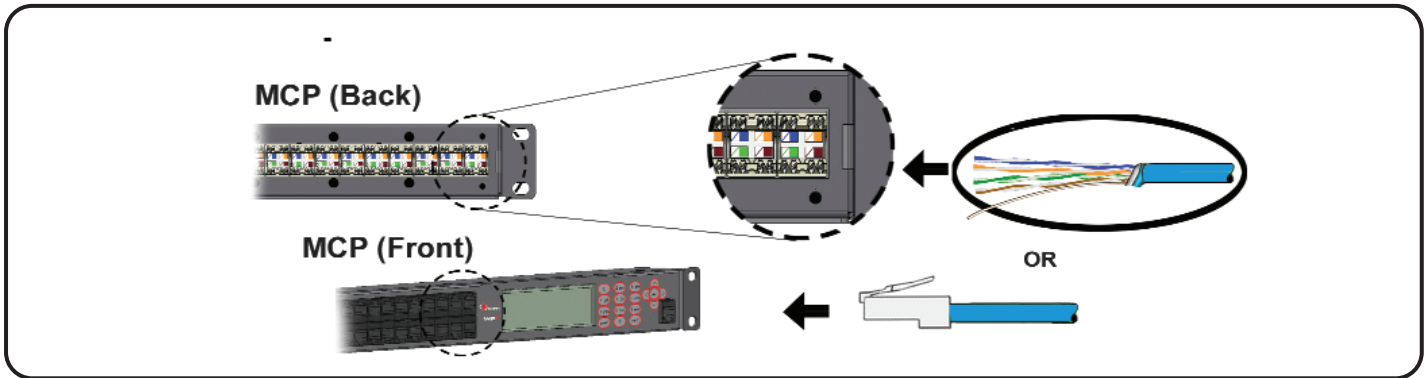
Connection Options (Cat. 5e F/UTP, Solid)



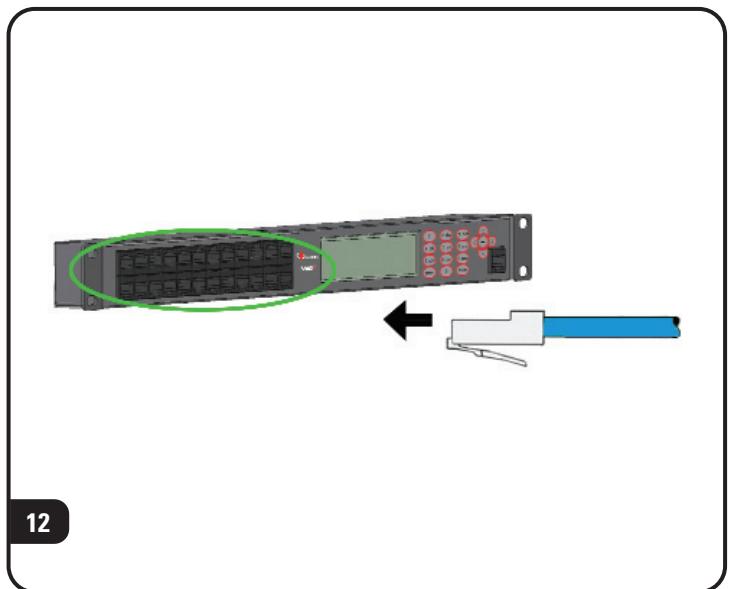
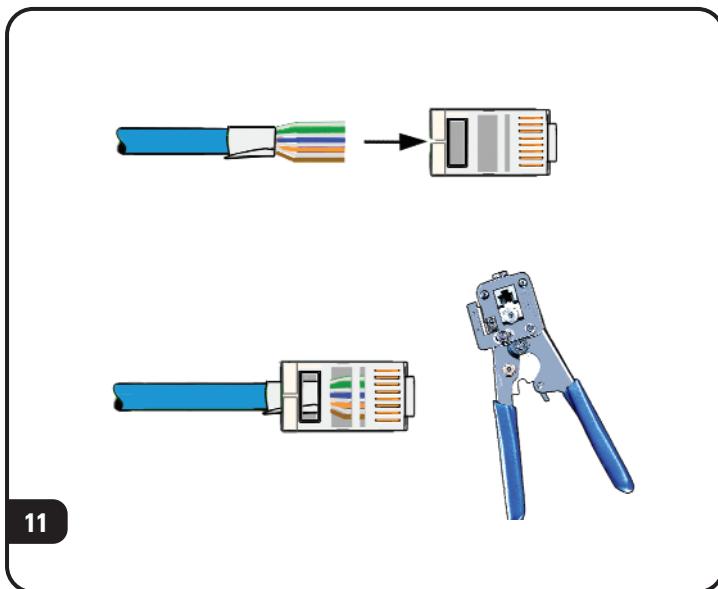
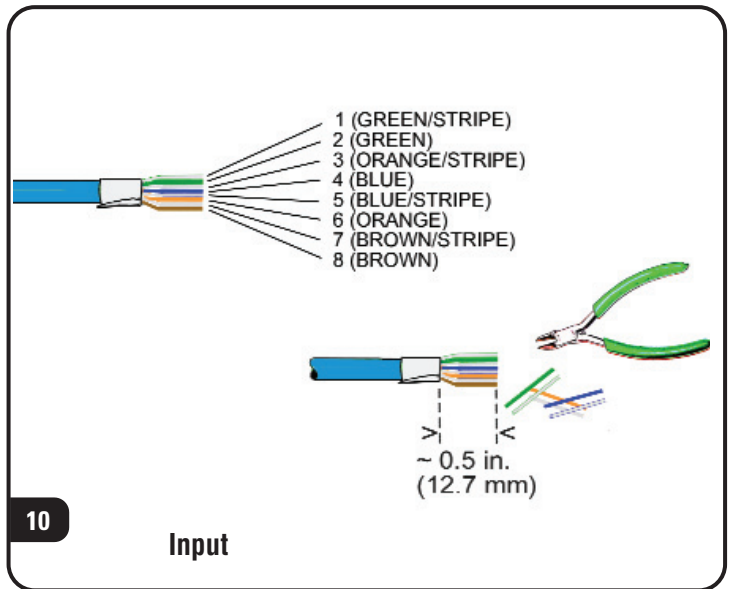
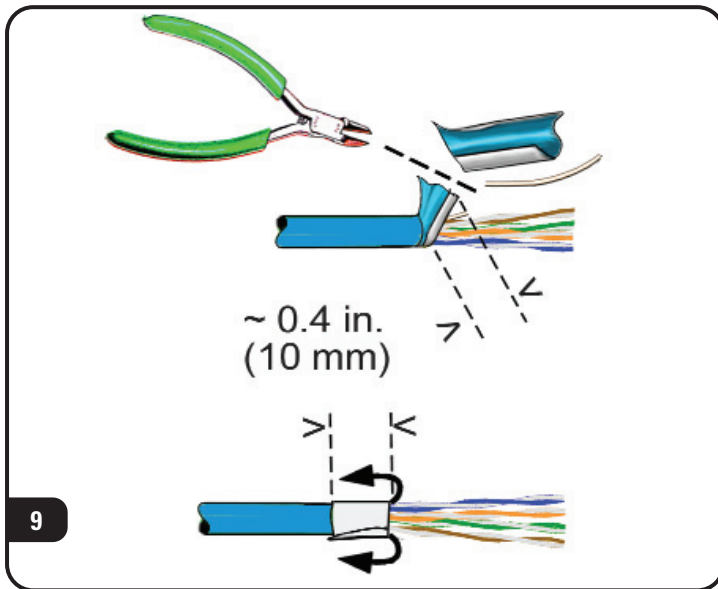
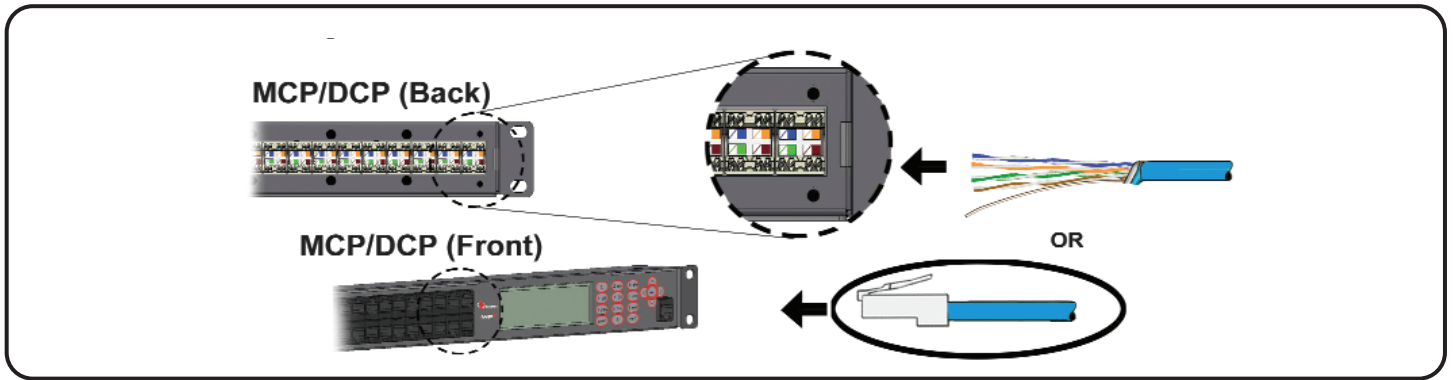
2

(Applicable to both: Keystone MapIT SPPA Panels and TERA MapIT SPPA panels)

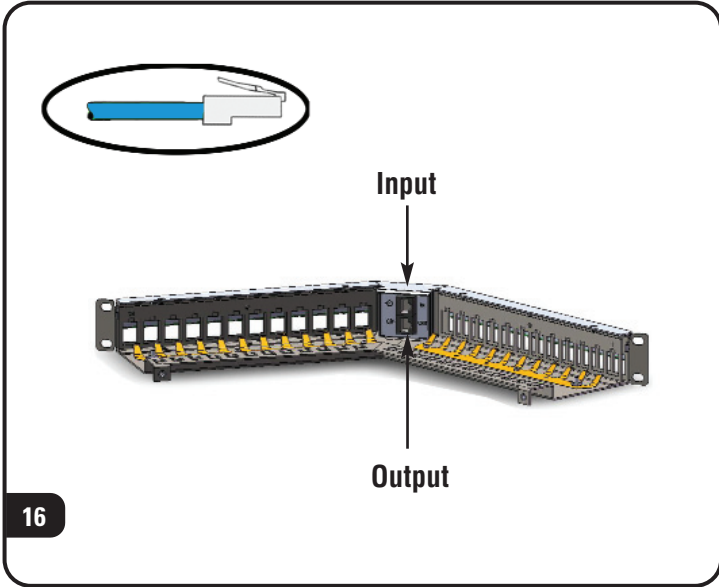
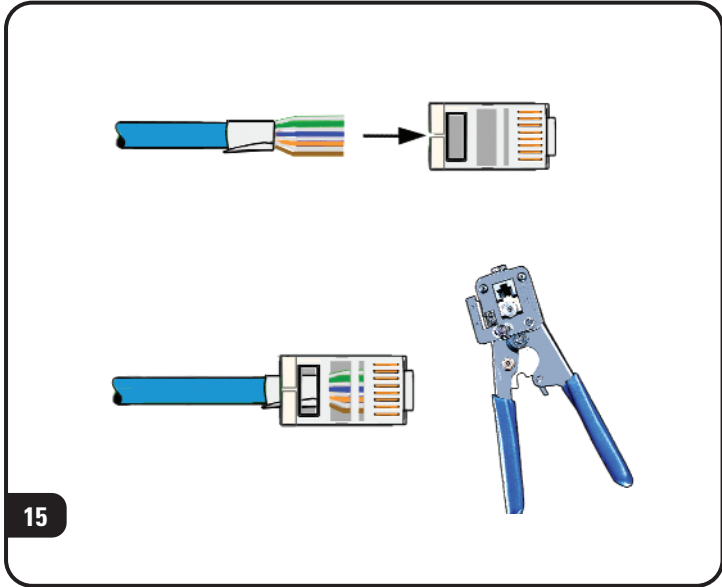
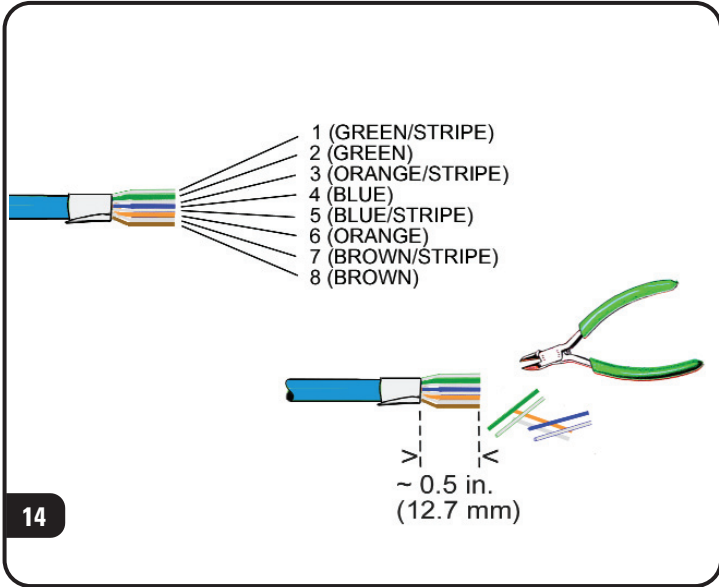
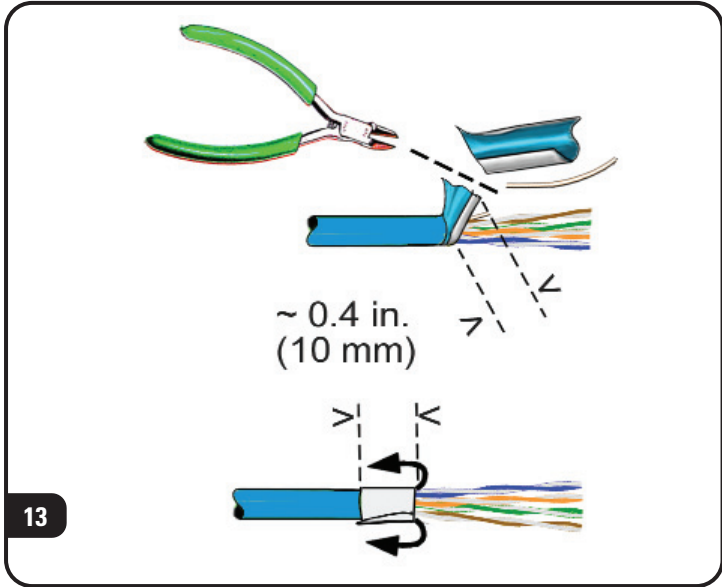
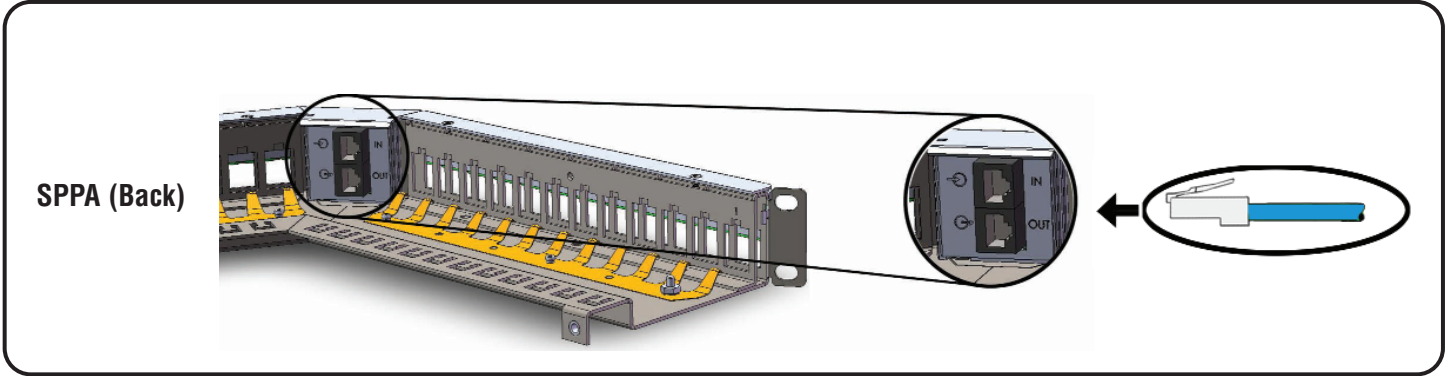
MapIT® G2 Control Panel to SPPA Instructions



MapIT® G2 Control Panel to SPPA Instructions



MapIT® G2 Control Panel to SPPA Instructions

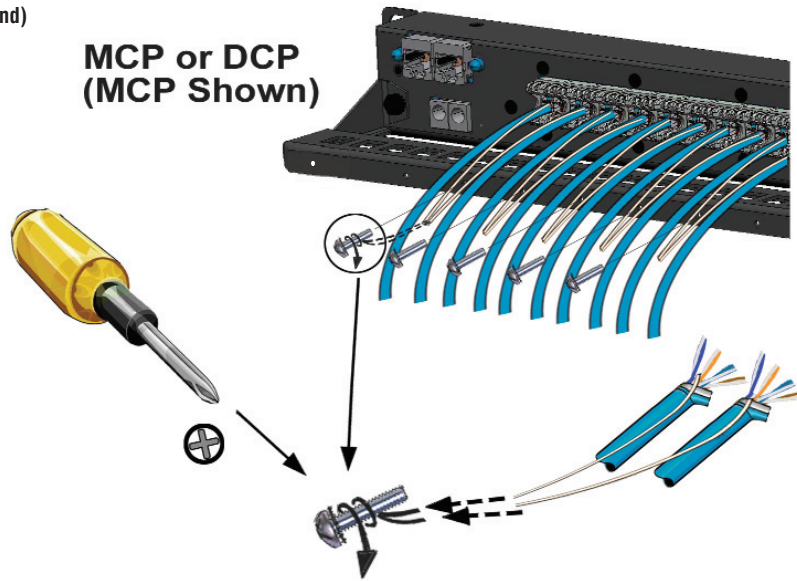


MapIT® G2 Control Panel to SPPA Instructions

Drain Wire Terminations

Note: (Optional for redundant shield path to ground)

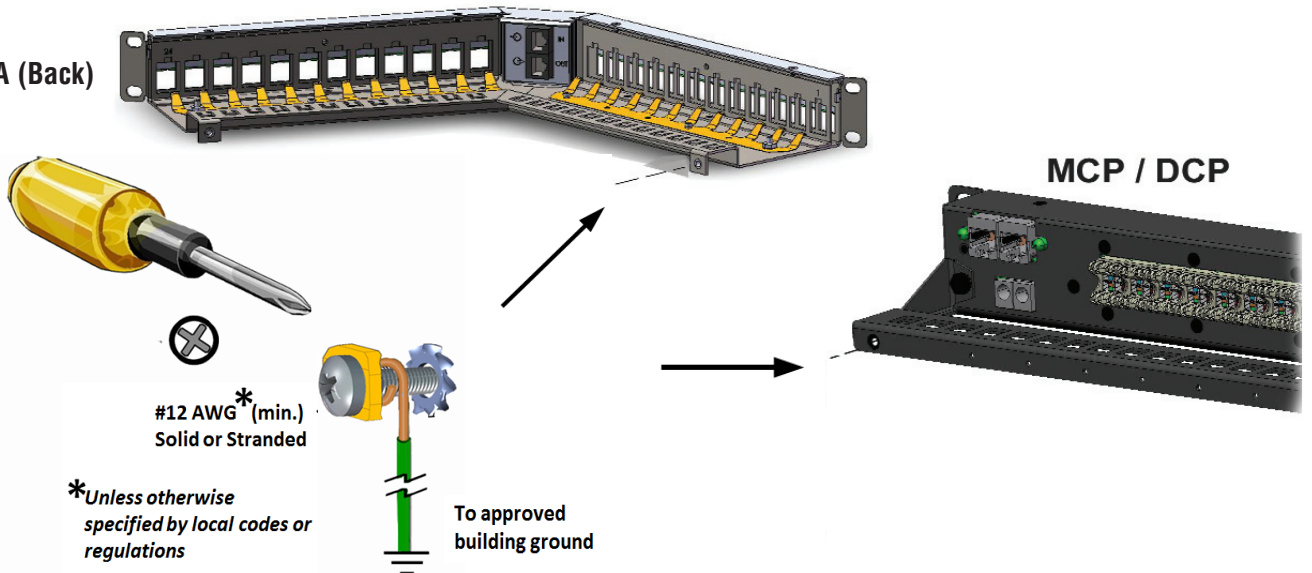
MCP or DCP
(MCP Shown)



17

Ground Wire Terminations

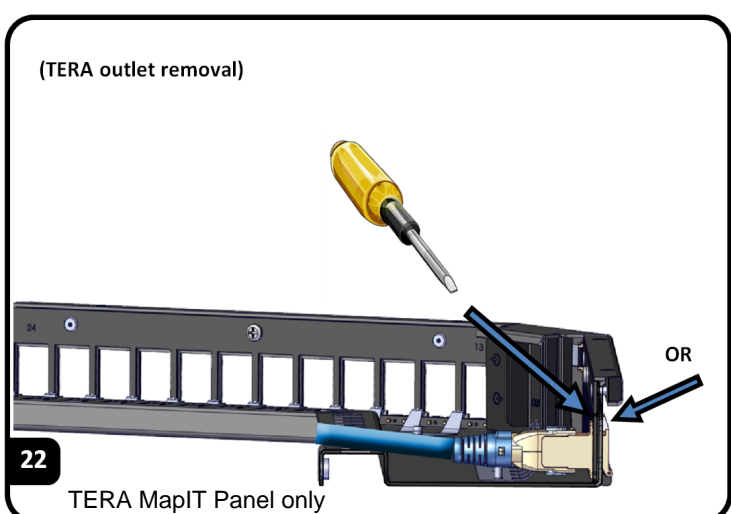
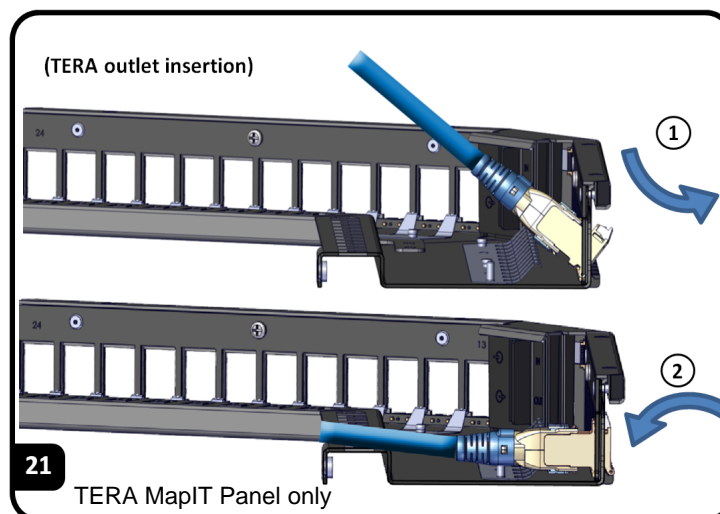
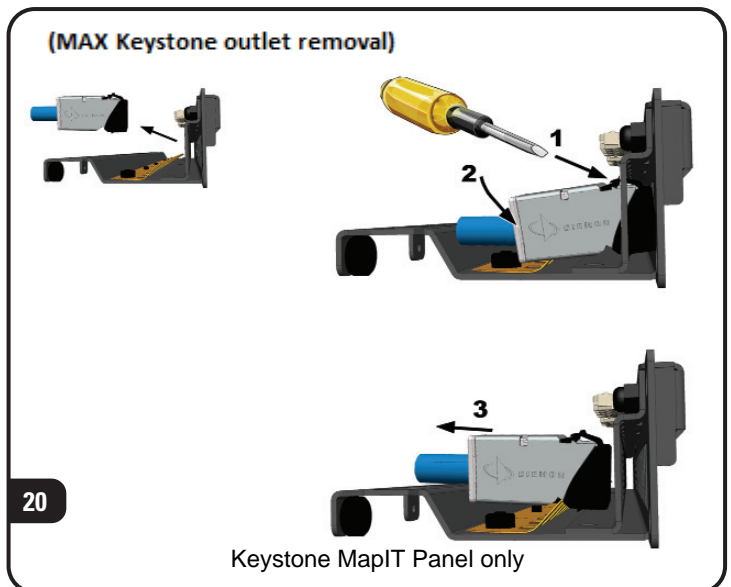
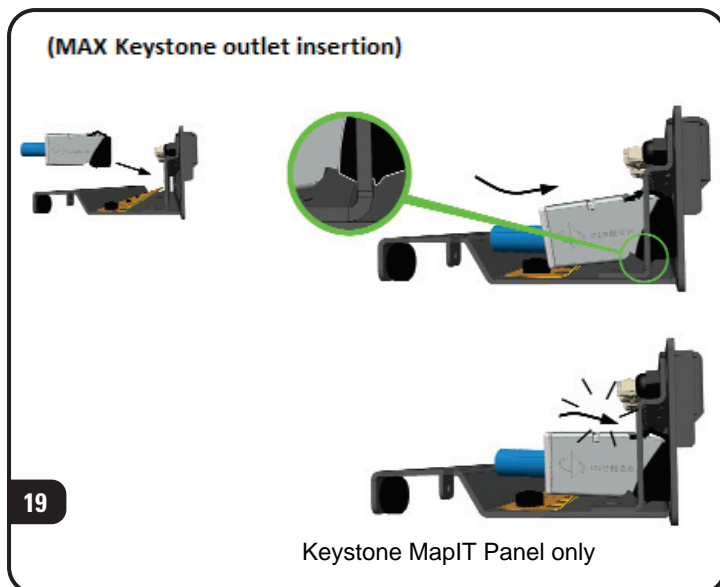
SPPA (Back)



18

MapIT® G2 Control Panel to SPPA Instructions

(Note: Reference separate instructions for individual MAX Keystone style or TERA outlet terminations.)



To assist safe installations, comply with the following:

- A. Use caution when installing or modifying telecommunications circuits.
- B. Never touch uninsulated wire terminals unless the circuit has been disconnected.
- C. Never install this device in a wet location.
- D. Never install wiring during a lightning storm.

Lors de l'installation, respectez les consignes de sécurité suivantes:

- A. Utiliser avec prudence lors de l'installation ou de la modification circuits de télécommunications.
- B. Ne jamais toucher les bornes de fil métallique non isolés sauf si le circuit a été débranché.
- C. Ne jamais installer cet appareil dans un endroit humide.
- D. Ne jamais installer pendant un orage.

Global Headquarters
Watertown, Connecticut USA
Tel: (1) 866-548-5814

For a complete listing of our global offices visit our web site

To ensure you have the latest revision to this document,
please visit: <http://www.siemon.com/us>

