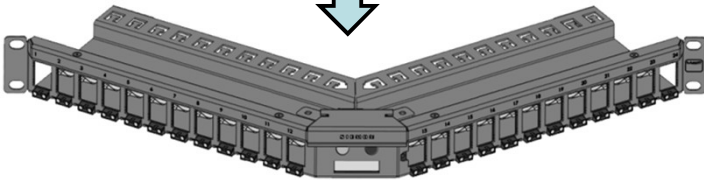
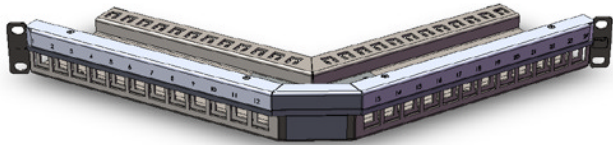


# MapIT® G2 TERA SPPA Upgrade Instructions

MapIT G2 Ready Panel



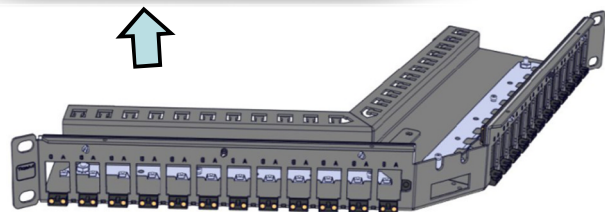
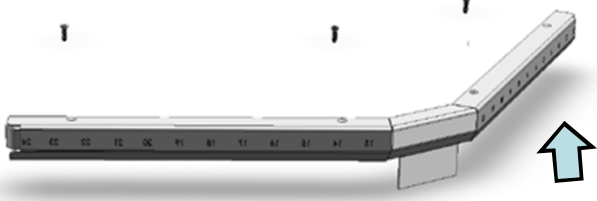
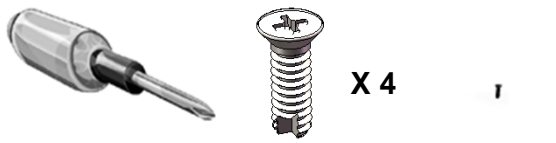
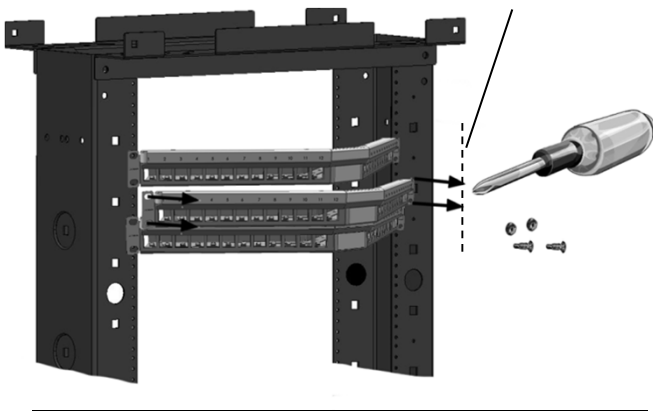
MapIT G2 Smart Panel

Upgrade Kit  
M-SPPAT-PCBA-24

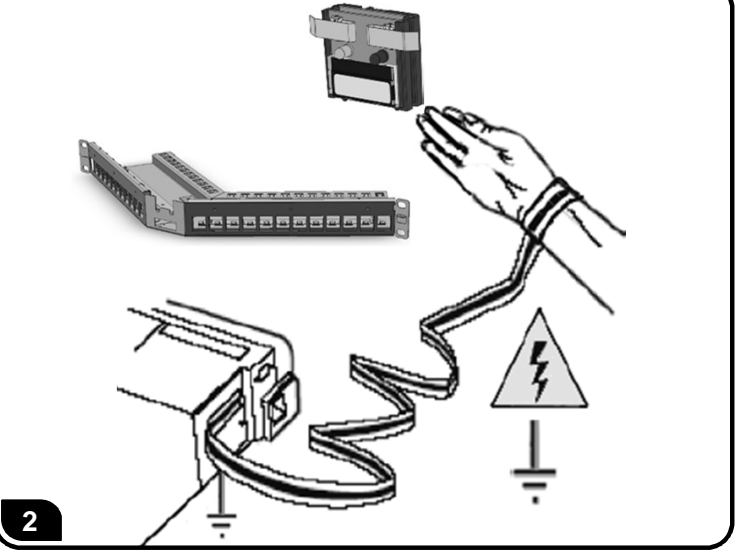


Tools

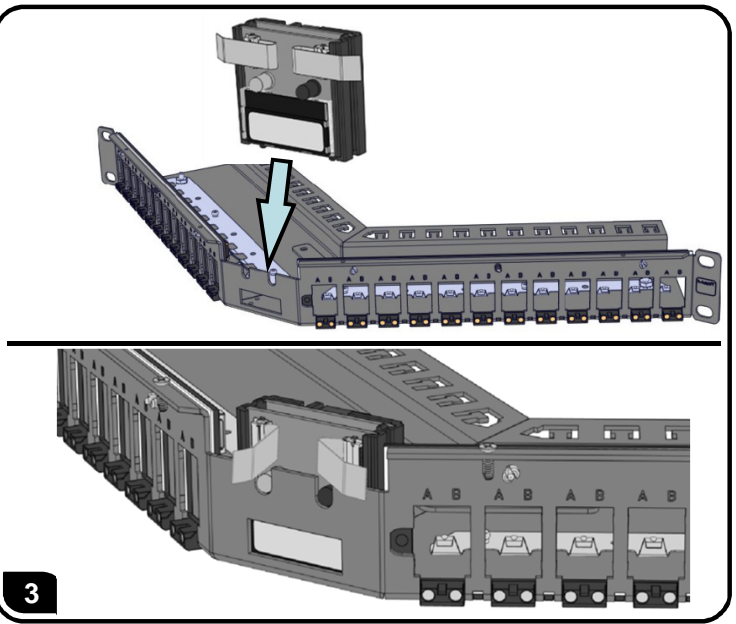
If panel is terminated with cable, partially detach from rack - pull out ~ 3 – 4 in. (75–100mm) to access cover screws.



1

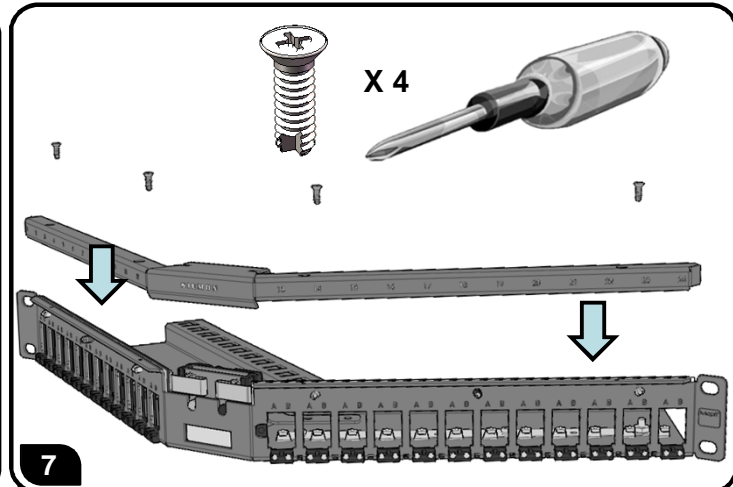
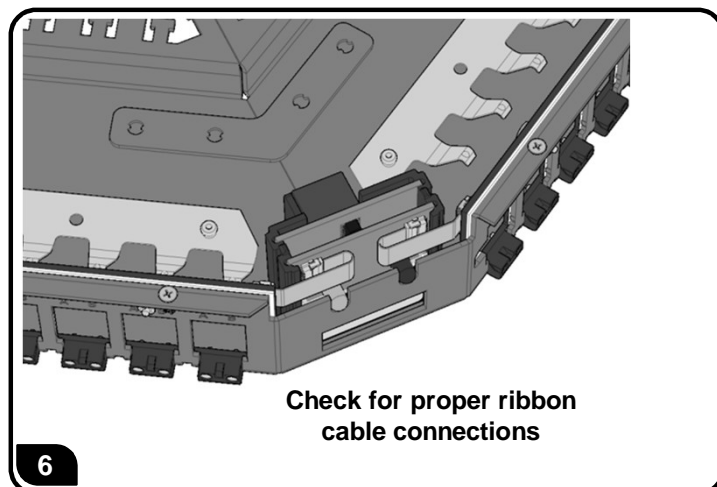
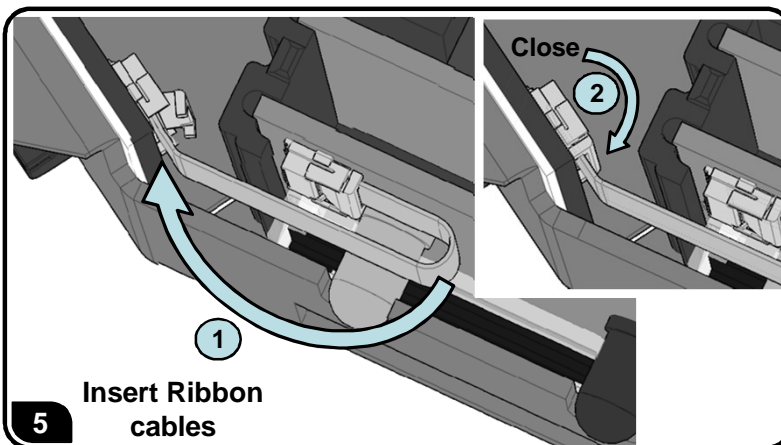
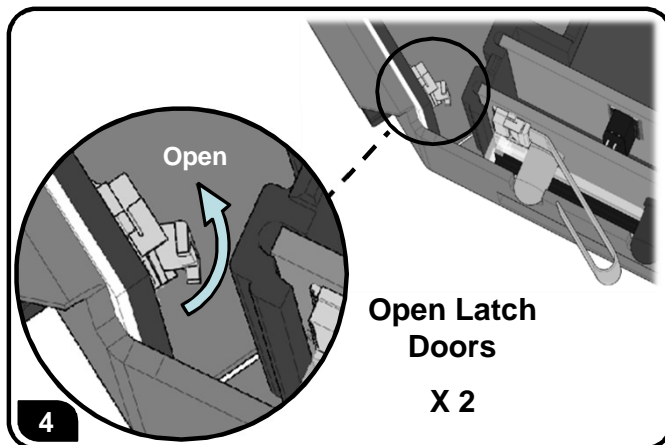


2



3

# MapIT® G2 TERA SPPA Upgrade Instructions



**Before re-securing panel to rack: Adhere safety compliance sticker and new part number sticker provided over existing MapIT ready part number sticker on bottom of panel.**

**8**

M - XXX - XXXX - XX

SIEMON®

MapIT G2

DATE: 10174

SN: 000643

CE

N14839

This device complies with part 15 of the FCC Rules. Operation is subject to the following two conditions: (1) This device may not cause harmful interference, and (2) this device must accept any interference received, including interference that may cause undesired operation.

This Class A digital apparatus complies with Canadian ICES-003.

Cet appareil numérique de la classe A est conforme à la norme NMB-003 du Canada.

To ensure you have the latest revision to this document, please visit: [www.siemon.com/us](http://www.siemon.com/us)

For additional setup and control cable connections, see: **MapIT G2 Control Panel to SPPA:**

**To assist safe installations, comply with the following:**

- A. Use caution when installing or modifying telecommunications circuits.
- B. Never touch uninsulated wire terminals unless the circuit has been disconnected.
- C. Never install this device in a wet location.
- D. Never install wiring during a lightning storm.

**Lors de l'installation, respectez les consignes de sécurité suivantes:**

- A. Utiliser avec prudence lors de l'installation ou de la modification circuits de télécommunications.
- B. Ne jamais toucher les bornes de fil métallique non isolés sauf si le circuit a été débranché.
- C. Ne jamais installer cet appareil dans un endroit humide.
- D. Ne jamais installer pendant un orage.

Global Headquarters  
Watertown, Connecticut USA  
Tel: (1) 866-548-5814



For a complete listing of our global offices visit our web site