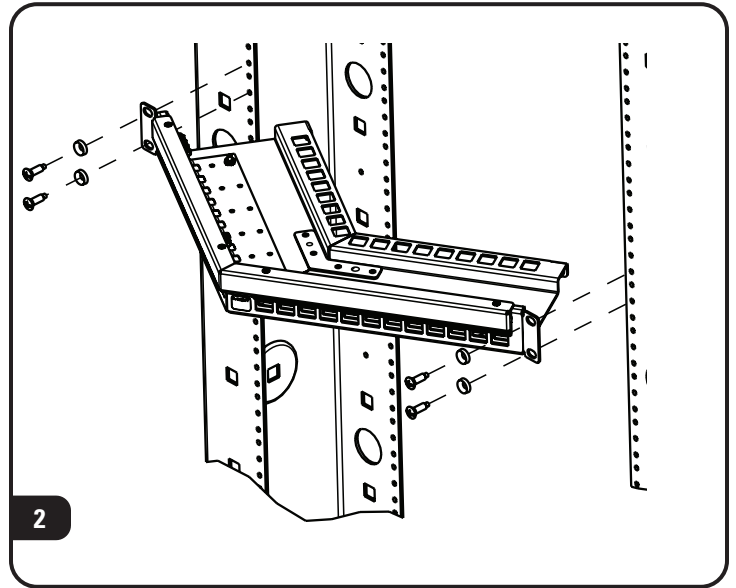
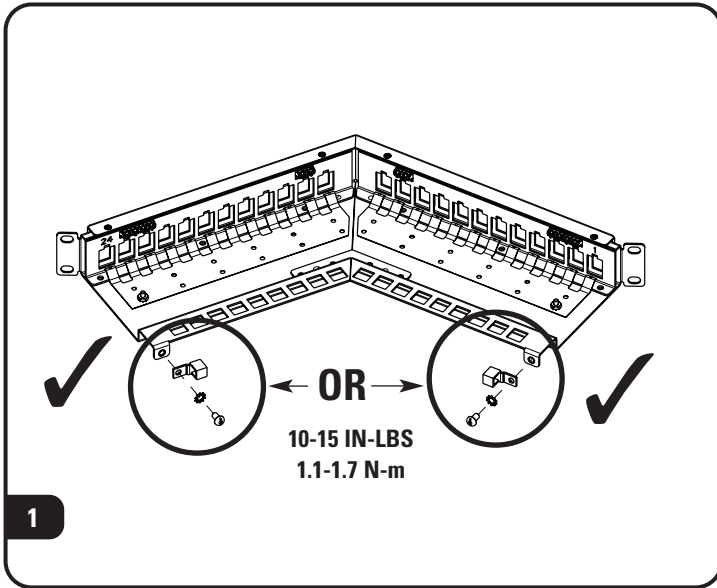
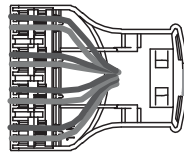


# 10G 6A™ F/UTP ANGLED SCREENED MapIT™ PATCH PANEL



## STEPS 5-9

PANEL

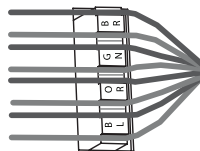


ANALYZER

OR

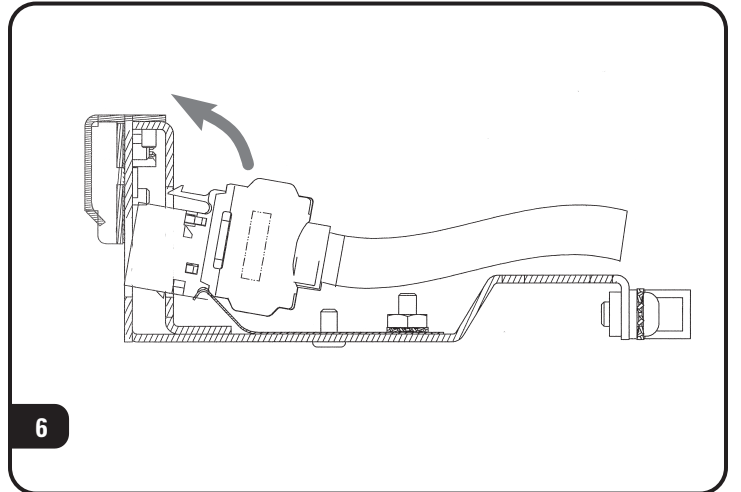
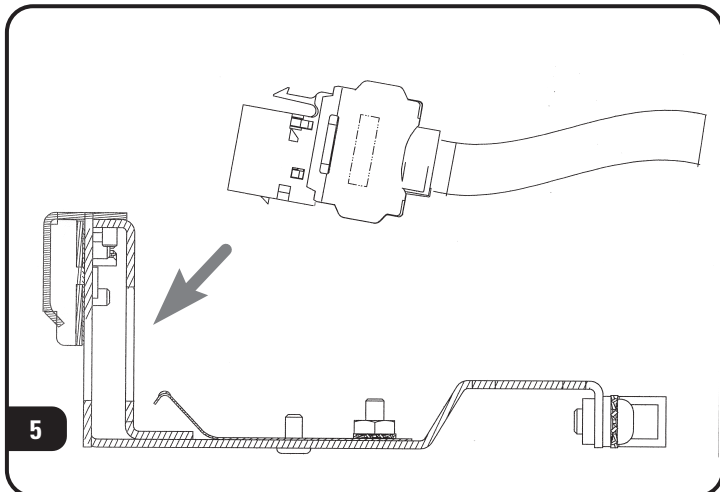
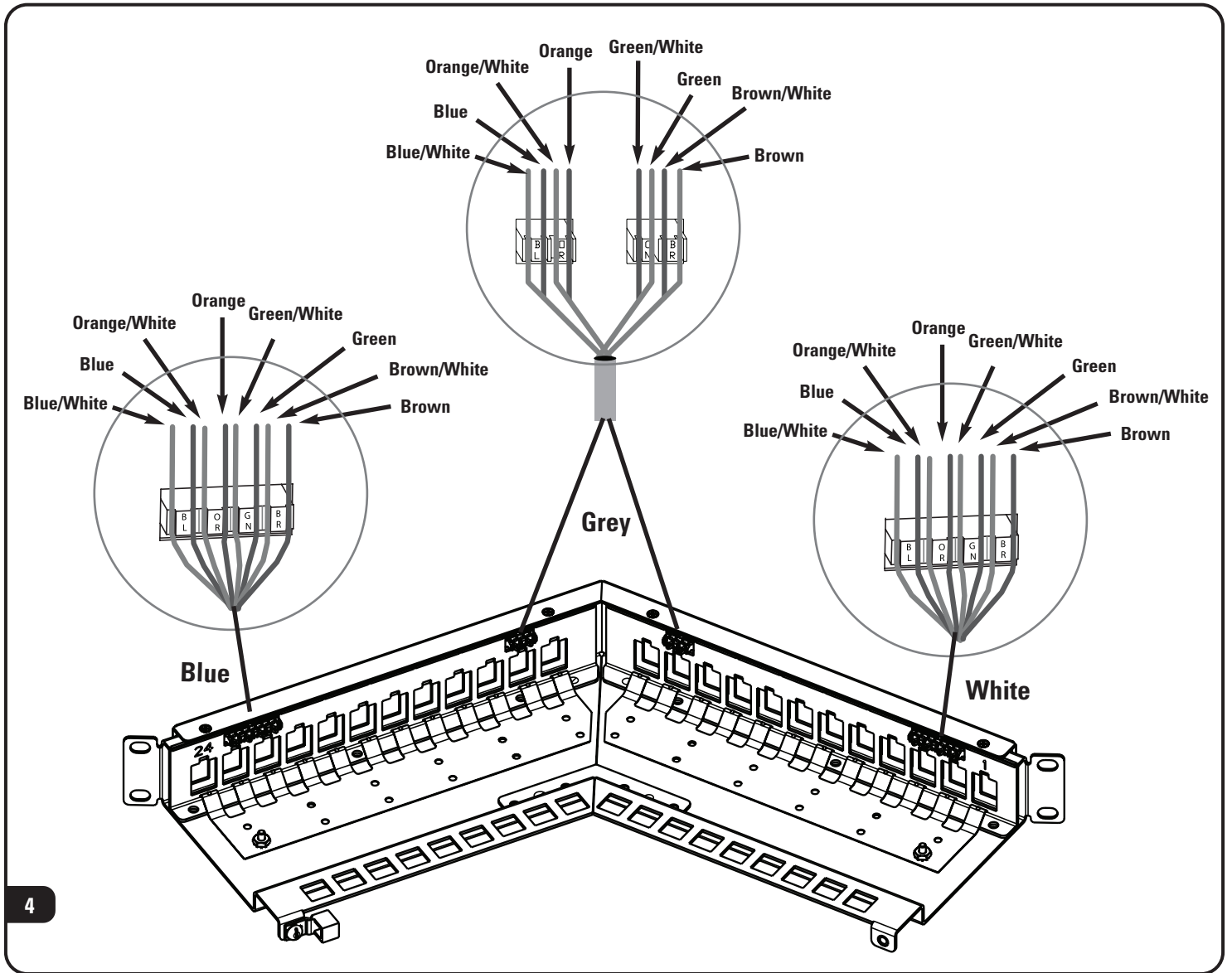
## STEPS 4-6

PANEL

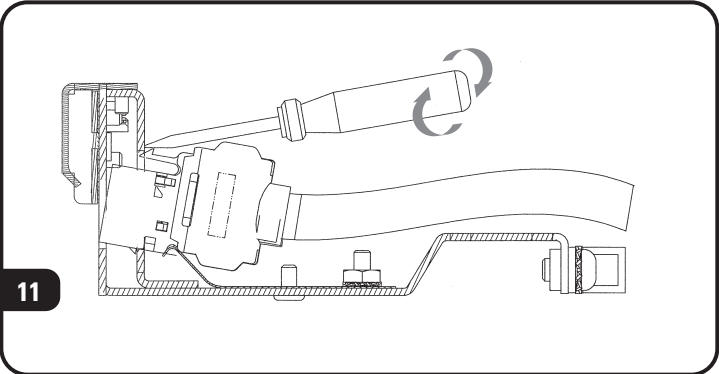
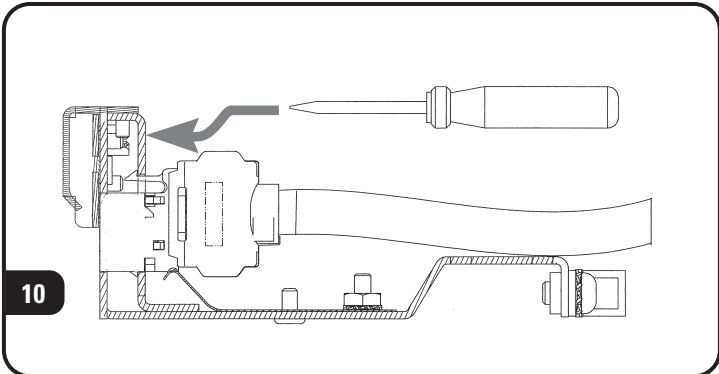
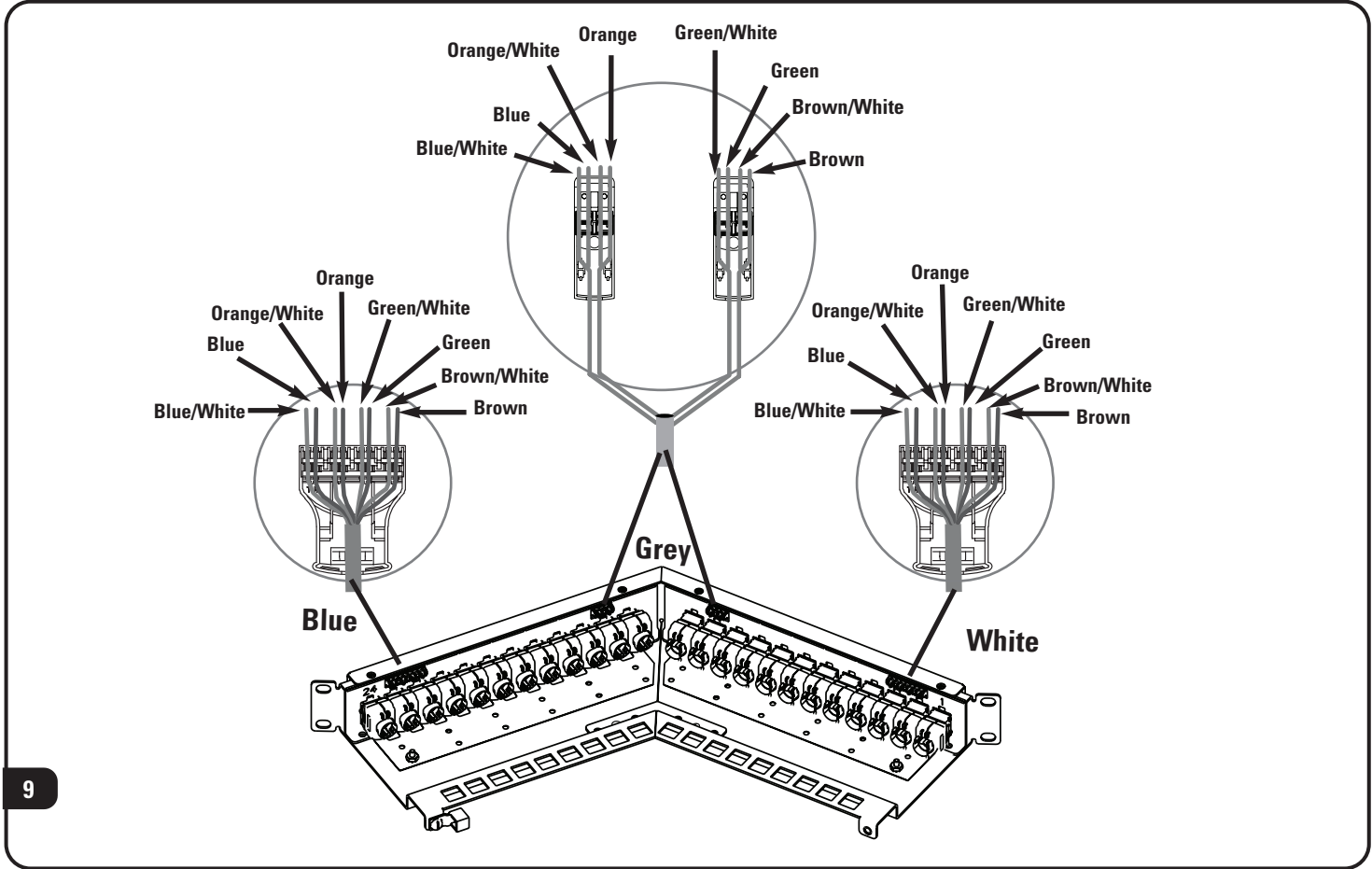
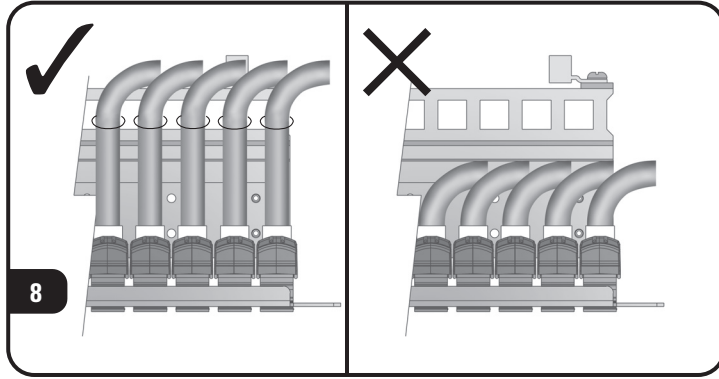
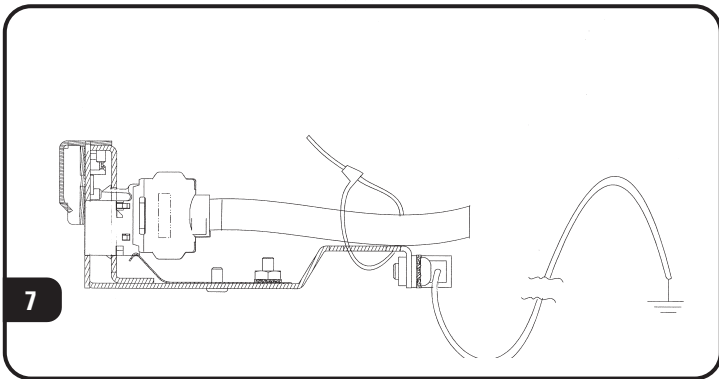


ANALYZER

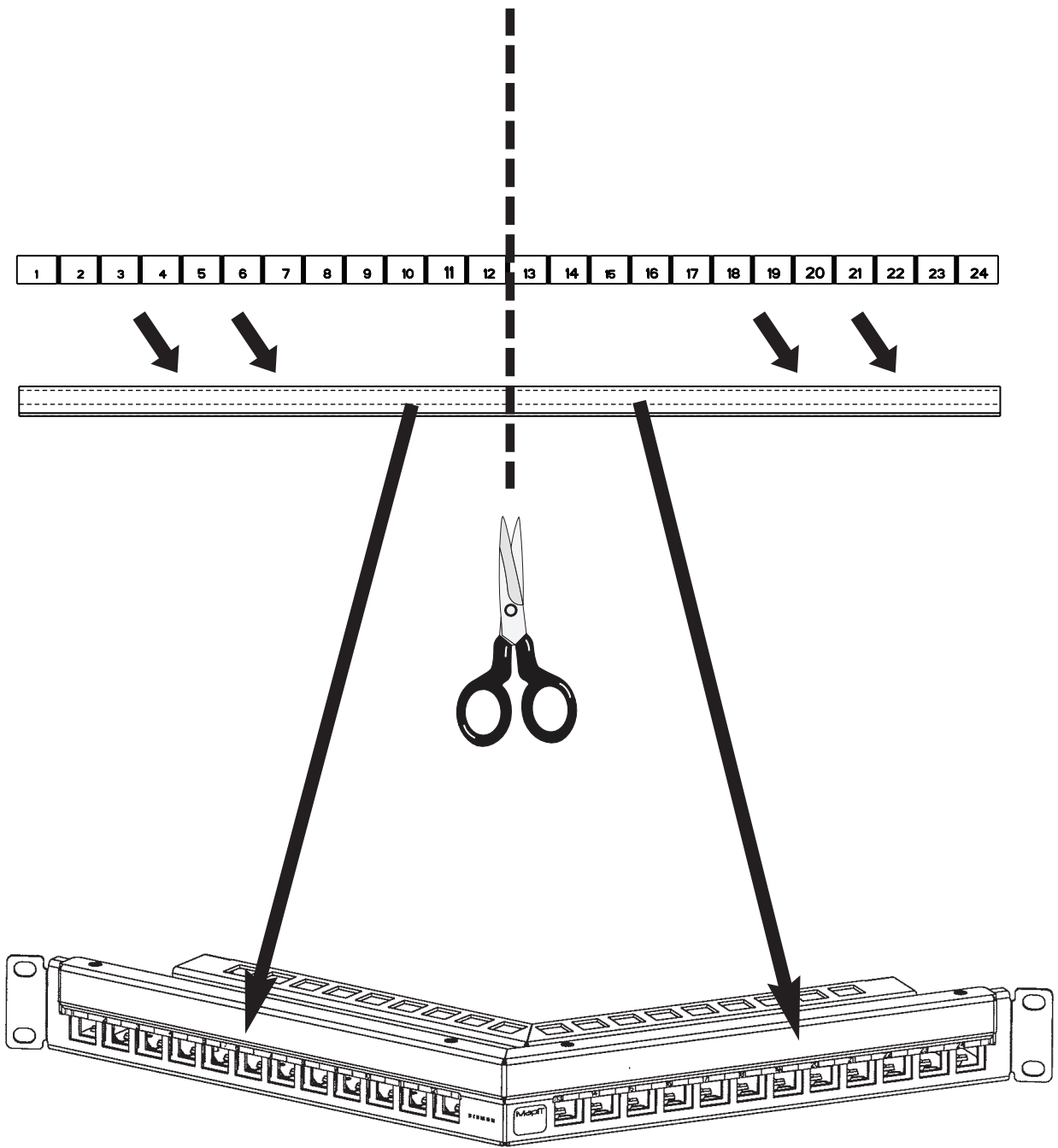
# 10G 6A™ F/UTP ANGLED SCREENED MapIT™ PATCH PANEL



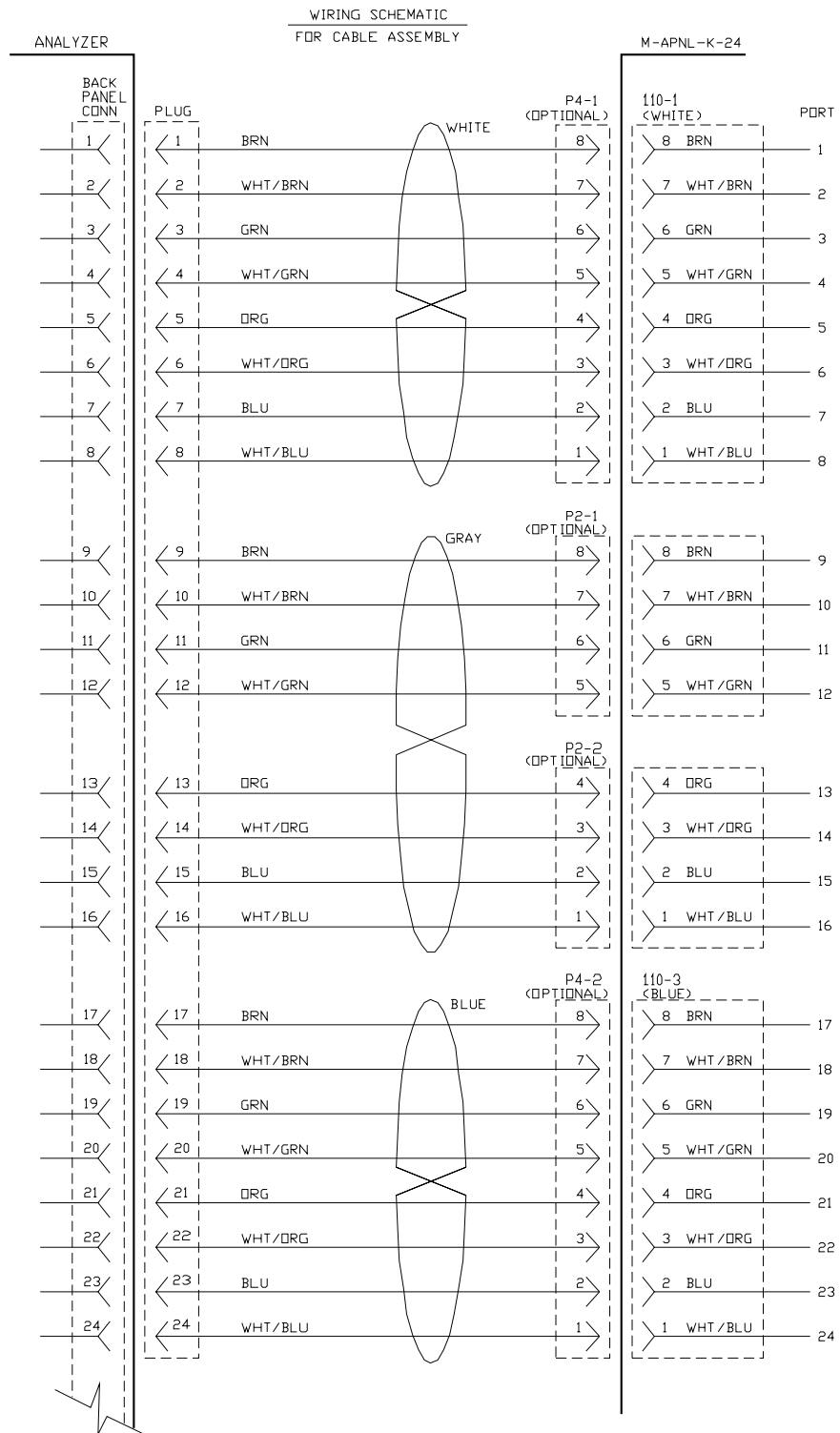
# 10G 6A™ F/UTP ANGLED SCREENED MapIT™ PATCH PANEL



# 10G 6A™ F/UTP ANGLED SCREENED MapIT™ PATCH PANEL



# 10G 6A™ F/UTP ANGLED SCREENED MapIT™ PATCH PANEL



**To assist safe installations, comply with the following:**

- A. Use caution when installing or modifying telecommunications circuits.
- B. Never touch uninsulated wire terminals unless the circuit has been disconnected.
- C. Never install this device in a wet location.
- D. Never install wiring during a lightning storm.



**Siemon — Asia Pacific  
Headquarters**

Shanghai, China  
Tel: (86) 21 6390 6778

**Siemon — EMEA Headquarters**

Chertsey Surrey, England  
Tel: (44) (0) 1932 571771

**Siemon — North America Headquarters**

Watertown, Connecticut  
Tel: (1) 866-548-5814

**Siemon — CASA Headquarters  
Central & South America**

Bogota, Columbia  
Tel: (011) 571 317 2121

**Siemon — Japan Headquarters**

Tokyo, Japan  
Tel: (81) 3 5437 1580

