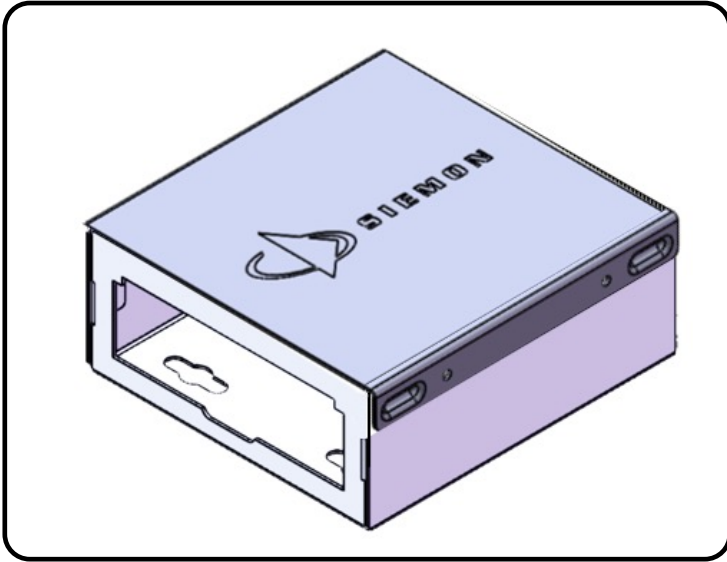


LightVerse® Wall Mount Enclosure – Mini



A.



B.



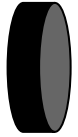
Tools

- A. Diagonal cutters
- B. Philips screwdriver

A.



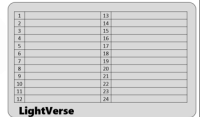
B.



C.

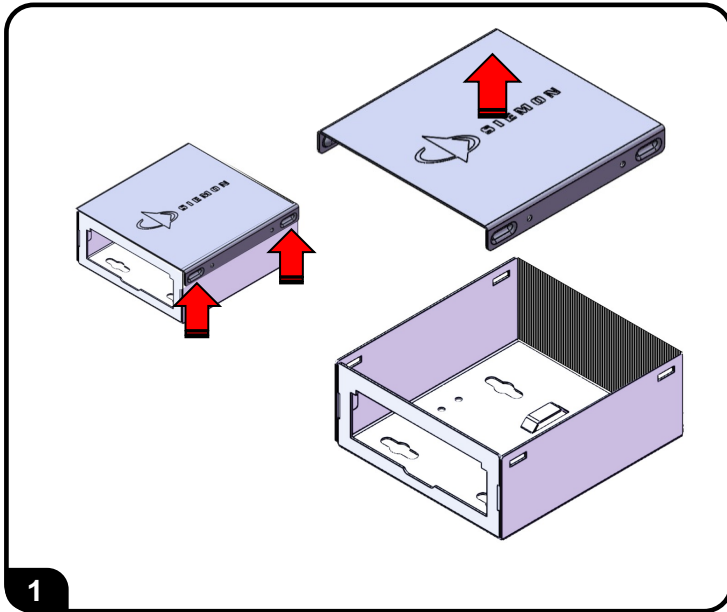


D.

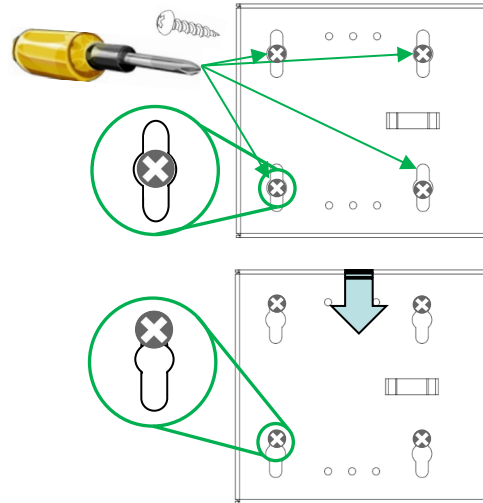


Hardware

- A. Screw Philips 15mm (4 ea.)
- B. Velcro loops (2 ea.)
- C. DIN rail screws Philips 6mm (4 ea.)
- D. DIN rail clips (2 ea.)
- E. Label



1

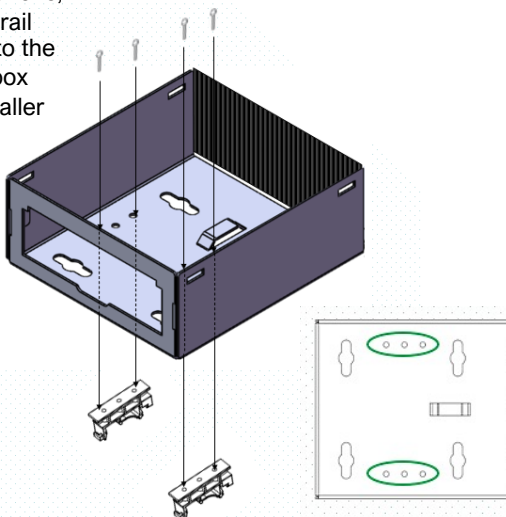


Use provided wood screws to secure to wall, or under a desk for Fiber to the Desk applications.

2

Wall Mount

For DIN applications, attach the DIN rail securing clips to the bottom of the box utilizing the smaller screw set.



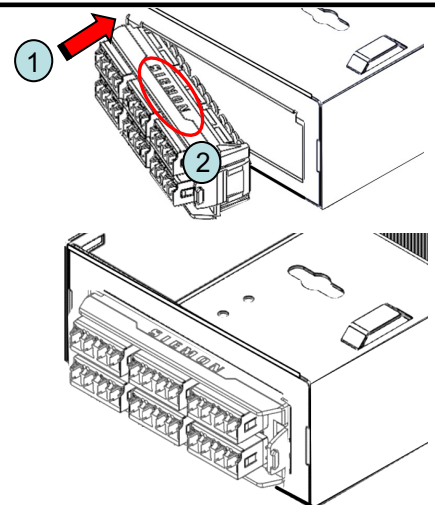
3

DIN Rail Mounting

To insert the adapter plate, ensure that the SIEMON logo is facing up as shown.

1. Insert the tab on the left side of the plate into the panel.

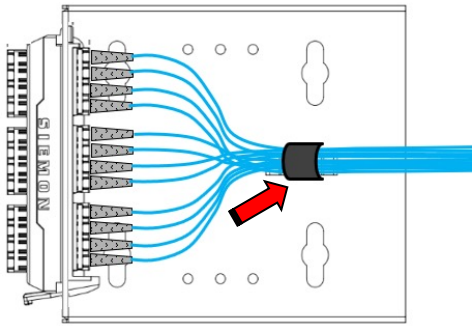
2. Rotate the latching side into the panel until it snaps into place.



4

LightVerse Adapter Plates

LightVerse® Wall Mount Enclosure – Mini

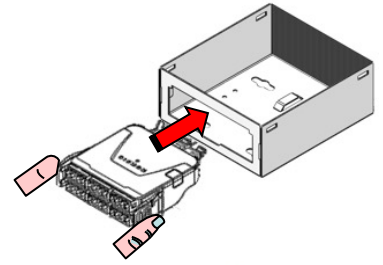


Adapter plates may be used with jacketed cable assemblies to provide support for pass through applications. Assemblies can be secured to the floor of the box utilizing the Velcro tie down. A velcro loop can be cut to correct size to accommodate the assembly.

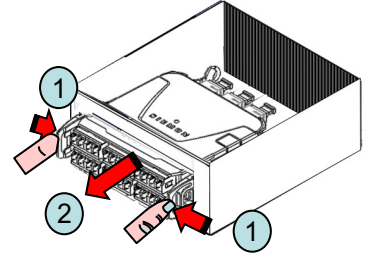
5

LightVerse Adapter Plates

To insert the module from the front of the wall mount, push it inward while compressing the front of the release tabs until locked into position.

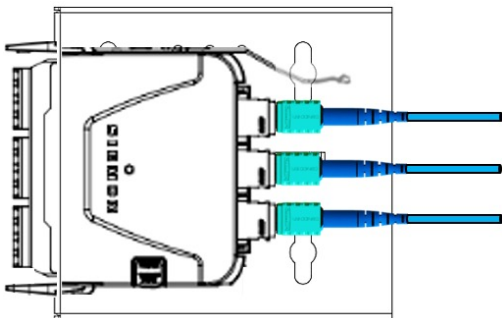


To remove, compress the front of the release tabs on each side of the module and pull forward.



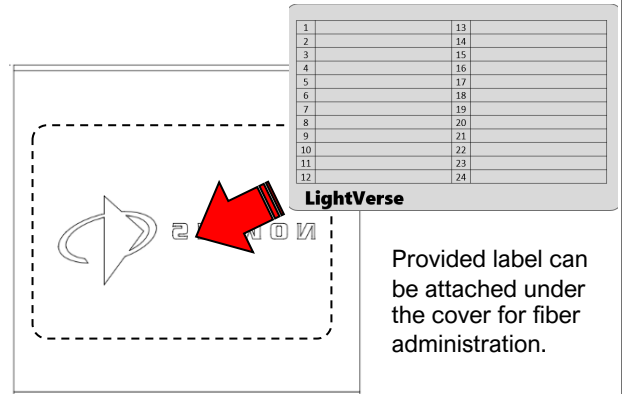
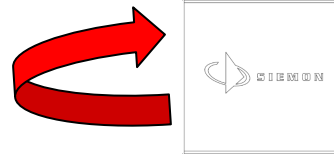
6

LightVerse Modules



7

LightVerse Plug & Play Module



Provided label can be attached under the cover for fiber administration.

9

To assist safe installations, comply with the following:

- A. Use caution when installing or modifying telecommunications circuits.
- B. Never touch uninsulated wire terminals unless the circuit has been disconnected.
- C. Never install this device in a wet location.
- D. Never install wiring during a lightning storm.

Lors de l'installation, respectez les consignes de sécurité suivantes:

- A. Utiliser avec prudence lors de l'installation ou de la modification circuits de télécommunications.
- B. Ne jamais toucher les bornes de fil métallique non isolés sauf si le circuit a été débranché.
- C. Ne jamais installer cet appareil dans un endroit humide.
- D. Ne jamais installer pendant un orage.

To ensure you have the latest revision to this document, please visit: www.siemon.com



Global Headquarters
Watertown, Connecticut USA
Tel: (1) 866-548-5814

For a complete listing of our global offices visit our website.