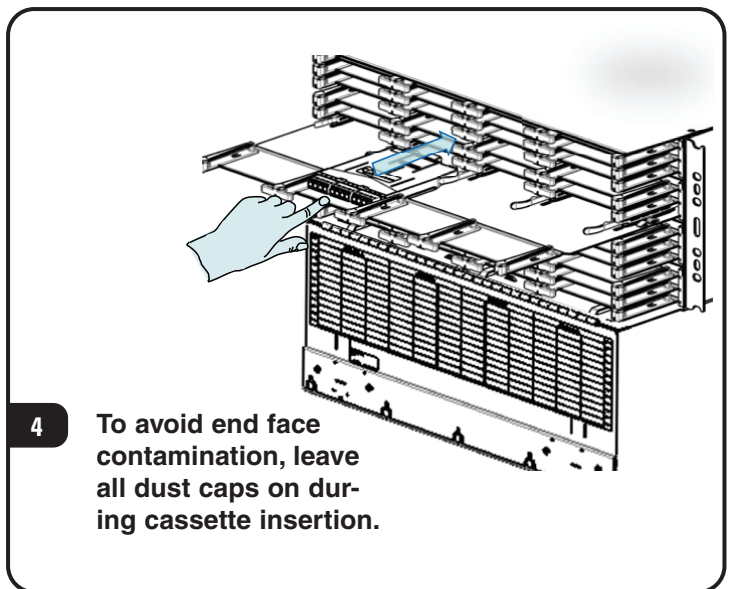
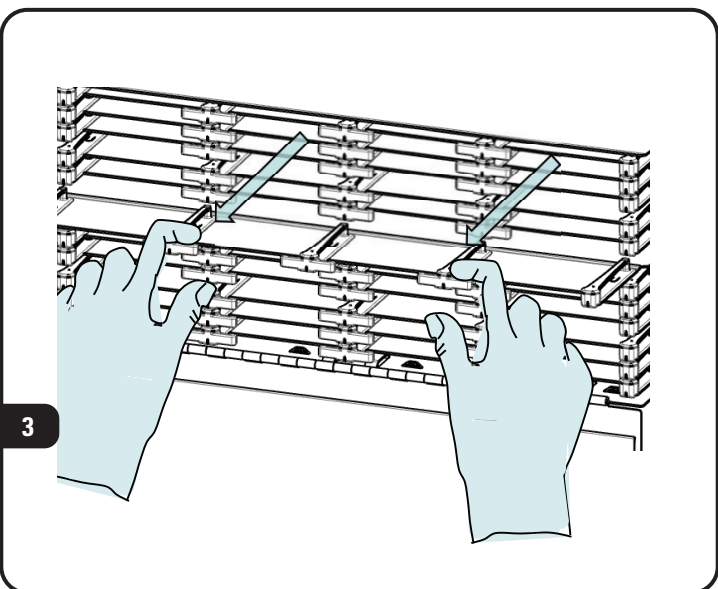
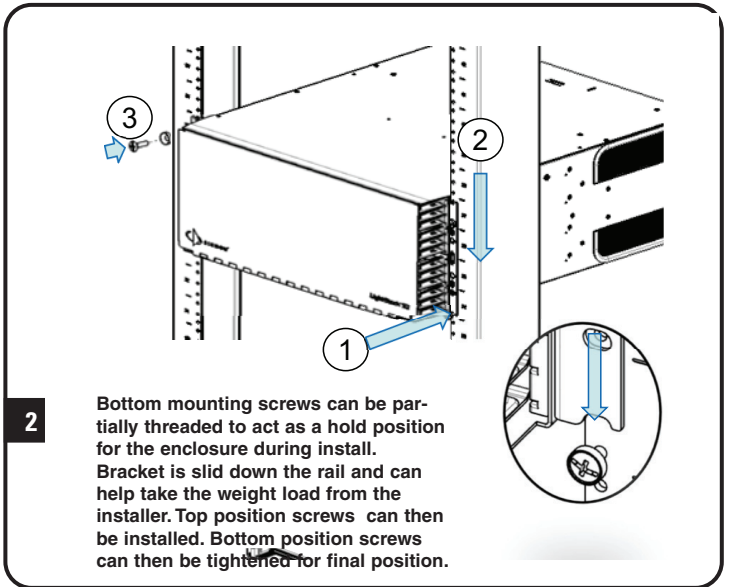
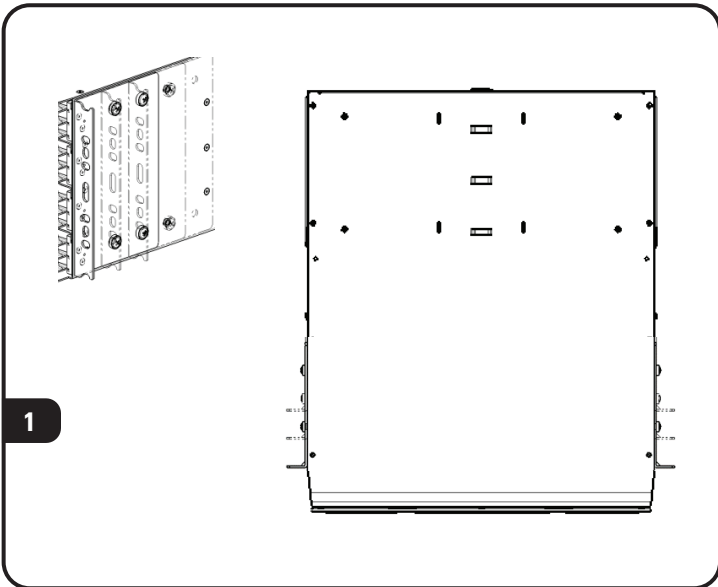
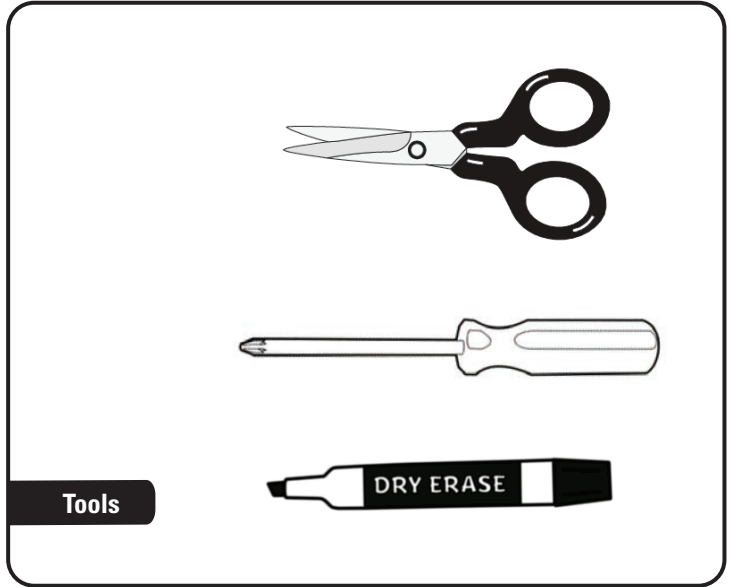
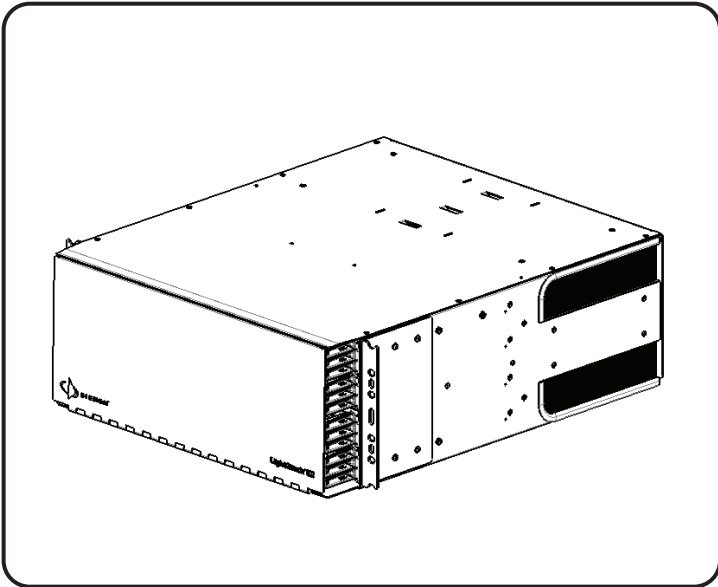
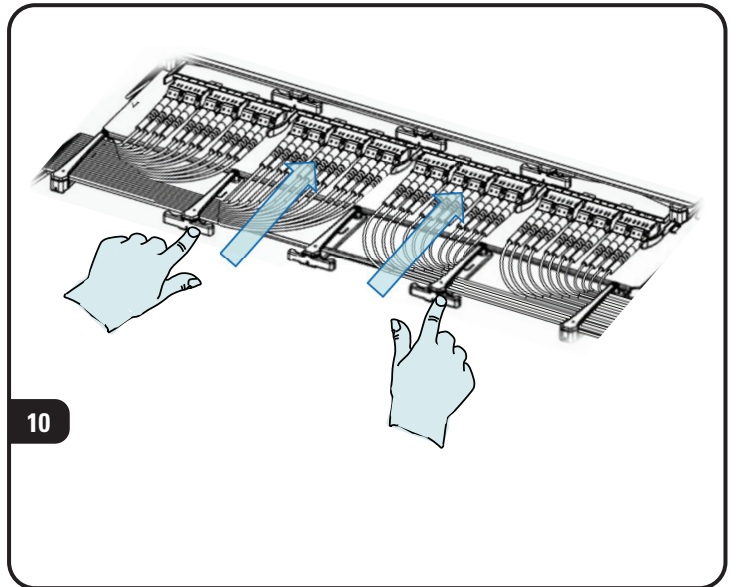
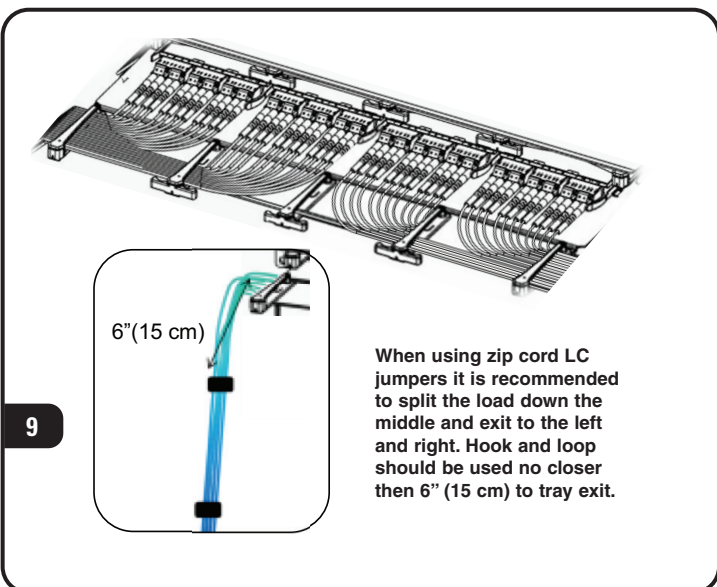
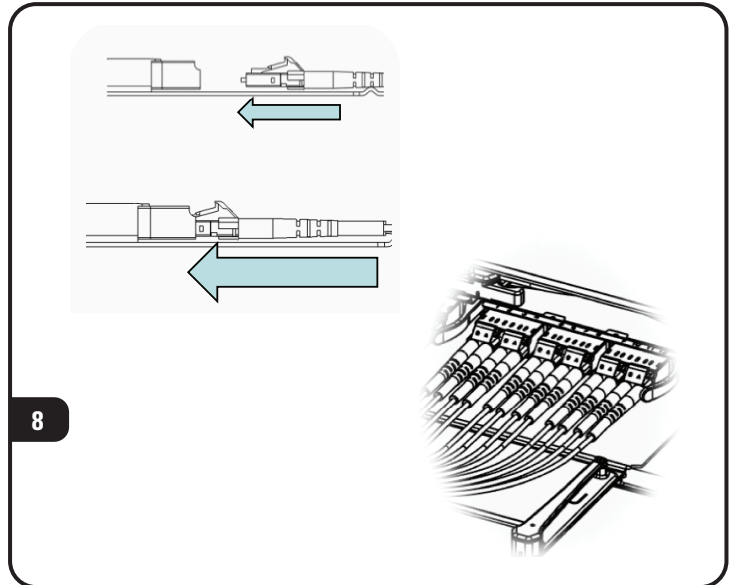
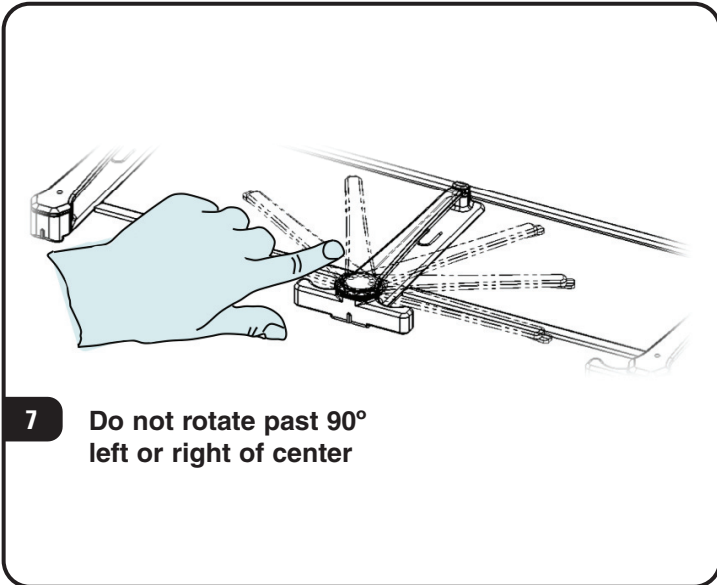
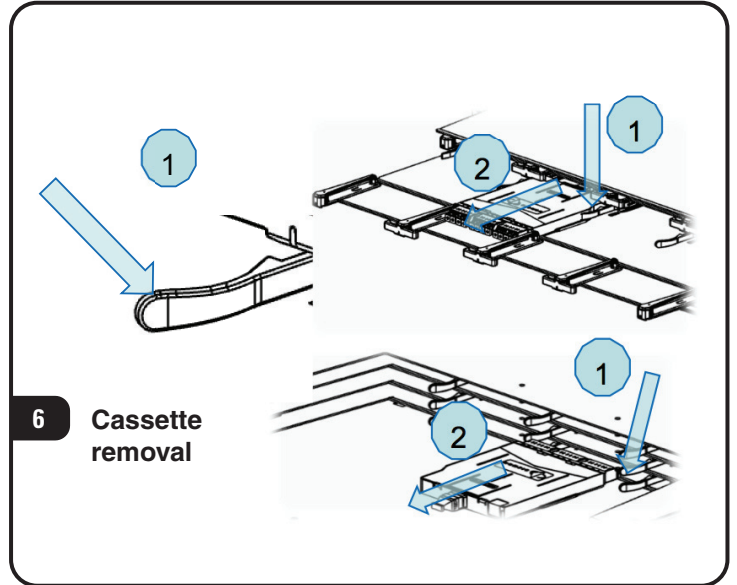
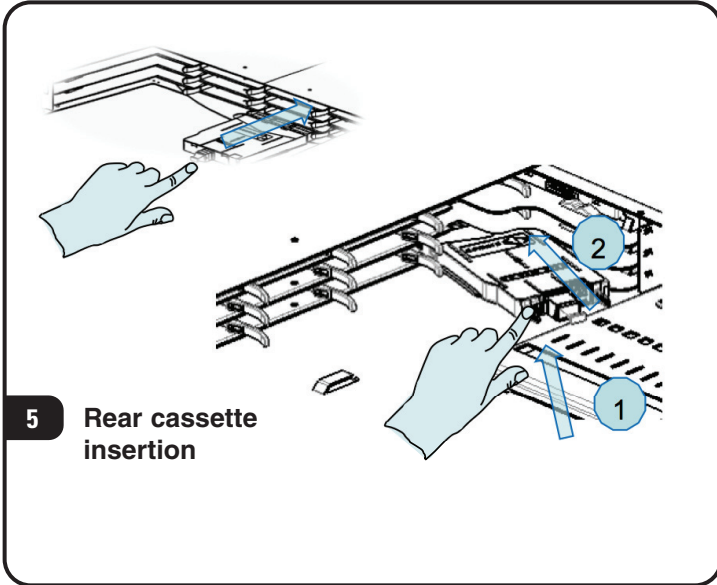


LS8-4U-01-E and LS12-4U-01-E Instructions

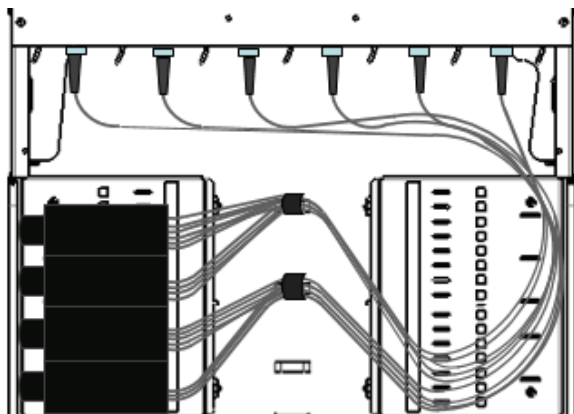


LS8-4U-01-E and LS12-4U-01-E Instructions

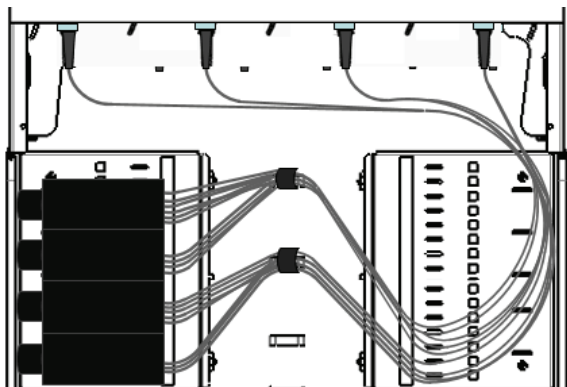


LS8-4U-01-E and LS12-4U-01-E Instructions

Base 8

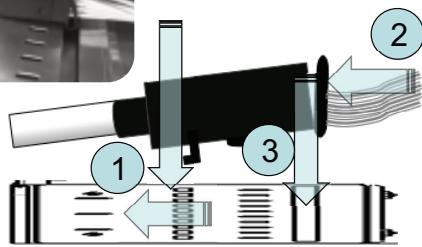


Base 12



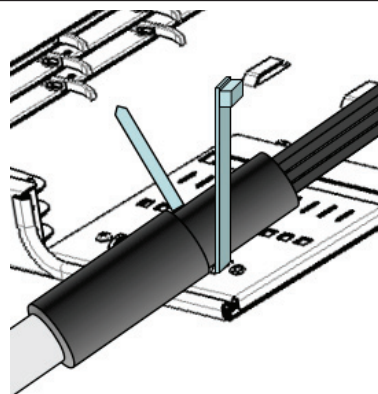
Note: Rear MTP cables should be loaded from bottom up for easier access.

11



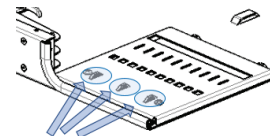
12a

1. Insert back hook clip into clip base plate in enclosure and slide back to secure. 2. Compress lock clip 3. Rotate clip into locked position and release clip. To release reverse steps

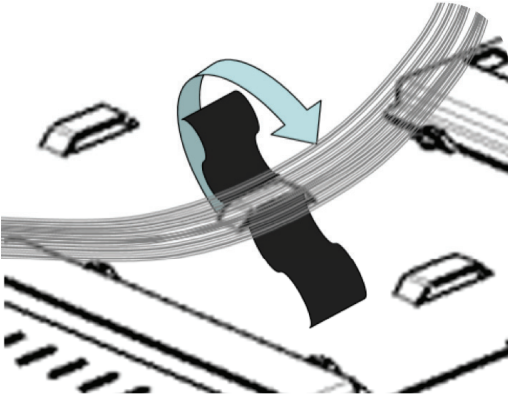


12b

If round breakout tubes are used, utilize zip tie anchors to secure them

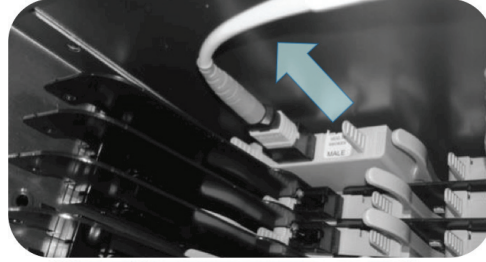


LS8-4U-01-E and LS12-4U-01-E Instructions



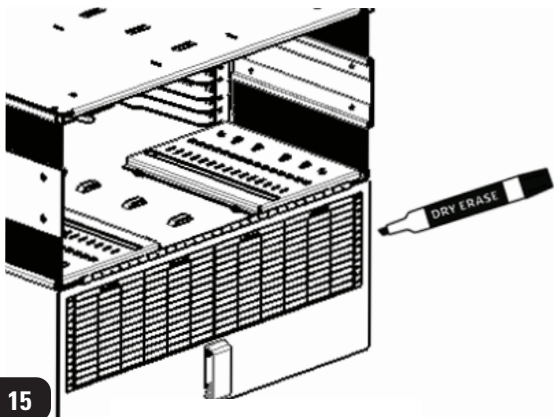
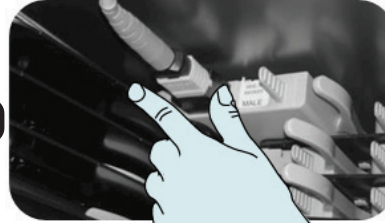
13

Secure cable assembly legs with Velcro to help maintain cable path. Velcro strap can be cut to appropriate length.



14

Cassettes can be partially slid back to aid in access when removing MTP cables.



15

Note: Only use dry erase markers on administrative label.



To assist safe installations, comply with the following:

- A. Use caution when installing or modifying telecommunications circuits.
- B. Never touch uninsulated wire terminals unless the circuit has been disconnected.
- C. Never install this device in a wet location.
- D. Never install wiring during a lightning storm.

Because we continuously improve our products, Siemon reserves the right to change specifications and availability without prior notice.

**Worldwide Headquarters
North America**
Watertown, CT USA
Phone (1) 860 945 4200

**Regional Headquarters
Europe Africa**
Chertsey, Surrey, England
Phone (44) 0 1932 571771

**Regional Headquarters
China**
Shanghai, P.R. China
Phone (86) 215385 0303

**Regional Headquarters
Latin America**
Bogota, Colombia
Phone (571) 657 1950/51/52

**Regional Headquarters
India Middle East**
Dubai, United Arab Emirates
Phone (971) 4 3689743

**Regional Headquarters
Asia Pacific**
Sydney, Australia
Phone (61) 2 8977 7500

**Siemon Interconnect Solutions
Watertown, CT USA**
Phone (1) 860 945 4213 US
www.siemon.com/SIS

100.25199.00 Rev. B 10/18