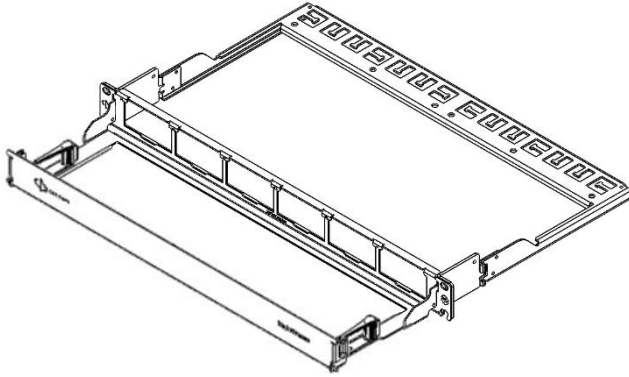



LightVerse Infinity Panel Instructions

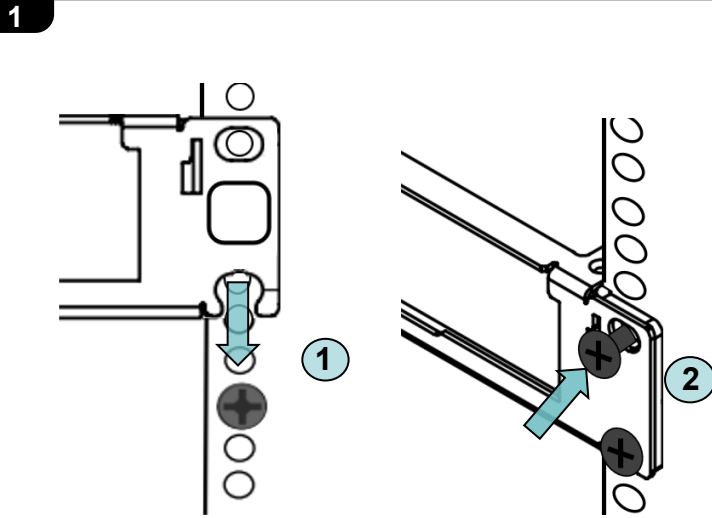


- A. 
- B. 
- C. 

Hardware
A. Fiber Panel
B. 12-24 Screw (4)
C. Ground Screw (1)



Tools
Philips head
screwdriver



2

Installation

To insert the adapter plate, engage the left side of the plate into the panel first, ensure that the SIEMON logo is facing up as shown. Next rotate the plate to the right and snap into place.

3

Removal

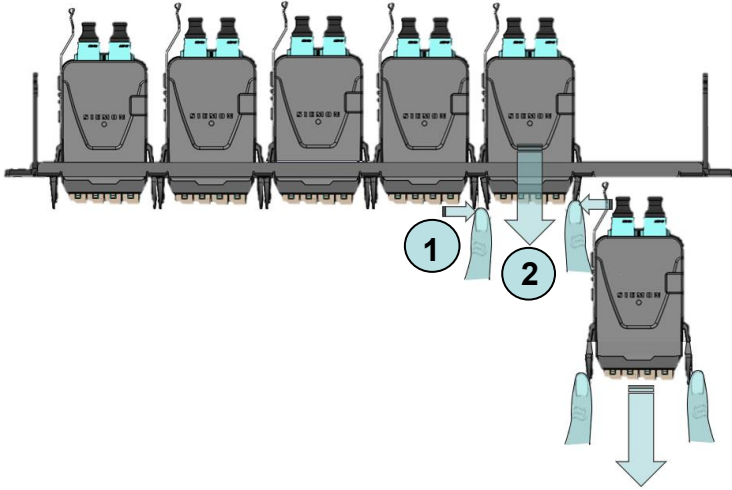
To remove the adapter plate, depress the latch on the right side of the plate and rotate toward the left. The plate can then be removed from the panel.

4

Front Installation

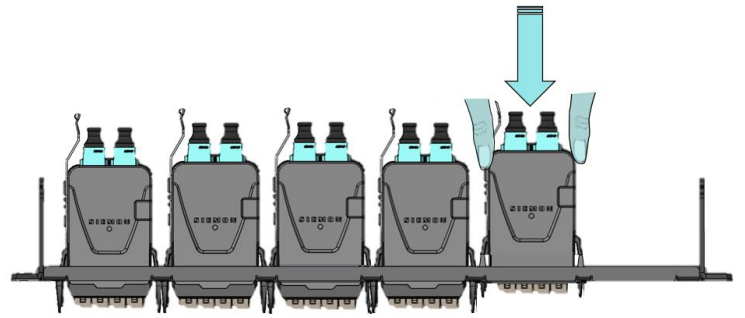
5

Front Removal



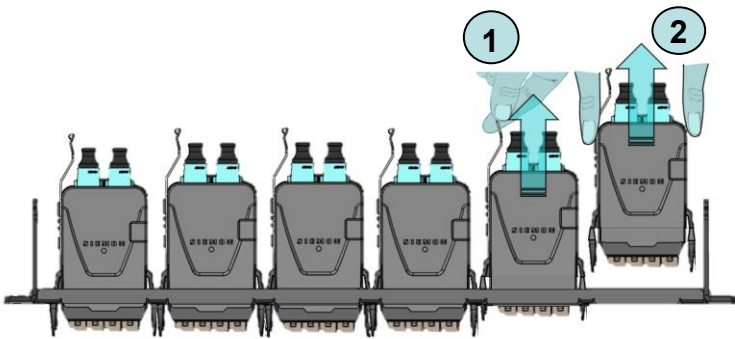
6

Rear Installation



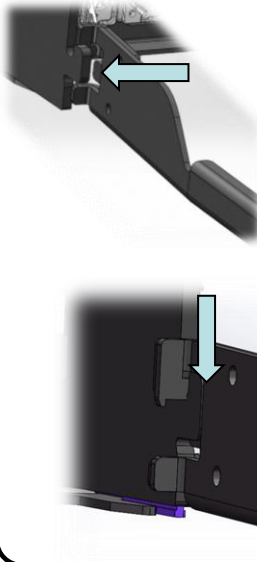
7

Rear Removal



8

Rear Manager

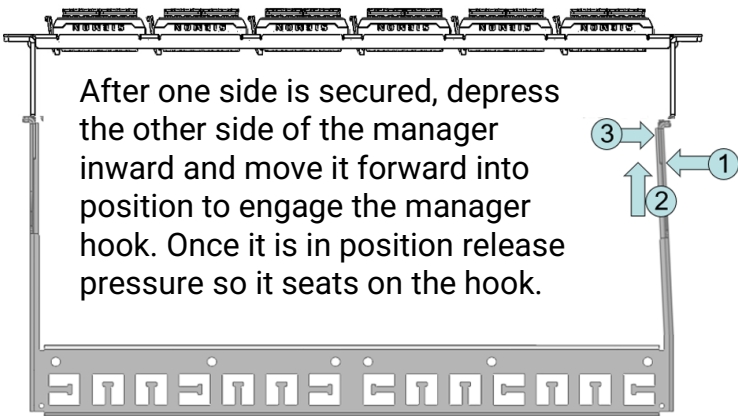


Optional rear cable manager can be attached before or after adapter/cassette/module installation.

Starting with either the left or the right side, engage the rear manager hook feature into the corresponding feature in the rear manager.

9

Rear Manager

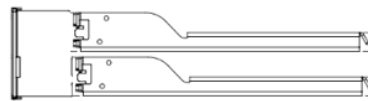


After one side is secured, depress the other side of the manager inward and move it forward into position to engage the manager hook. Once it is in position release pressure so it seats on the hook.

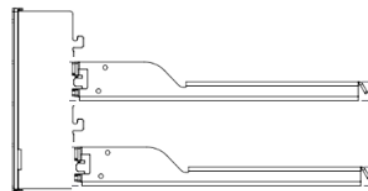
10

Rear Manager

RIGHT VIEW 2u



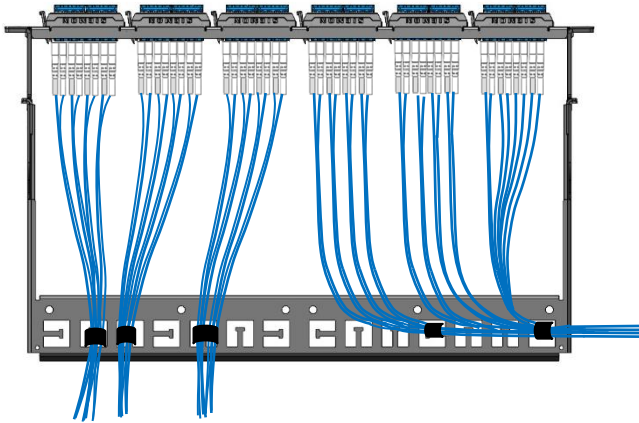
RIGHT VIEW 4u



The 2u and 4u panels have provisions for multiple rear cable managers and multiple locations.

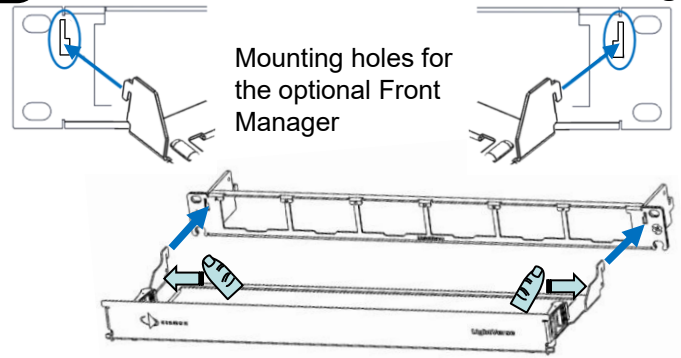
LightVerse Infinity Panel Instructions

11 Rear Manager



The rear manager provides tie down points allowing cabling to exit straight back or to the left or right.

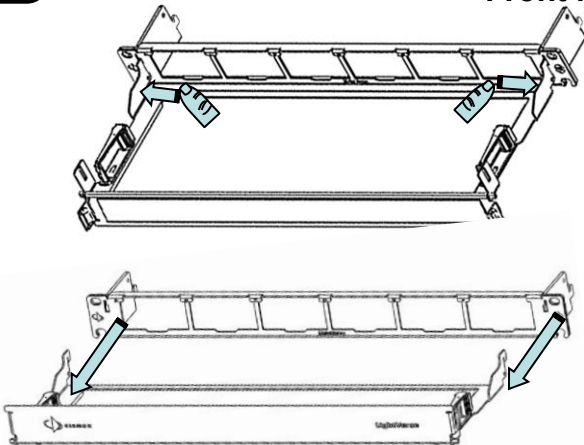
12 Front Manager



To install, apply slight outward pressure on mounting tabs as it is inserted.

Anchoring tabs can be inserted together or one side at a time

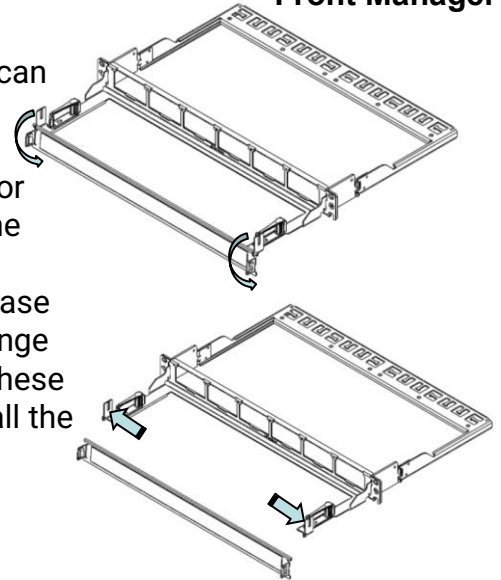
14 Front Manager



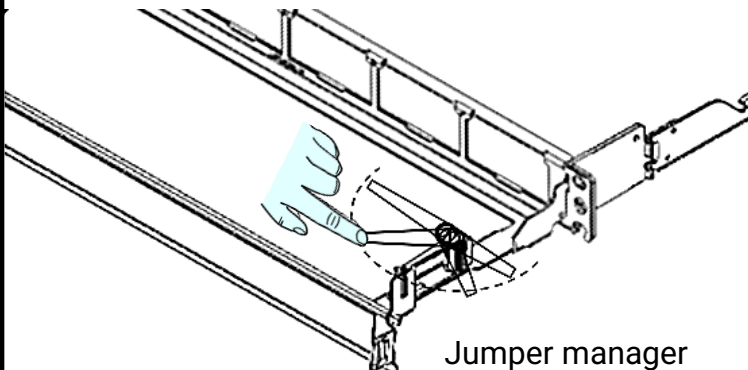
To Remove, apply slight outward pressure on mounting tabs and pull the manager away from the panel.

15 Front Manager

The front door can be removed, if necessary, by opening the door and pressing the door retention features to release the captured hinge post. Reverse these steps to reinstall the door.



16 Front Manager



Jumper manager guide covers can be rotated to the left or right.

Comply with the following for safe installations:

- Use caution when installing or modifying telecommunications circuits.
- Never touch uninsulated wire terminals unless the circuit has been disconnected.
- Never install this device in a wet location.
- Never install wiring during a lightning storm.



Global Headquarters
Watertown, Connecticut USA
Tel: (1) 866-548-5814



www.siemon.com

For a complete listing of our global offices visit our web site