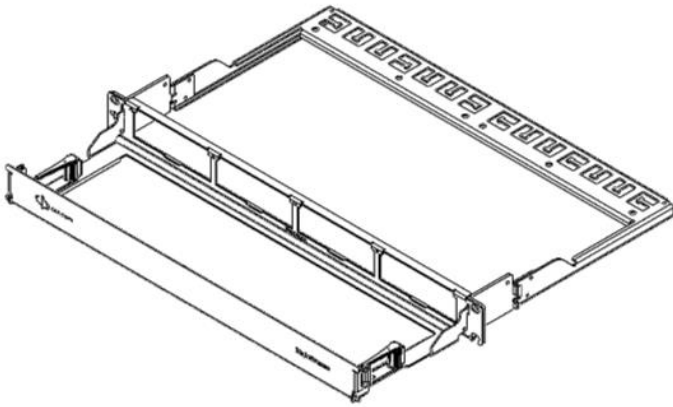
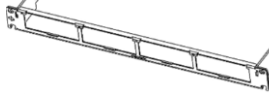




LightVerse Panel Instructions



- A. 
- B. 
- C. 

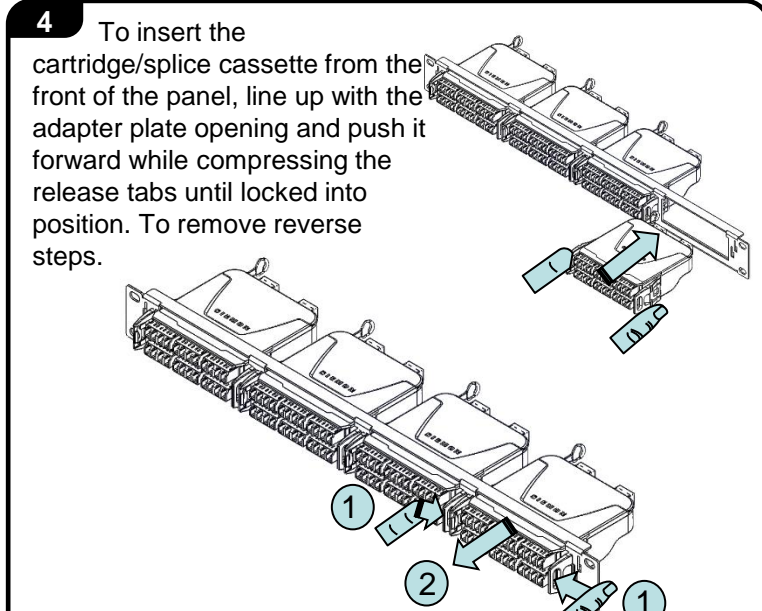
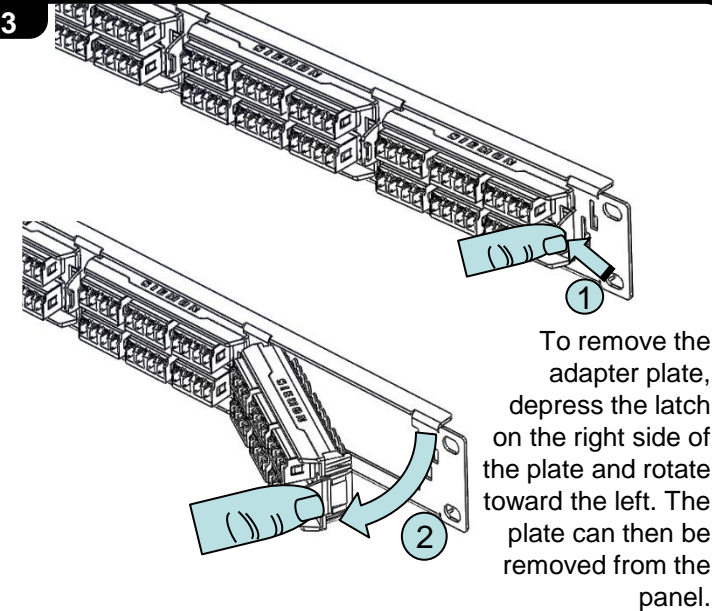
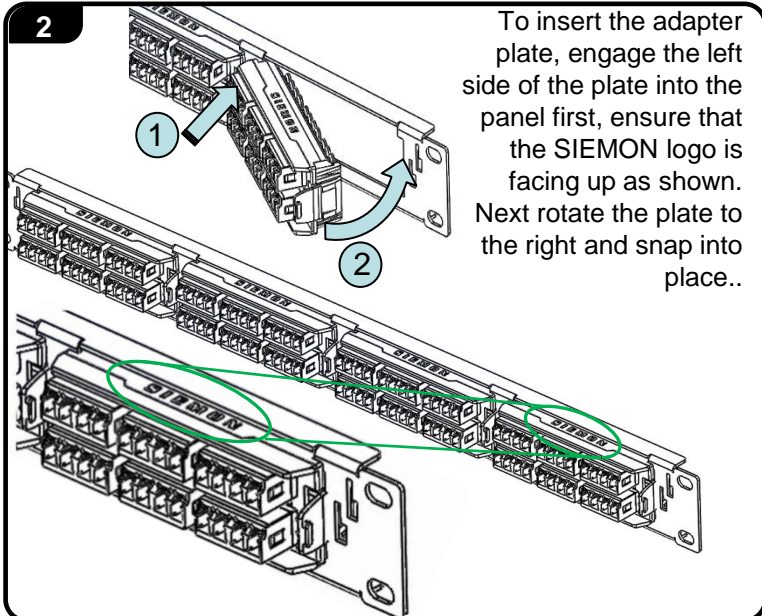
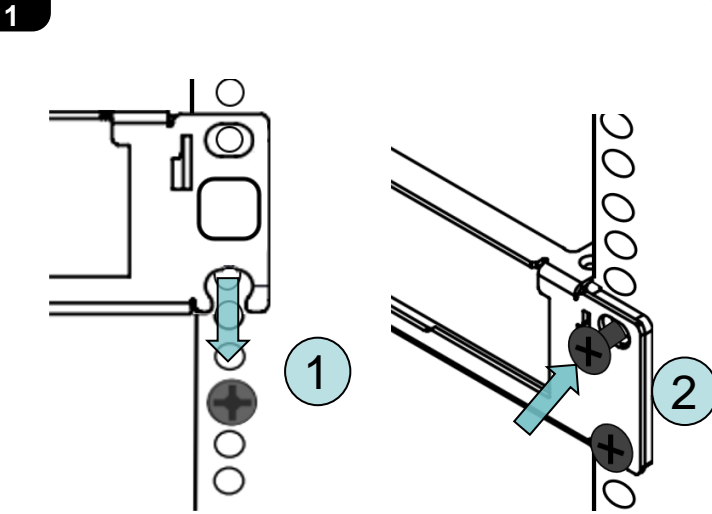
Hardware

- A. Fiber Panel
- B. 12-24 Screw (4)
- C. Ground Screw (1)



Tools

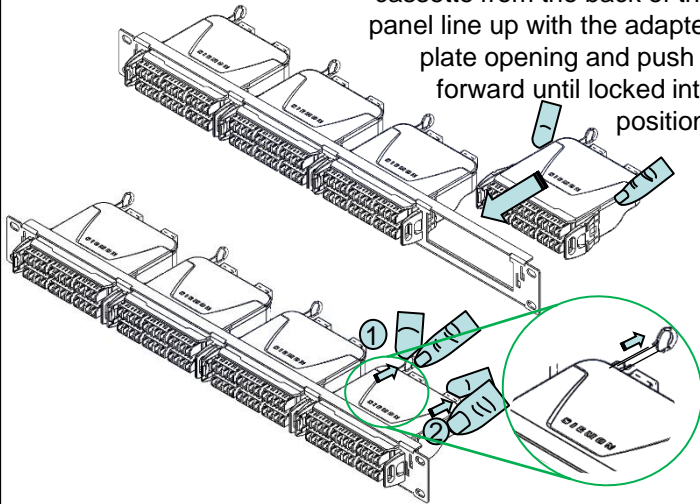
Philips head screwdriver



LightVerse Panel Instructions

5

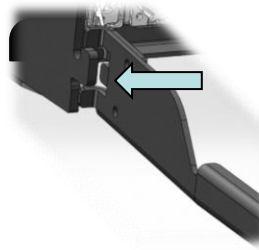
To insert the cartridge/splice cassette from the back of the panel line up with the adapter plate opening and push it forward until locked into position.



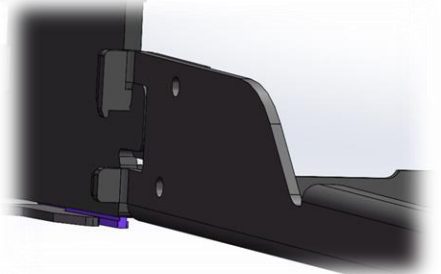
To remove the cartridge/splice cassette from the back of the panel pull the release tether straight back.

6 **Rear Manager**

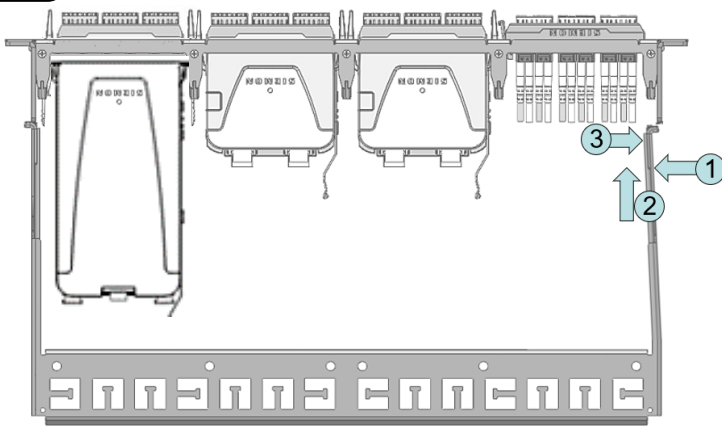
Optional rear cable manager can be attached before or after adapter/cassette/module installation.



Starting with either the left or the right side, engage the rear manager hook feature into the corresponding feature in the rear manager.



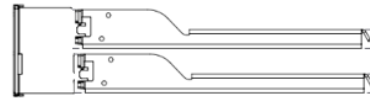
7



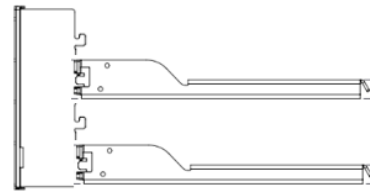
After engaging the left or right side, slightly depress the other side of the manager while angling the hook feature forward. Once in place, release tension on the manager to fully engage the hook.

8

RIGHT VIEW 2u

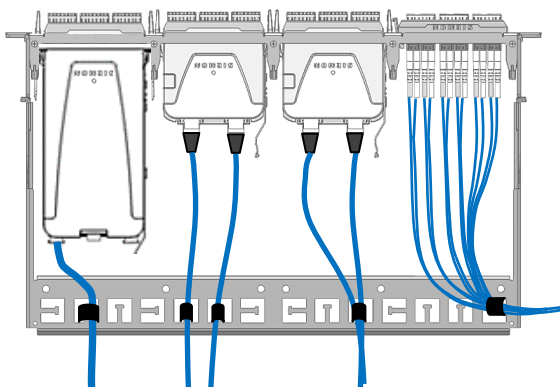


RIGHT VIEW 4u



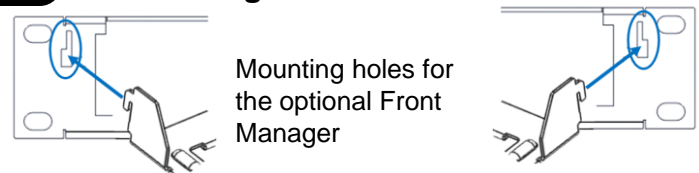
The 2u and 4u panels have provisions for multiple rear cable managers and multiple locations.

9

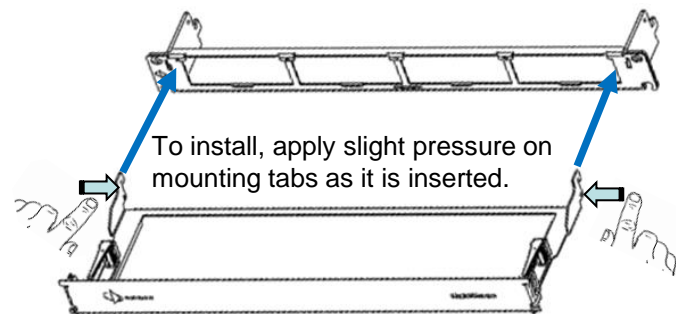


The rear manager provides tie down points allowing cabling to exit straight back or to the left or right.

10 **Front Manager**



Mounting holes for the optional Front Manager

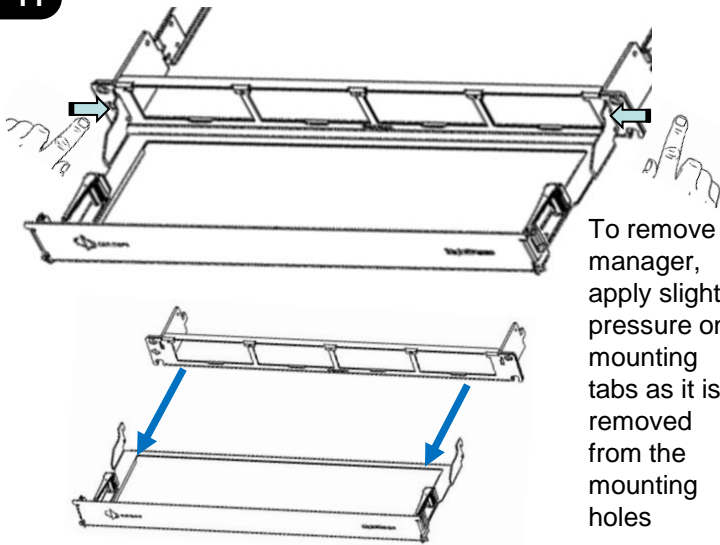


To install, apply slight pressure on mounting tabs as it is inserted.

Anchoring tabs can be inserted together or one side at a time

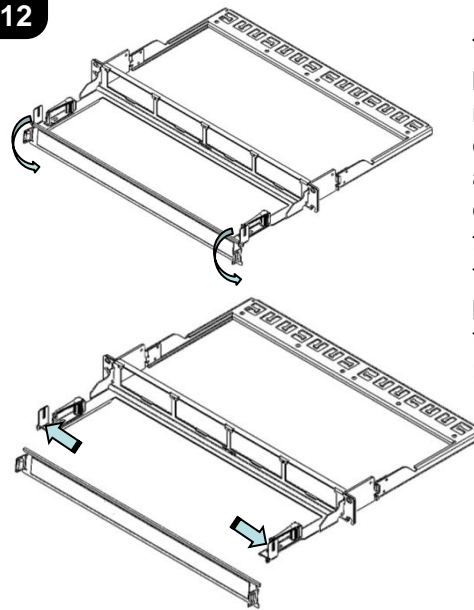
LightVerse Panel Instructions

11



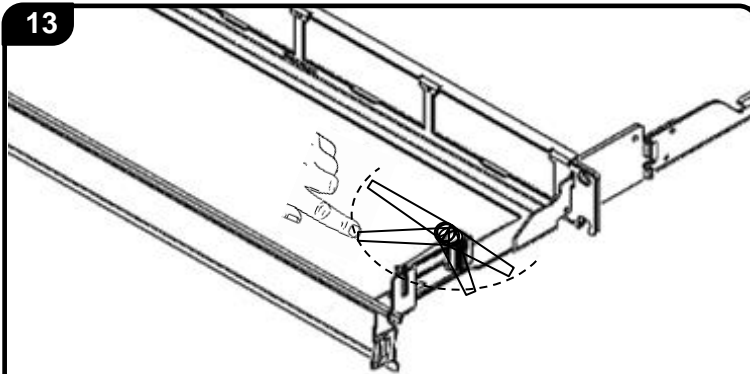
To remove manager, apply slight pressure on mounting tabs as it is removed from the mounting holes

12



The front door can be removed, if necessary, by opening the door and pressing the door retention features to release the captured hinge post. Reverse these steps to reinstall the door.

13



Jumper manager guide covers can be rotated to the left or right.

Comply with the following for safe installations:

- A. Use caution when installing or modifying telecommunications circuits.
- B. Never touch uninsulated wire terminals unless the circuit has been disconnected.
- C. Never install this device in a wet location.
- D. Never install wiring during a lightning storm.



Global Headquarters
Watertown, Connecticut USA
Tel: (1) 866-548-5814



www.siemon.com

For a complete listing of our global offices visit our web site