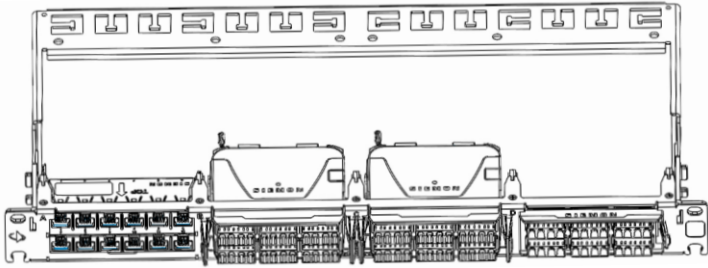
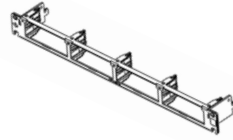


LightVerse Flat Combo Panel



A.



B.



C.



Hardware

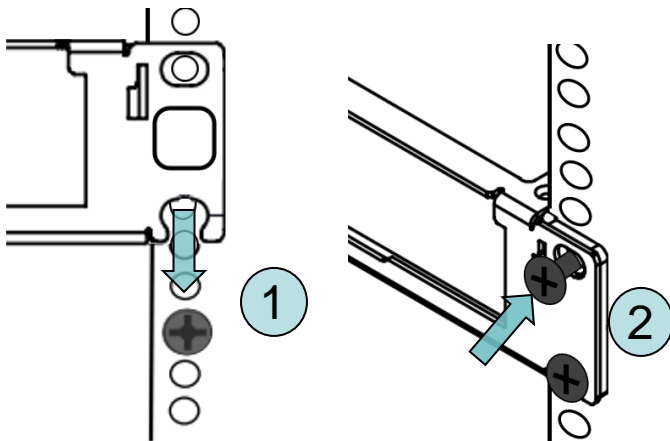
- A. Flat Combo Panel
- B. 12-24 Screw (4)
- C. Ground Screw (1)



Tools

Philips head screwdriver

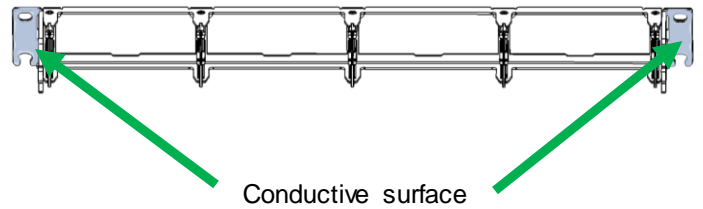
1



2

Grounding:

The back of the panel mounting flanges have a conductive surface, if mounting to a rack or cabinet rail that has a conductive coating the contact points will provide a ground path to the rail.

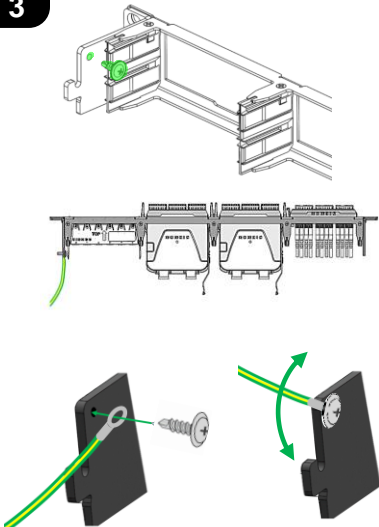


3

Grounding:

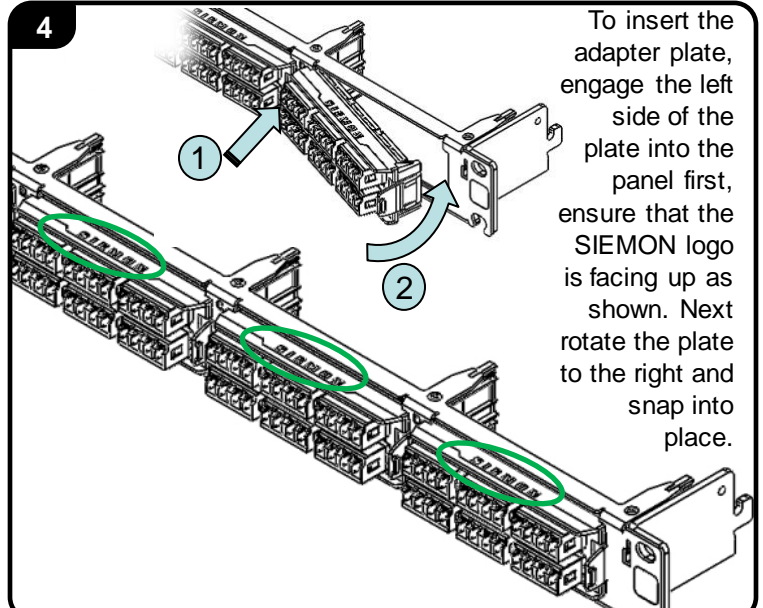
If the rack or cabinet rails do not utilize a conductive coating the ground screw and corresponding hole located on the left and right side of the panel may be used for attachment of a ground wire.

Note: ground wire is not included with panel.



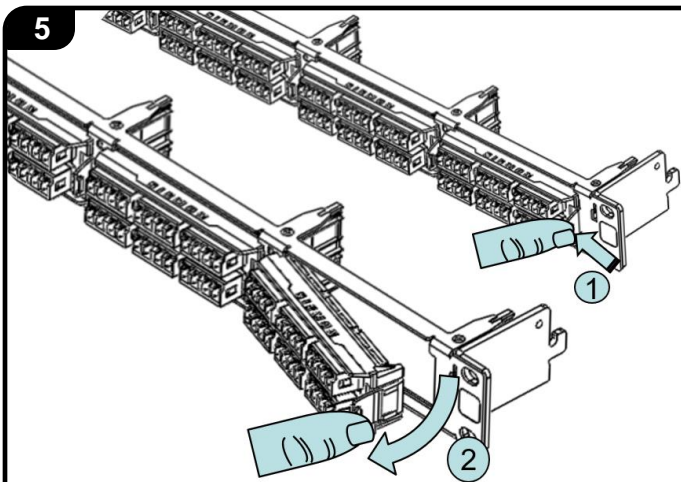
The ground wire may be adjusted up or down to better facilitate routing of ground wire.

4

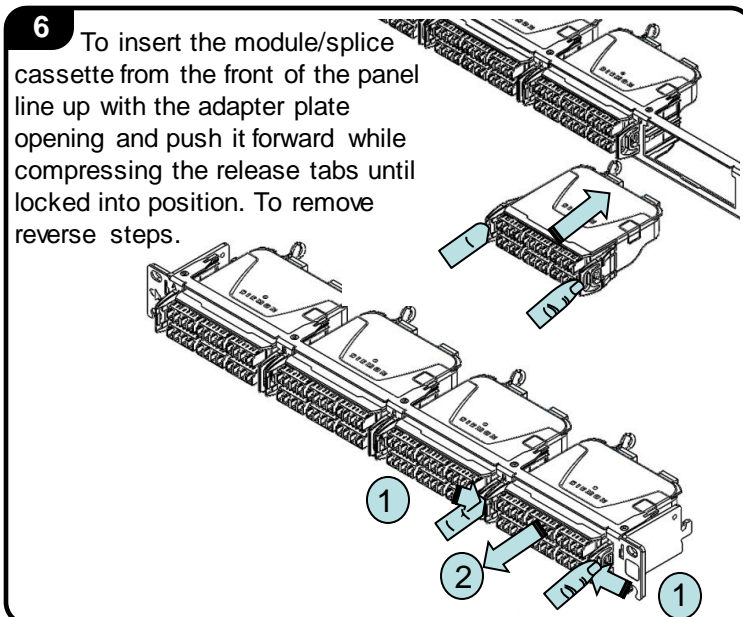


To insert the adapter plate, engage the left side of the plate into the panel first, ensure that the SIEMON logo is facing up as shown. Next rotate the plate to the right and snap into place.

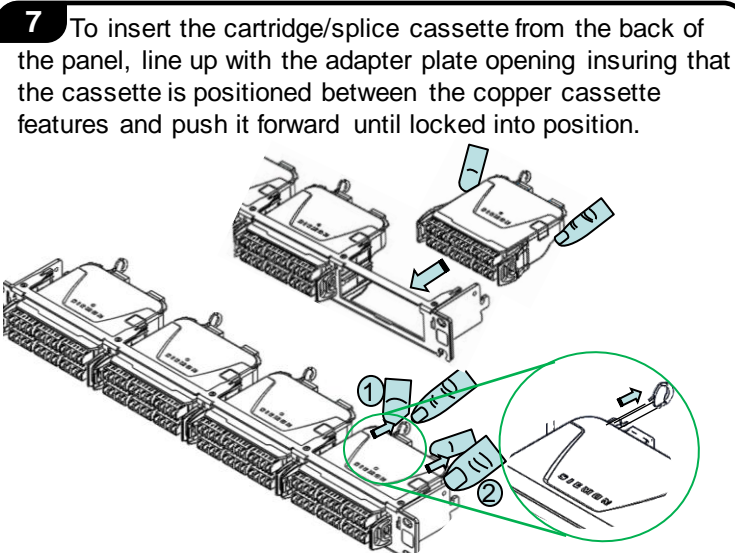
LightVerse Flat Combo Panel



To remove the adapter plate, depress the latch on the left side of the plate and rotate toward the left. The plate can then be removed from the panel.

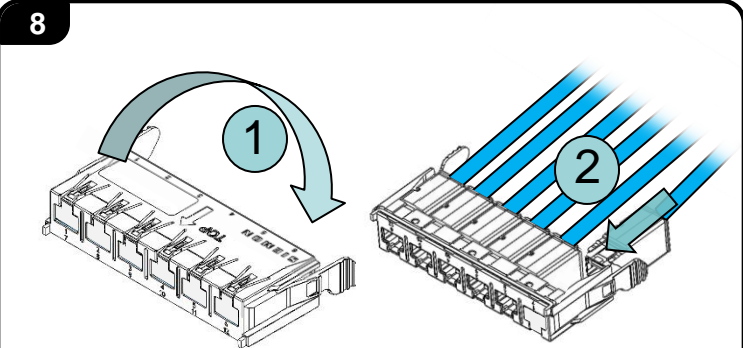


To insert the module/splice cassette from the front of the panel line up with the adapter plate opening and push it forward while compressing the release tabs until locked into position. To remove reverse steps.



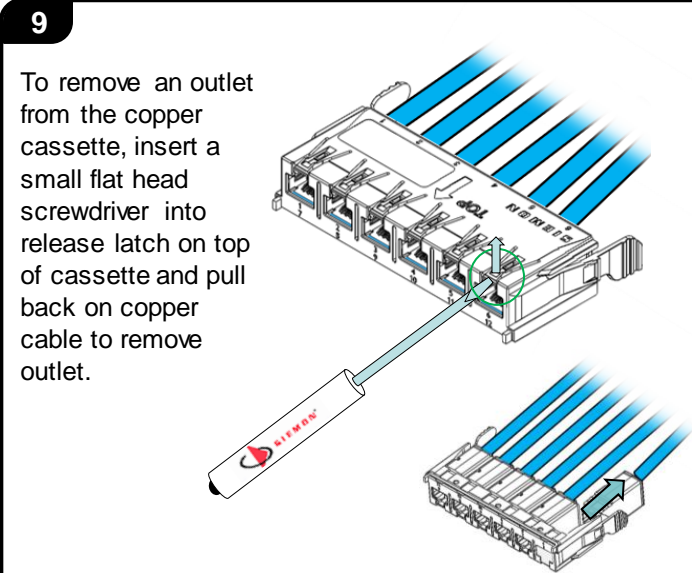
To insert the cartridge/splice cassette from the back of the panel, line up with the adapter plate opening insuring that the cassette is positioned between the copper cassette features and push it forward until locked into position.

To remove the cartridge/splice cassette from the back of the panel pull the release tether straight back.

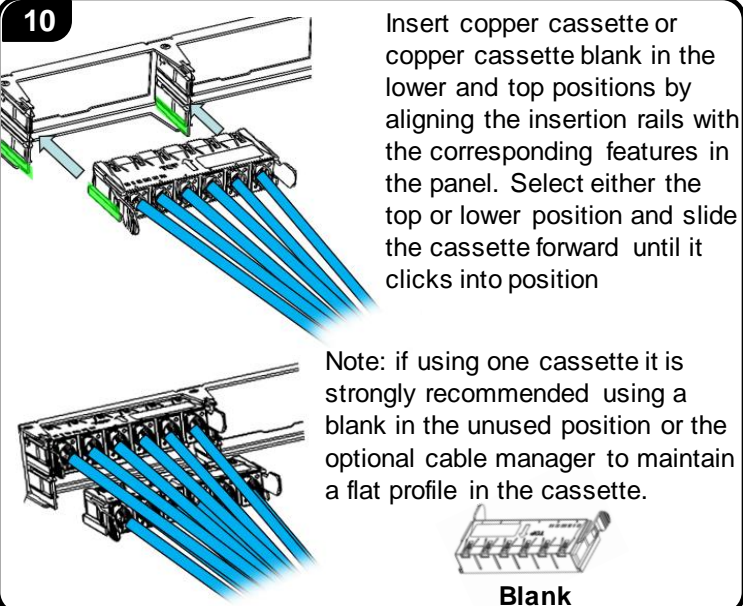


To insert the ZMAX Panel outlet from the back of the copper cassette

1. Turn cassette upside down.
2. Insert outlet until it clicks into position.

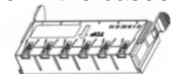


To remove an outlet from the copper cassette, insert a small flat head screwdriver into release latch on top of cassette and pull back on copper cable to remove outlet.



Insert copper cassette or copper cassette blank in the lower and top positions by aligning the insertion rails with the corresponding features in the panel. Select either the top or lower position and slide the cassette forward until it clicks into position

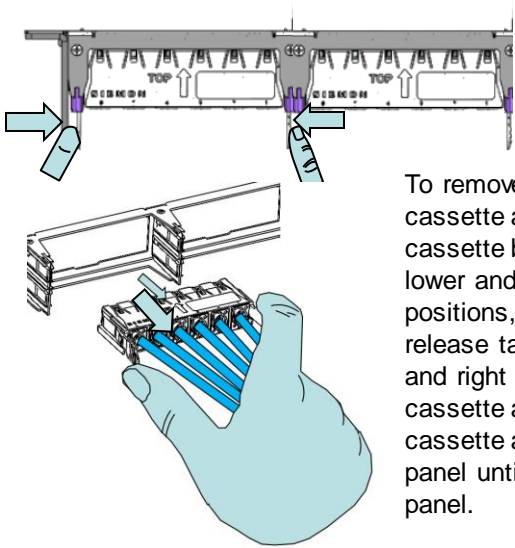
Note: if using one cassette it is strongly recommended using a blank in the unused position or the optional cable manager to maintain a flat profile in the cassette.



Blank

LightVerse Flat Combo Panel

11



To remove copper cassette and copper cassette blank in the lower and top positions, depress the release tabs on the left and right of the cassette and pull the cassette away from the panel until it clears the panel.

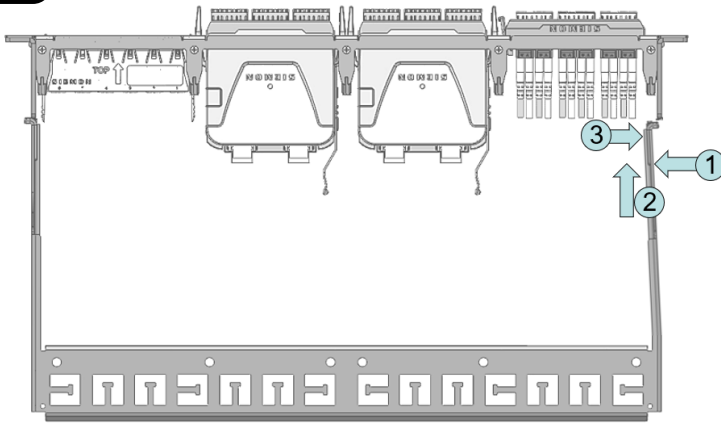
12 Rear Manager



Optional rear cable manager can be attached before or after cassette installation.

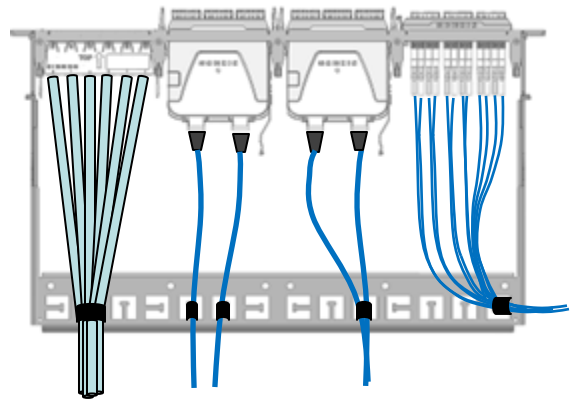
Starting with either the left or the right side, engage the rear manager hook feature into the corresponding feature in the rear manager.

13



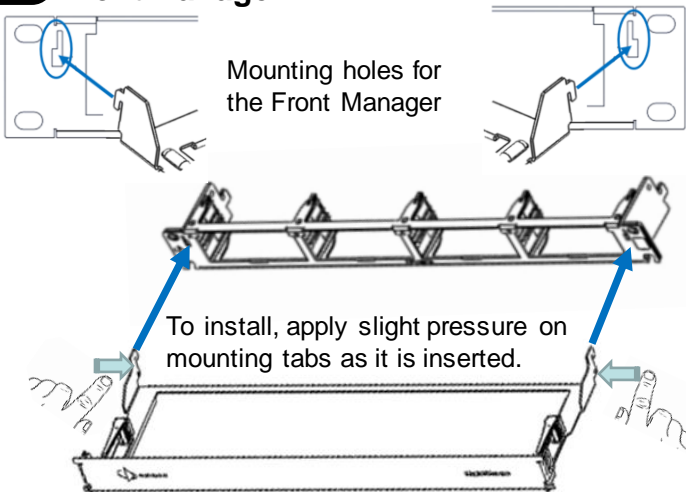
After engaging the left or right side, slightly depress the other side of the manager while angling the hook feature forward, when in place release tension on the manager engaging the hook into the manager hook feature.

14



The rear manager provides tie down points allowing cabling to exit straight back or to the left or right.

15 Front Manager

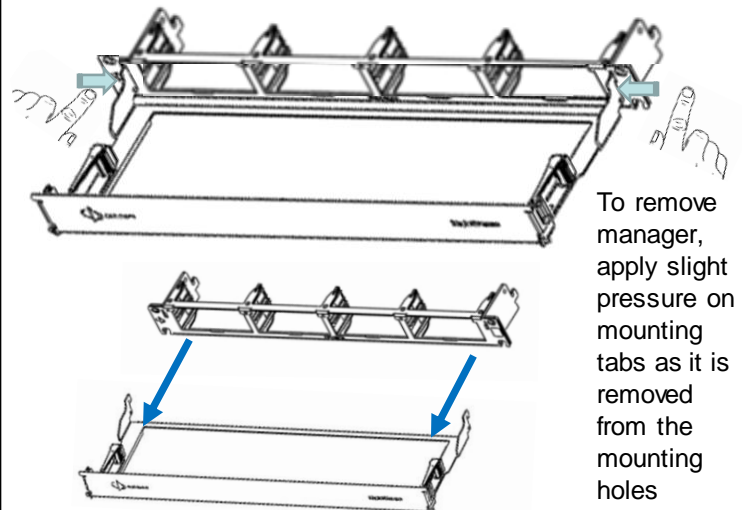


Mounting holes for the Front Manager

To install, apply slight pressure on mounting tabs as it is inserted.

Anchoring tabs can be inserted together or one side at a time

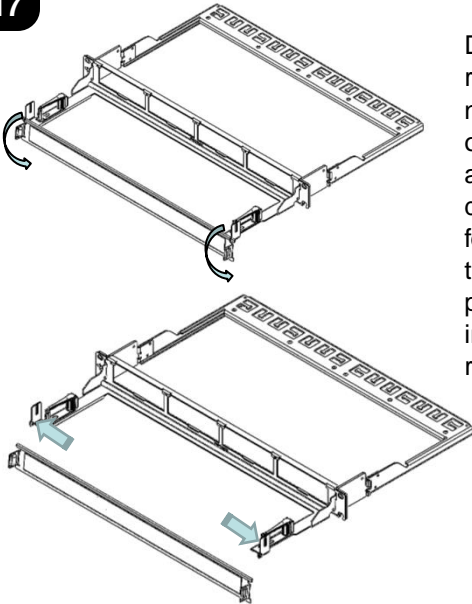
16



To remove manager, apply slight pressure on mounting tabs as it is removed from the mounting holes

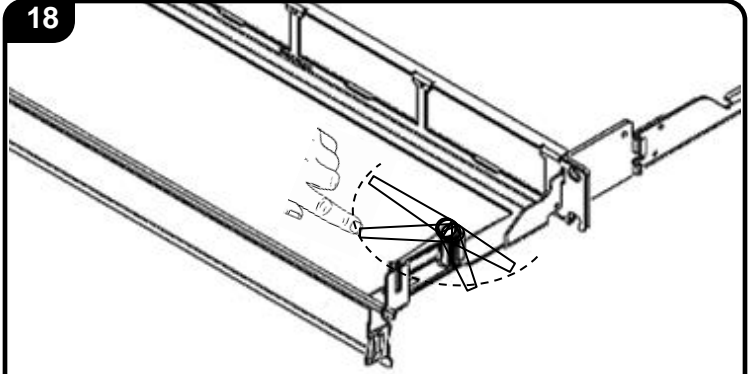
LightVerse Flat Combo Panel

17



Door can be removed, if necessary, by opening the door and pressing the door retention features to release the captured hinge post. Repeat steps in reverse to reinstall the door.

18



Jumper manager guide covers can be rotated to the left or right.

Note: Jumper manager intended for use with fiber applications. If copper jumpers are being used limit to 12 jumpers per cable manager and ensure it exits the opposite side as the fiber jumpers.

To assist safe installations, comply with the following:

- A. Use caution when installing or modifying telecommunications circuits.
- B. Never touch uninsulated wire terminals unless the circuit has been disconnected.
- C. Never install this device in a wet location.
- D. Never install wiring during a lightning storm.

Lors de l'installation, respectez les consignes de sécurité suivantes:

- A. Utiliser avec prudence lors de l'installation ou de la modification circuits de télécommunications.
- B. Ne jamais toucher les bornes de fil métallique non isolés sauf si le circuit a été débranché.
- C. Ne jamais installer cet appareil dans un endroit humide.
- D. Ne jamais installer pendant un orage.

To ensure you have the latest revision to this document, please visit: www.Siemon.com



Global Headquarters
Watertown, Connecticut USA
Tel: (1) 866-548-5814

For a complete listing of our global offices visit our web site