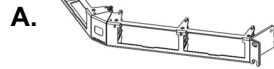
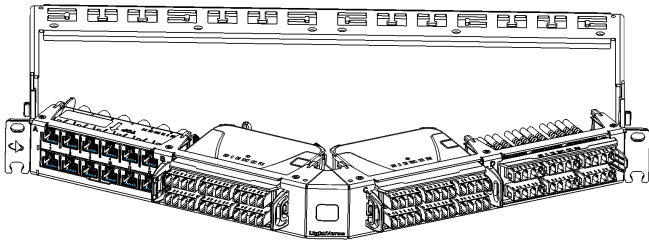


LightVerse Angled Combo Panel



Hardware

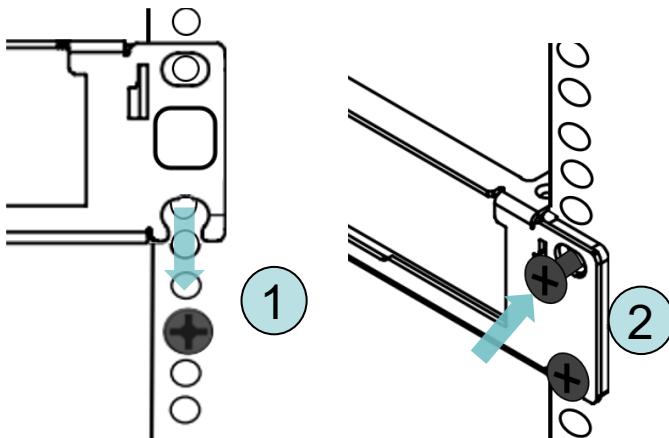
- A. Angled Combo Panel
- B. 12-24 Screw (4)
- C. Ground Screw (1)



Tools

Philips head screwdriver

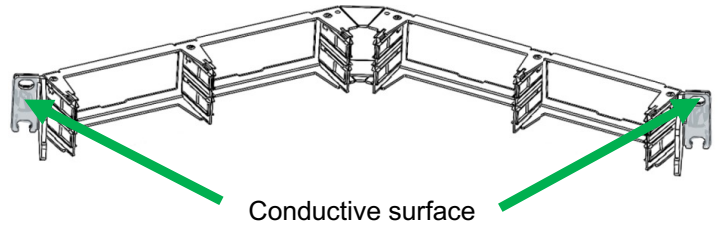
1



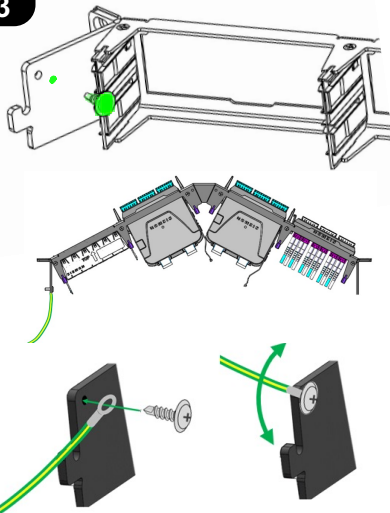
2

Grounding:

The back of the panel mounting flanges have a conductive surface, if mounting to a rack or cabinet rail that has a conductive coating the contact points will provide a ground path to the rail.



3

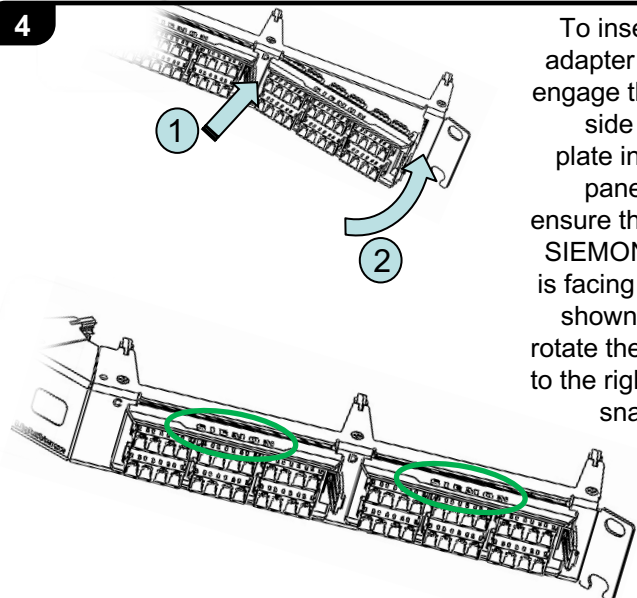


Grounding:

If the rack or cabinet rails do not utilize a conductive coating the ground screw and corresponding hole located on the left and right side of the panel may be used for attachment of a ground wire. The ground wire may be adjusted up or down to better facilitate routing of ground wire.

Note: ground wire is not included with panel.
#12AWG recommended

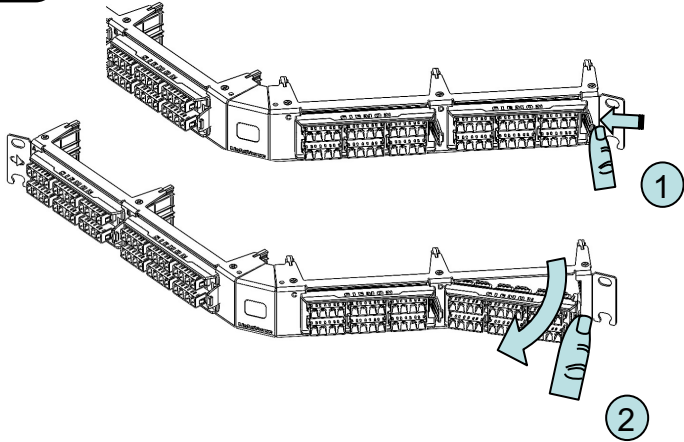
4



To insert the adapter plate, engage the left side of the plate into the panel first, ensure that the SIEMON logo is facing up as shown. Next rotate the plate to the right and snap into place.

LightVerse Angled Combo Panel

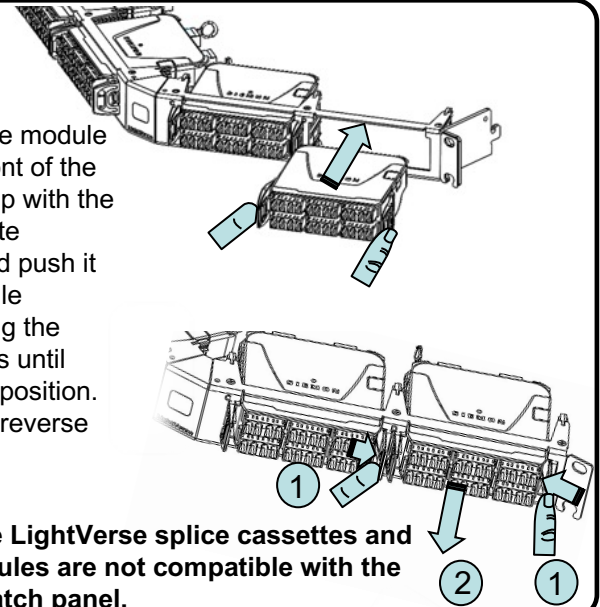
5



To insert a fiber module from the rear of the panel, line up with the opening ensuring that the module is positioned between the rear panel latches and push forward until locked into position.

6

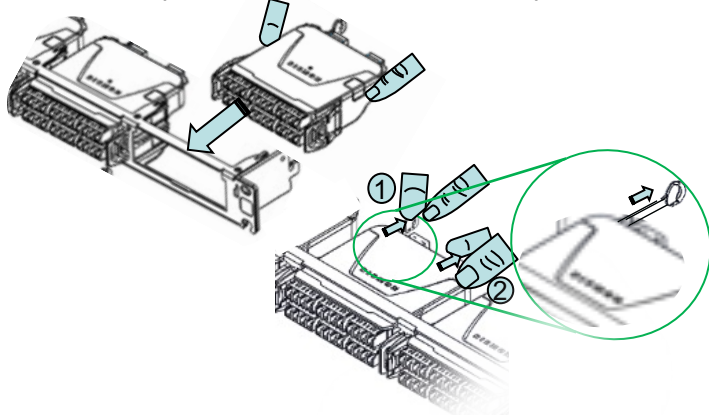
To insert the module from the front of the panel line up with the adapter line up with the adapter plate opening and push it forward while compressing the release tabs until locked into position. To remove reverse steps.



Note: The LightVerse splice cassettes and TAP modules are not compatible with the angled patch panel.

7

To insert the cartridge/splice cassette from the back of the panel, line up with the adapter plate opening insuring that the cassette is positioned between the copper cassette features and push it forward until locked into position.

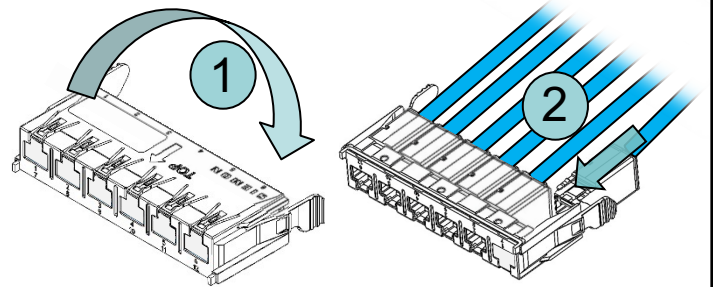


To remove the cartridge/splice cassette from the back of the panel pull the release tether straight back.

8

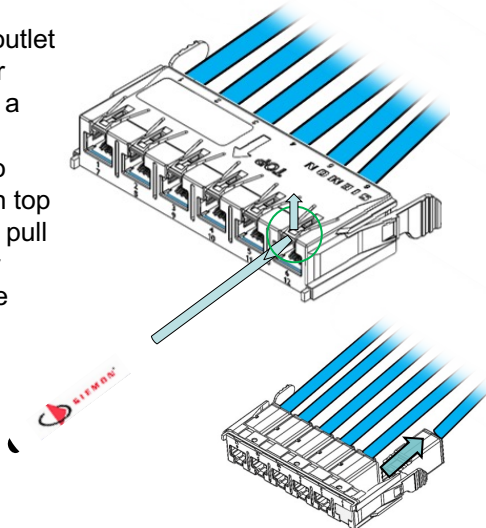
To insert the ZMAX Panel outlet from the back of the copper cassette

1. Turn cassette upside down.
2. Insert outlet until it clicks into position.



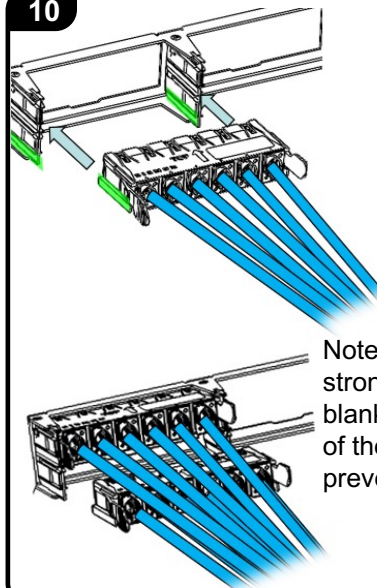
9

To remove an outlet from the copper cassette, insert a small flat head screwdriver into release latch on top of cassette and pull back on copper cable to remove outlet.

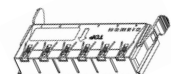


10

Insert copper or blank adapter in the lower and top positions by aligning the insertion rails with the corresponding features in the panel. Select either the top or lower position and slide the cassette forward until it clicks into position



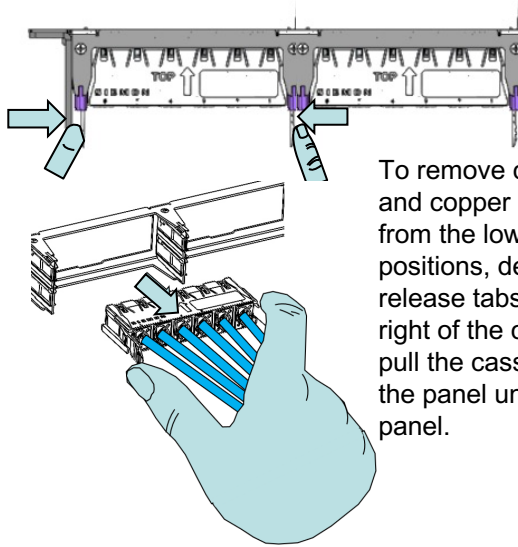
Note: If using one adapter plate, it is strongly recommended to install a blank in the unused position or use of the optional cable manager to prevent.



Blank

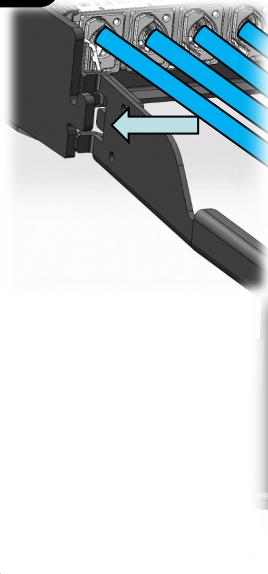
LightVerse Angled Combo Panel

11



To remove copper cassette and copper cassette blank from the lower and top positions, depress the release tabs on the left and right of the cassette and pull the cassette away from the panel until it clears the panel.

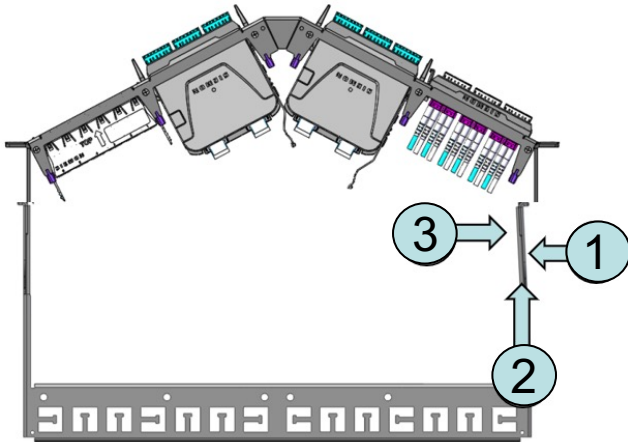
12



Optional rear cable manager can be attached before or after cassette installation.

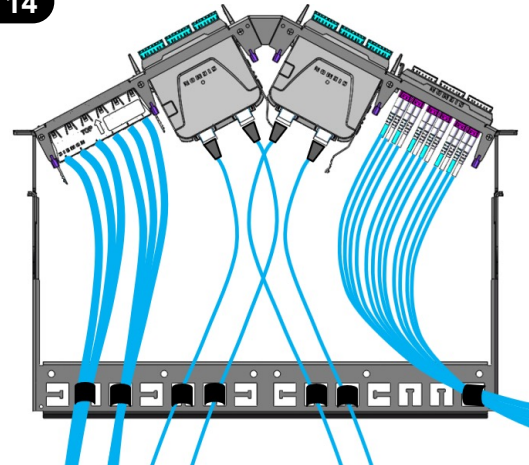
Starting with either the left or the right side, engage the rear manager hook feature into the corresponding feature in the rear manager.

13



After engaging the left or right side, slightly depress the other side of the manager while angling the hook feature forward, when in place release tension on the manager engaging the hook into the manager hook feature.

14



The rear manager provides tie down points allowing cabling to exit straight back or to the left or right.

To assist safe installations, comply with the following:

- A. Use caution when installing or modifying telecommunications circuits.
- B. Never touch uninsulated wire terminals unless the circuit has been disconnected.
- C. Never install this device in a wet location.
- D. Never install wiring during a lightning storm.

Lors de l'installation, respectez les consignes de sécurité suivantes:

- A. Utiliser avec prudence lors de l'installation ou de la modification circuits de télécommunications.
- B. Ne jamais toucher les bornes de fil métallique non isolés sauf si le circuit a été débranché.
- C. Ne jamais installer cet appareil dans un endroit humide.
- D. Ne jamais installer pendant un orage.

To ensure you have the latest revision to this document, please visit: www.Siemon.com



Global Headquarters
Watertown, Connecticut USA
Tel: (1) 866-548-5814

For a complete listing of our global offices visit our web site