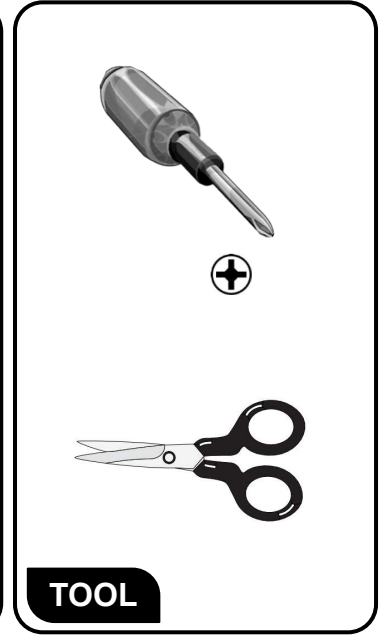
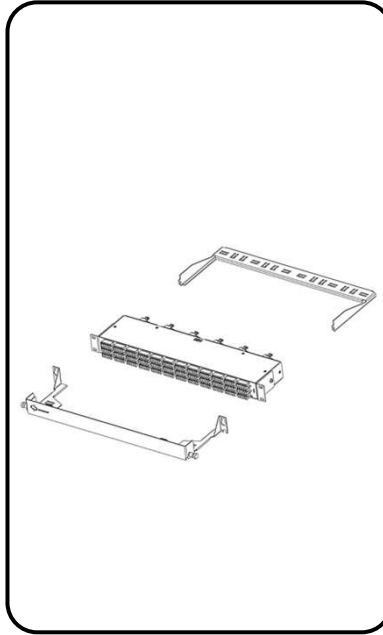
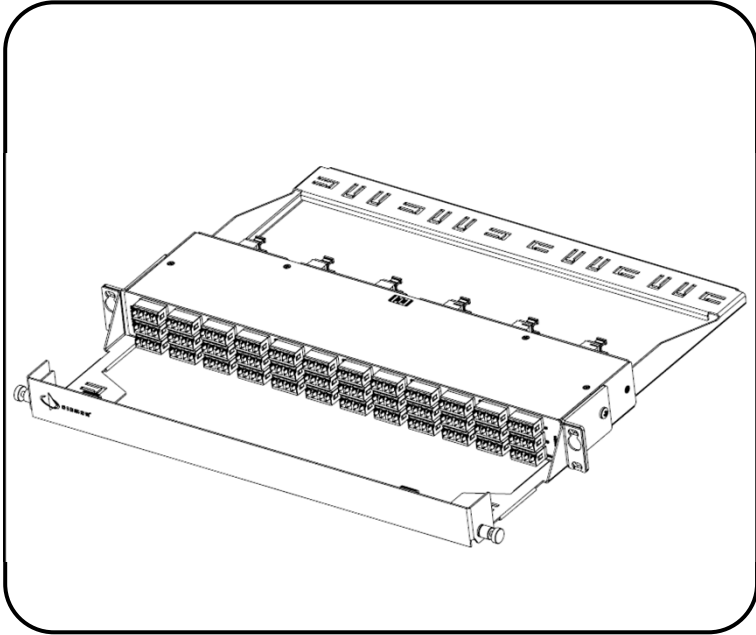
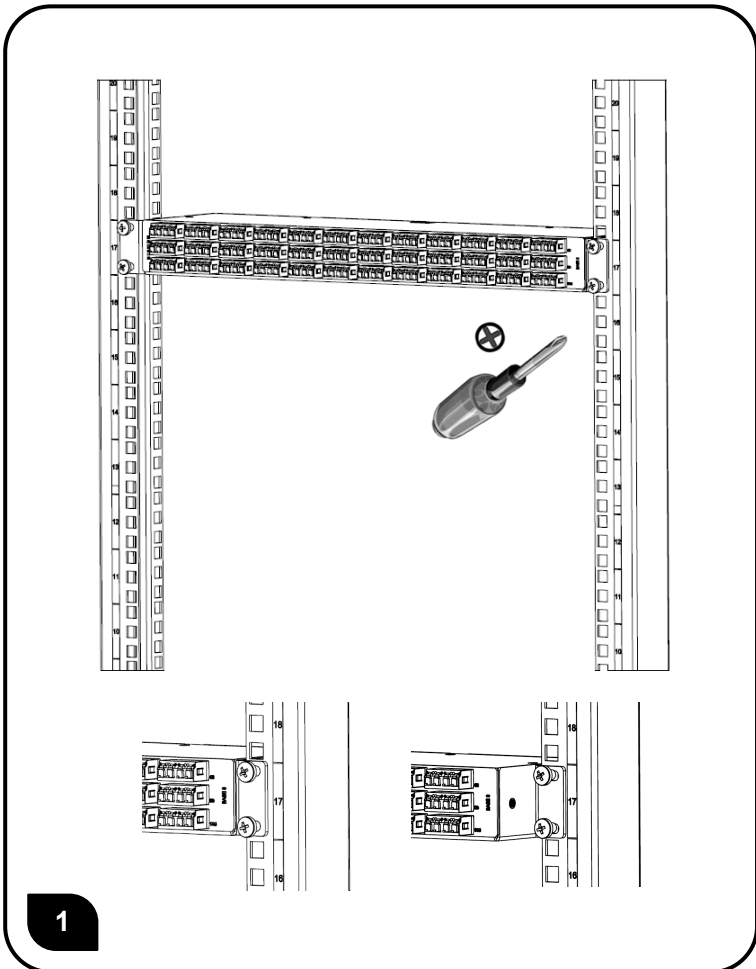


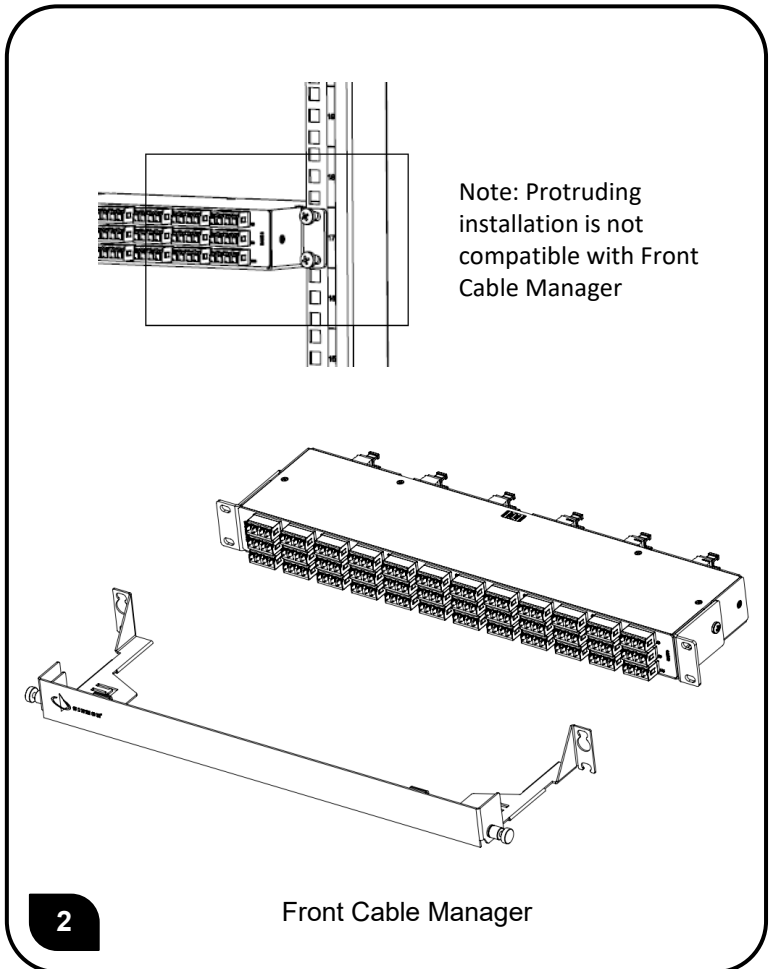
# LightStack™ UHD Plug and Play Fiber Enclosure Instructions



**TOOL**



**1**

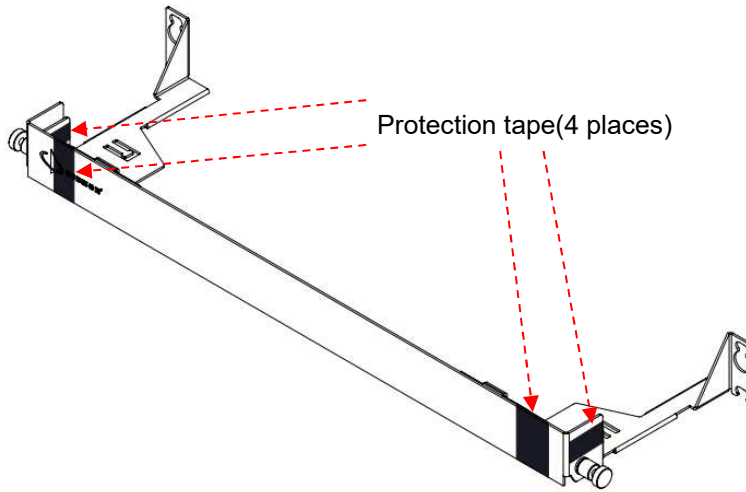


Note: Protruding installation is not compatible with Front Cable Manager

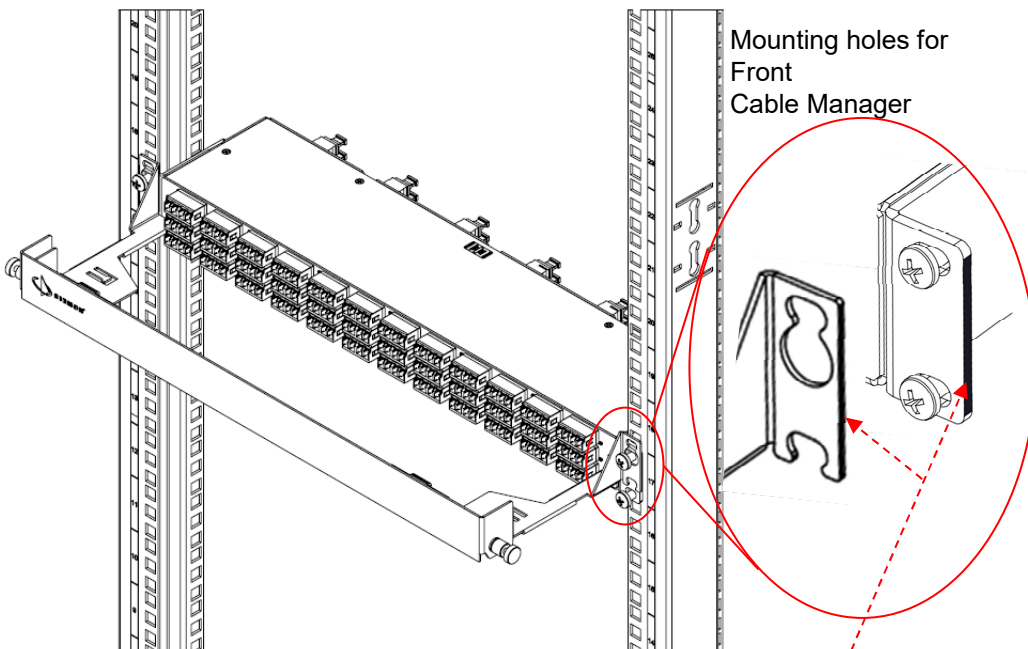
**Front Cable Manager**

**2**

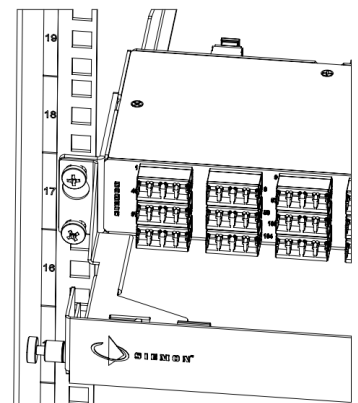
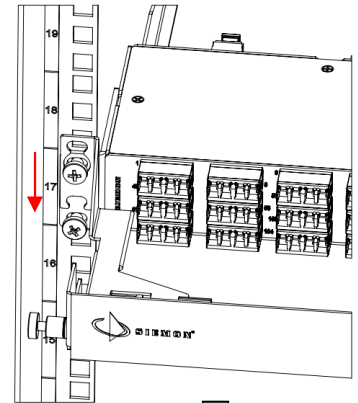
# LightStack™ UHD Plug and Play Fiber Enclosure Instructions



Do not remove the protection tape before Front Cable Manager is securely attached and the mounting screws have been tightened. (see step 3)



**Note:** The edge of Front Cable Manager should align with the edge of Enclosure.

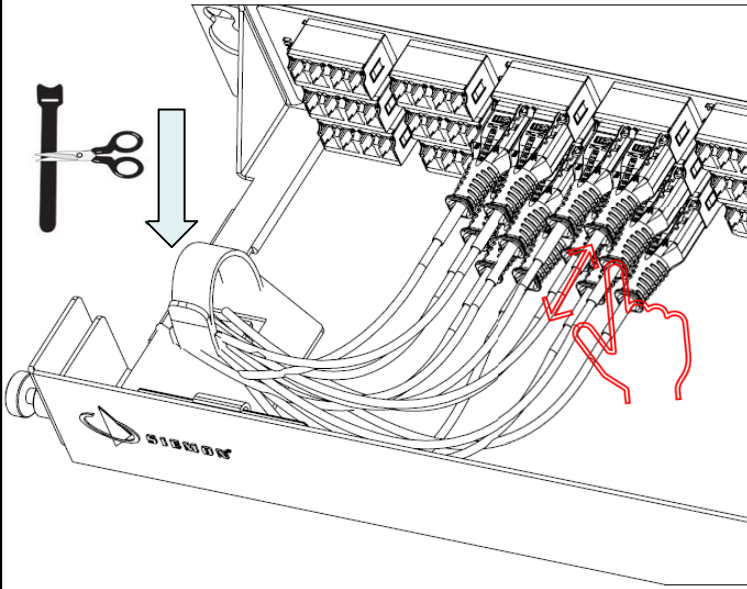


3

Retro Fit Front Cable Manager

# LightStack™ UHD Plug and Play Fiber Enclosure Instructions

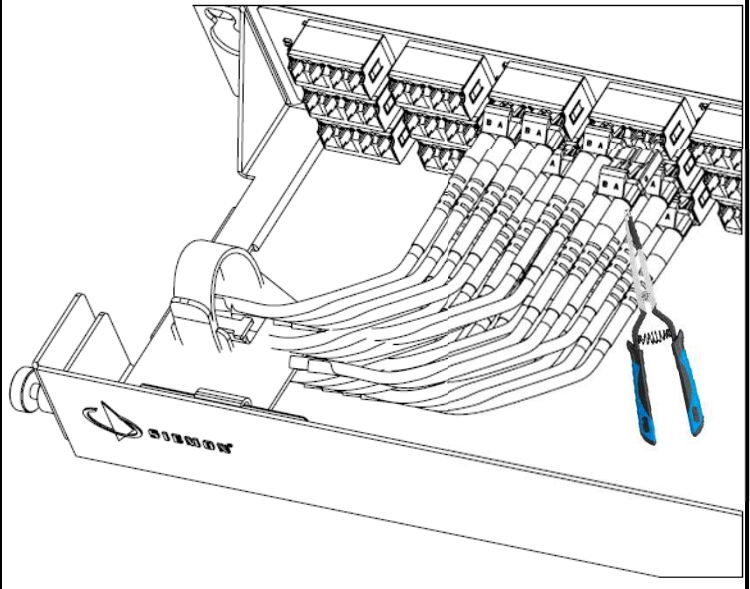
Use push-pull feature to remove jumper



4a

Use with Siemon LC BladePatch Jumpers

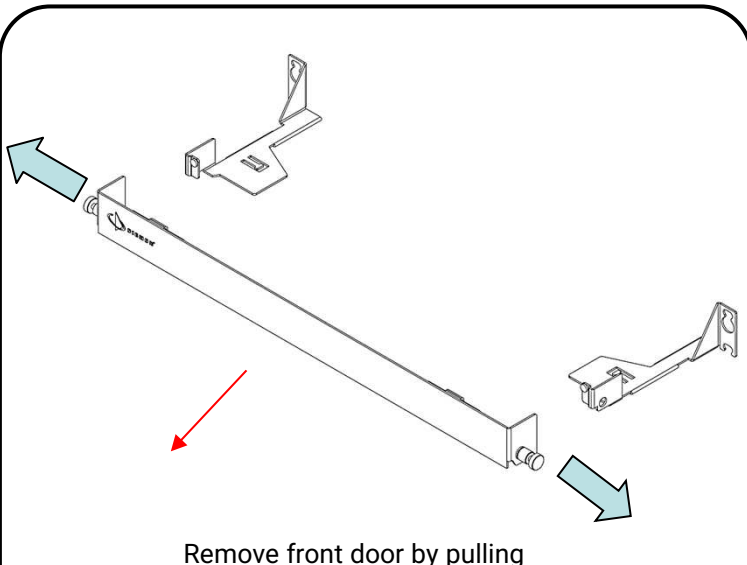
Use a 3<sup>rd</sup> party extraction tool to remove jumper



4b

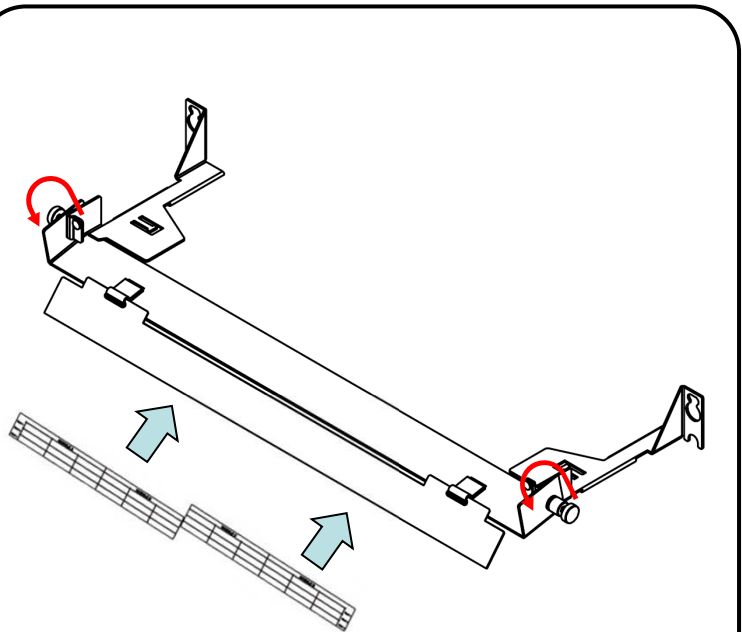
Use with Siemon FJ2/J2 LC Jumpers

Remove front door by pulling out the latches on both sides, allowing full access to LC ports in the front of the panel.



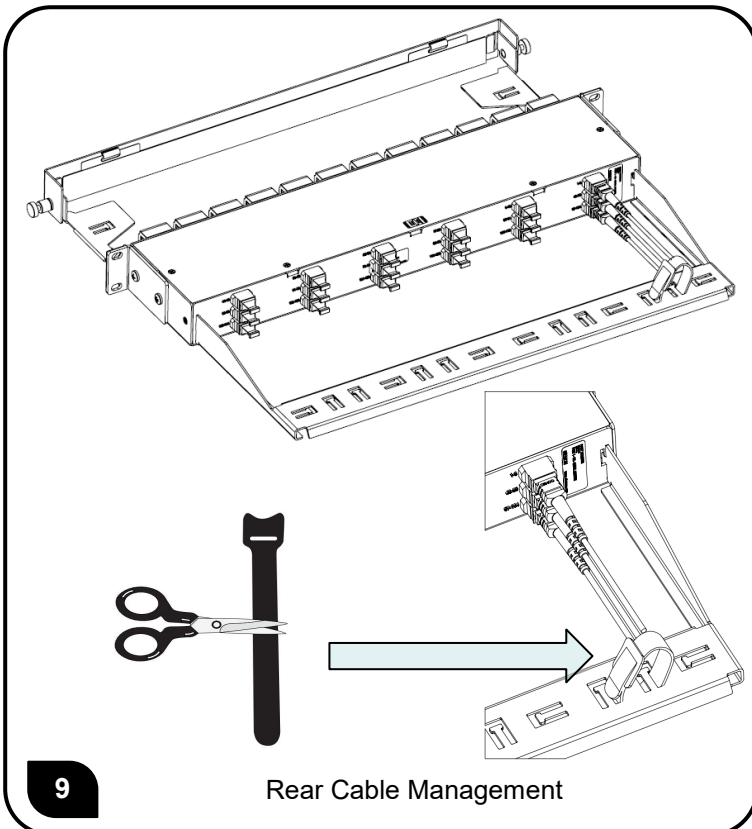
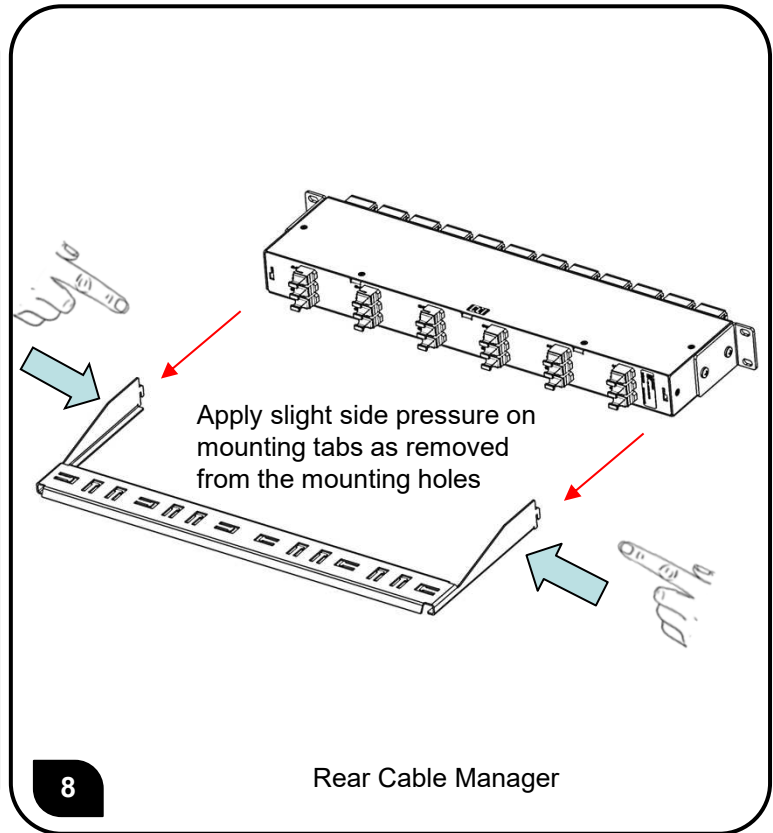
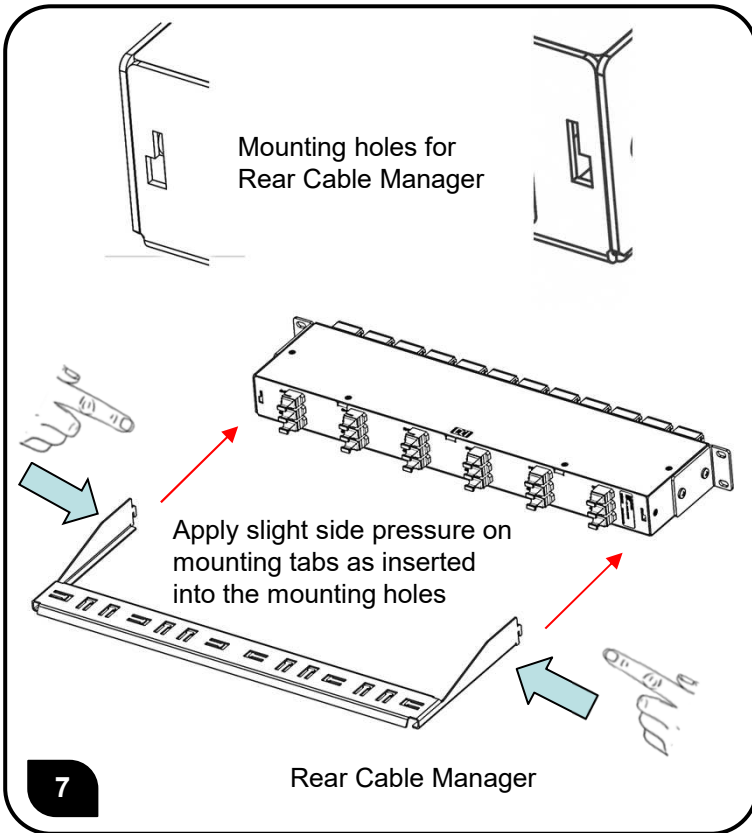
5

Labeling



6

# LightStack™ UHD Plug and Play Fiber Enclosure Instructions



**Comply with the following for safe installations:**

- A. Use caution when installing or modifying telecommunications circuits.
- B. Never touch uninsulated wire terminals unless the circuit has been disconnected.
- C. Never install this device in a wet location.
- D. Never install wiring during a lightning storm.



Global Headquarters  
Watertown, Connecticut USA  
Tel: (1) 866-548-5814



For a complete listing of our global offices visit our web site