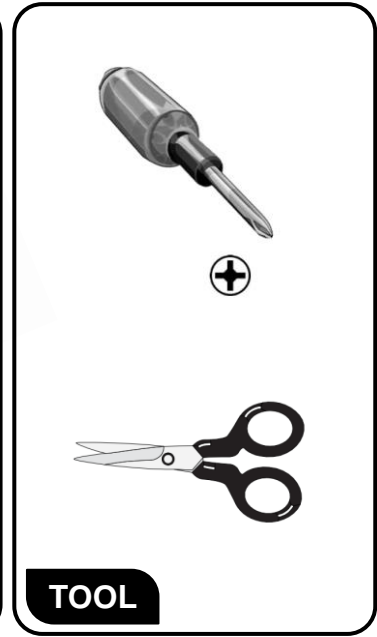
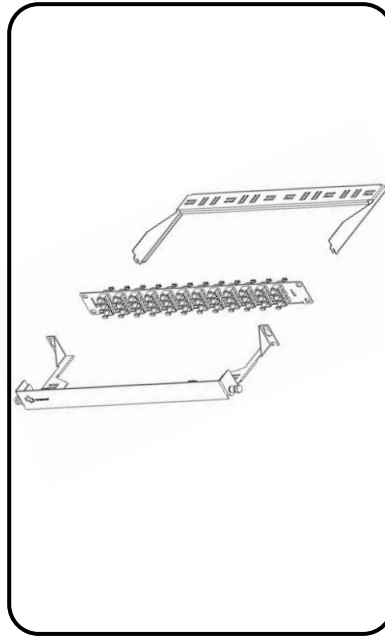
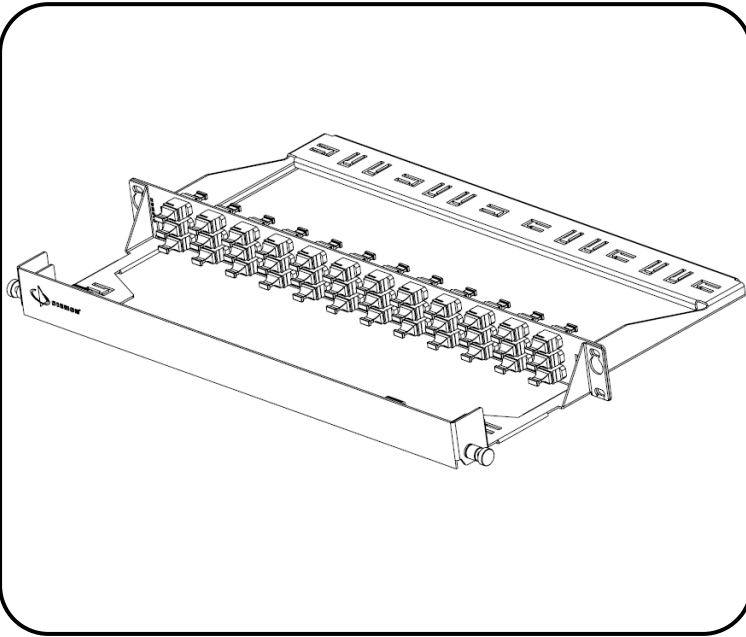
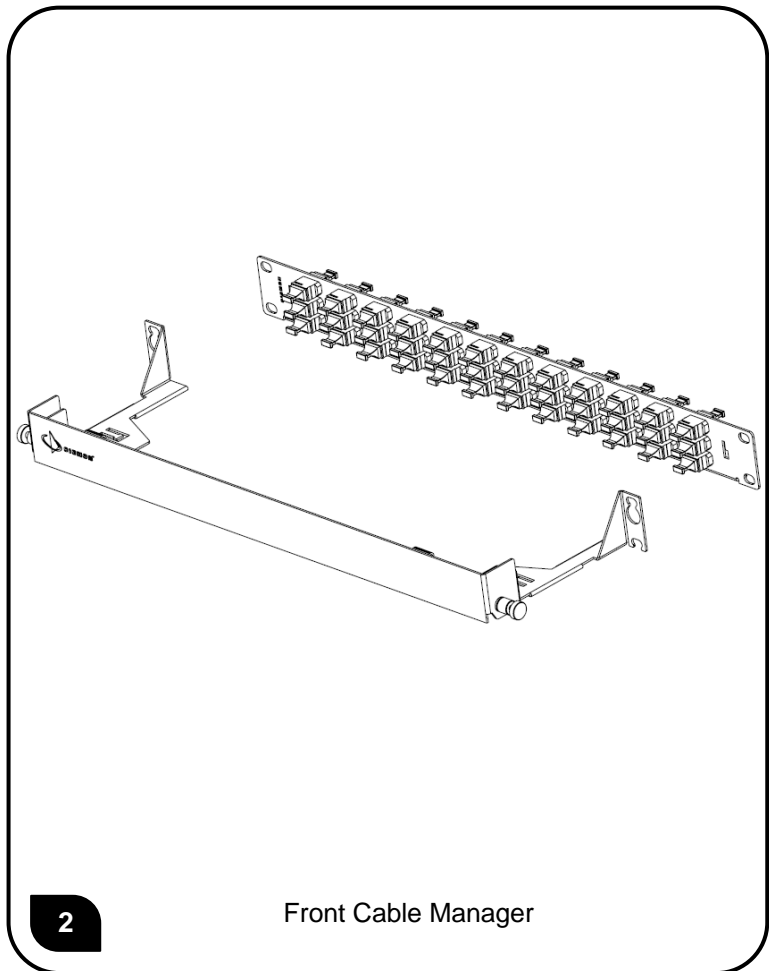
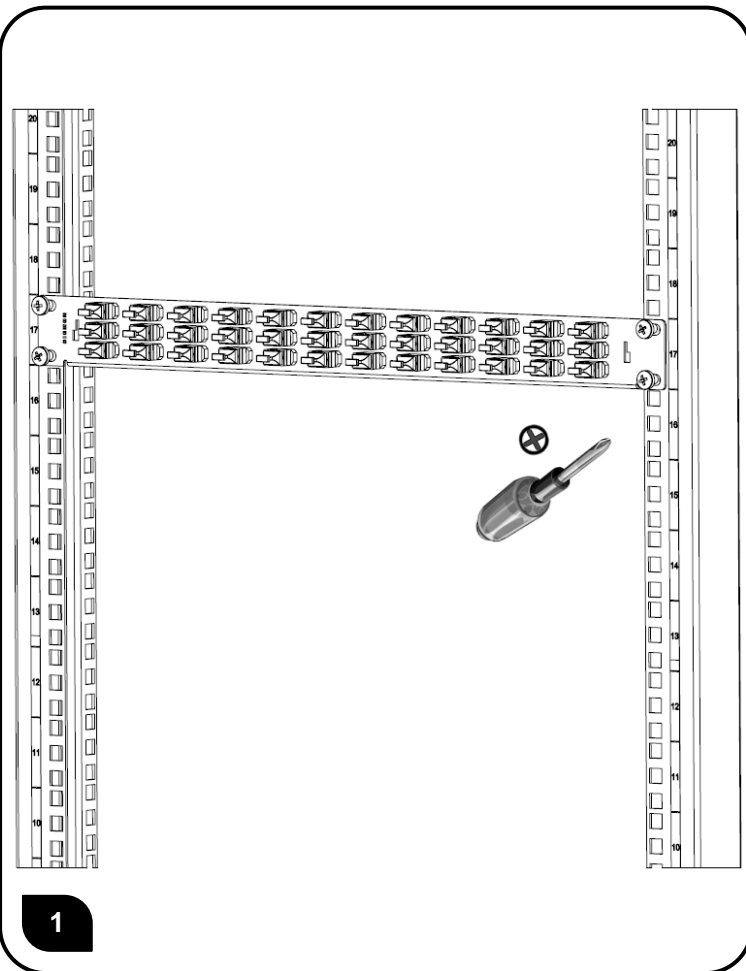


LightStack™ UHD MTP Fiber Adapter Panel Instructions

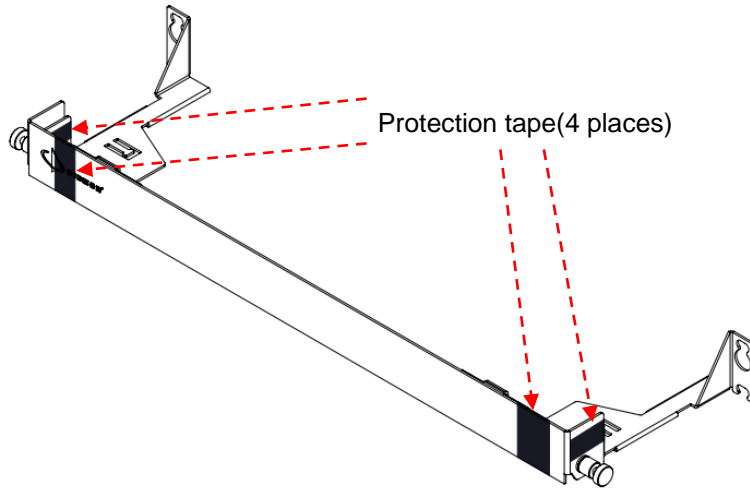


TOOL

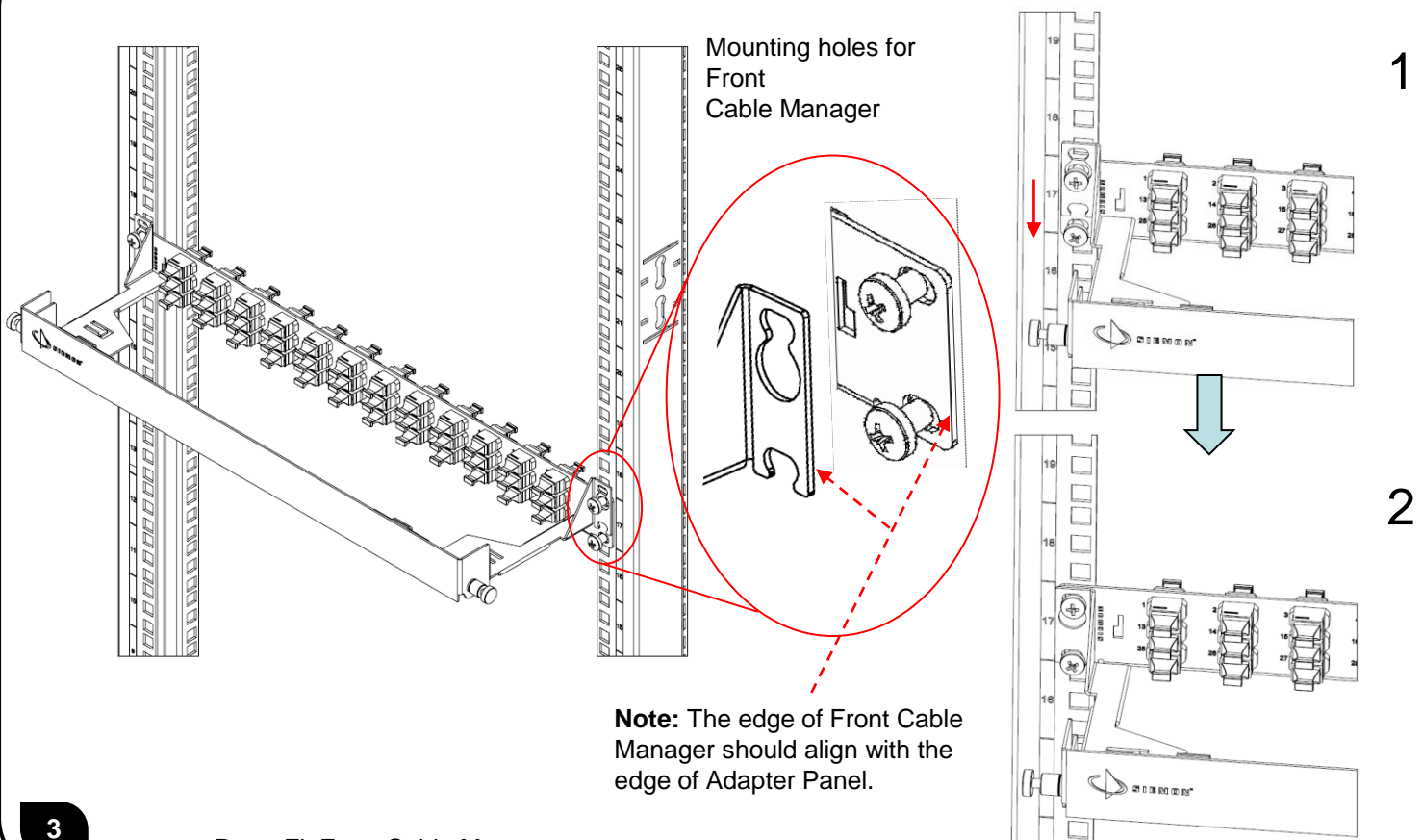


Front Cable Manager

LightStack™ UHD MTP Fiber Adapter Panel Instructions



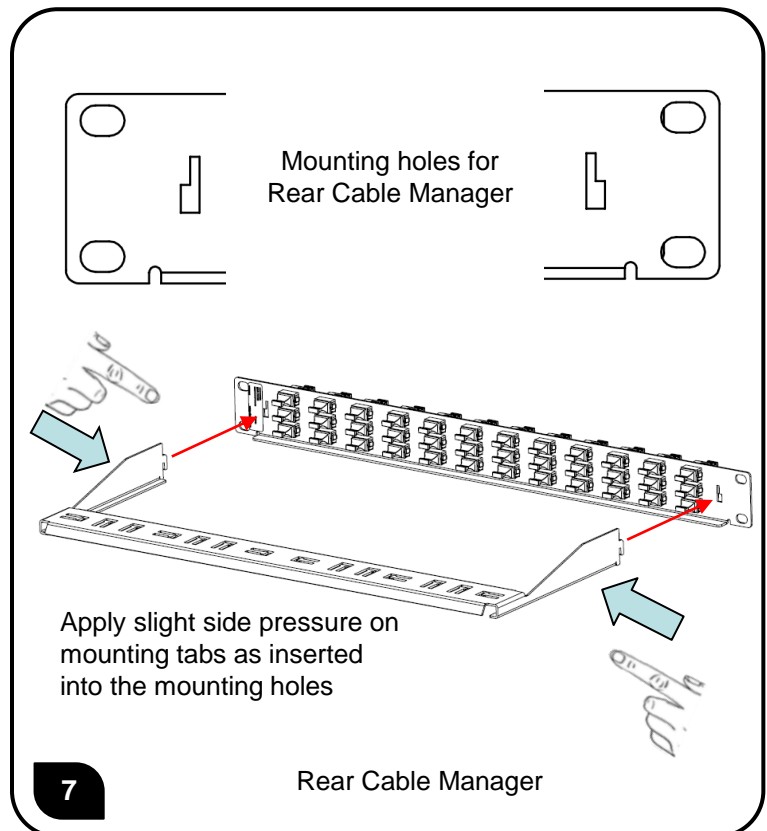
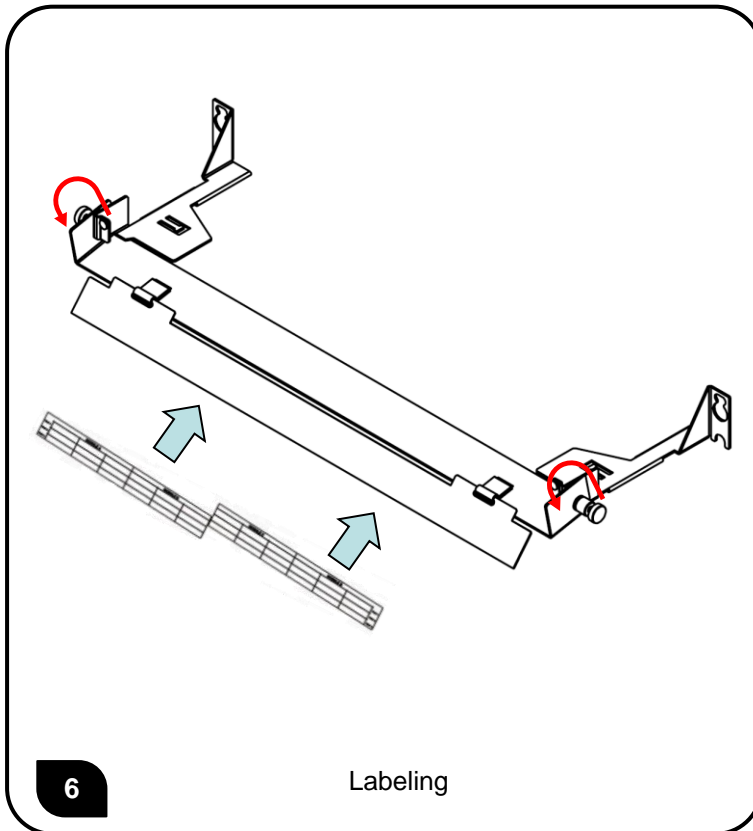
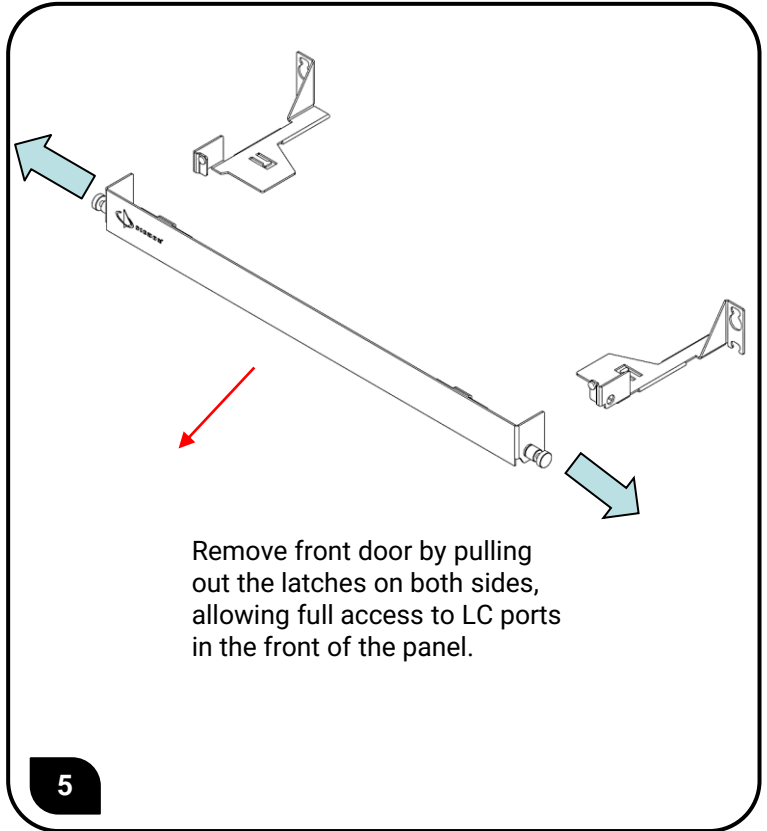
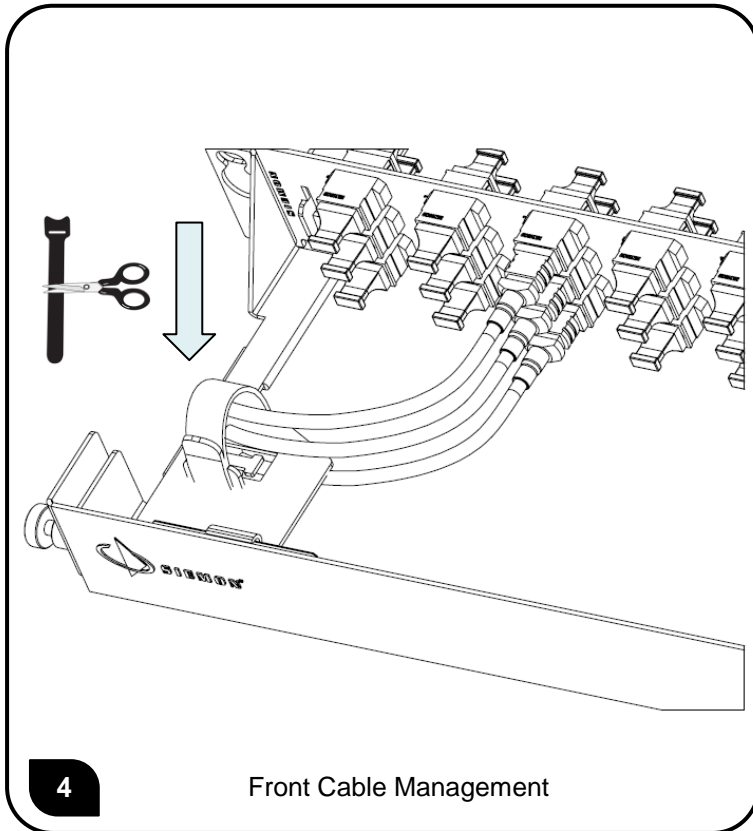
Do not remove the protection tape before Front Cable Manager is securely attached and the mounting screws have been tightened. (see step 3)



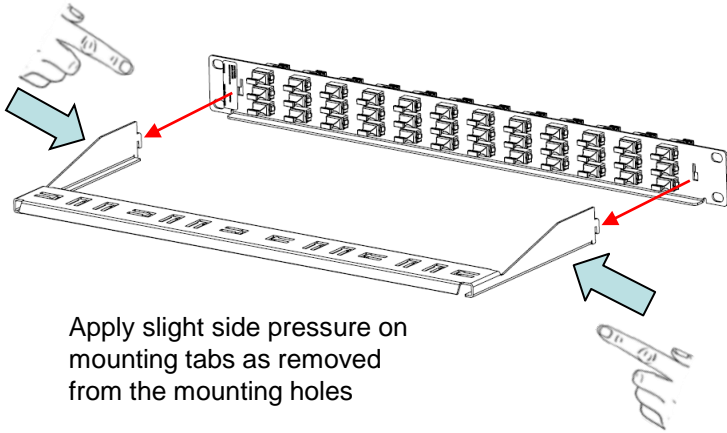
3

Retro Fit Front Cable Manager

LightStack™ UHD MTP Fiber Adapter Panel Instructions



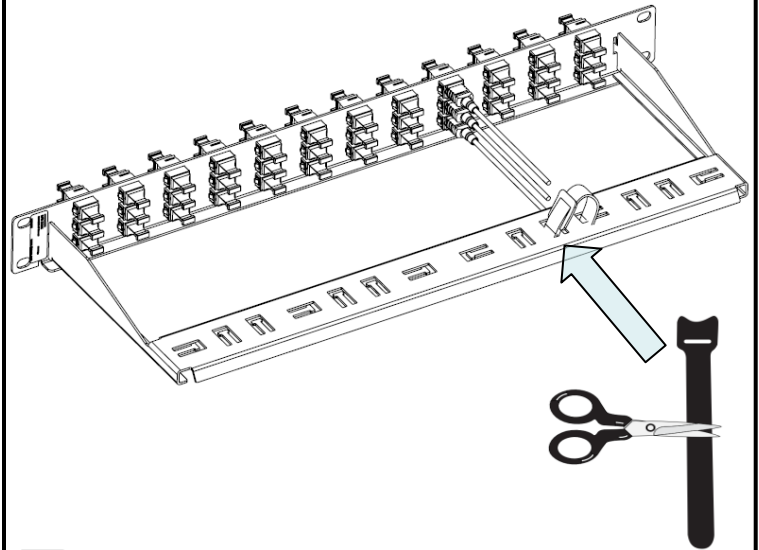
LightStack™ UHD MTP Fiber Adapter Panel Instructions



Apply slight side pressure on mounting tabs as removed from the mounting holes

8

Rear Cable Manager



9

Rear Cable Management

Comply with the following for safe installations:

- A. Use caution when installing or modifying telecommunications circuits.
- B. Never touch uninsulated wire terminals unless the circuit has been disconnected.
- C. Never install this device in a wet location.
- D. Never install wiring during a lightning storm.



Global Headquarters
Watertown, Connecticut USA
Tel: (1) 866-548-5814



For a complete listing of our global offices visit our web site