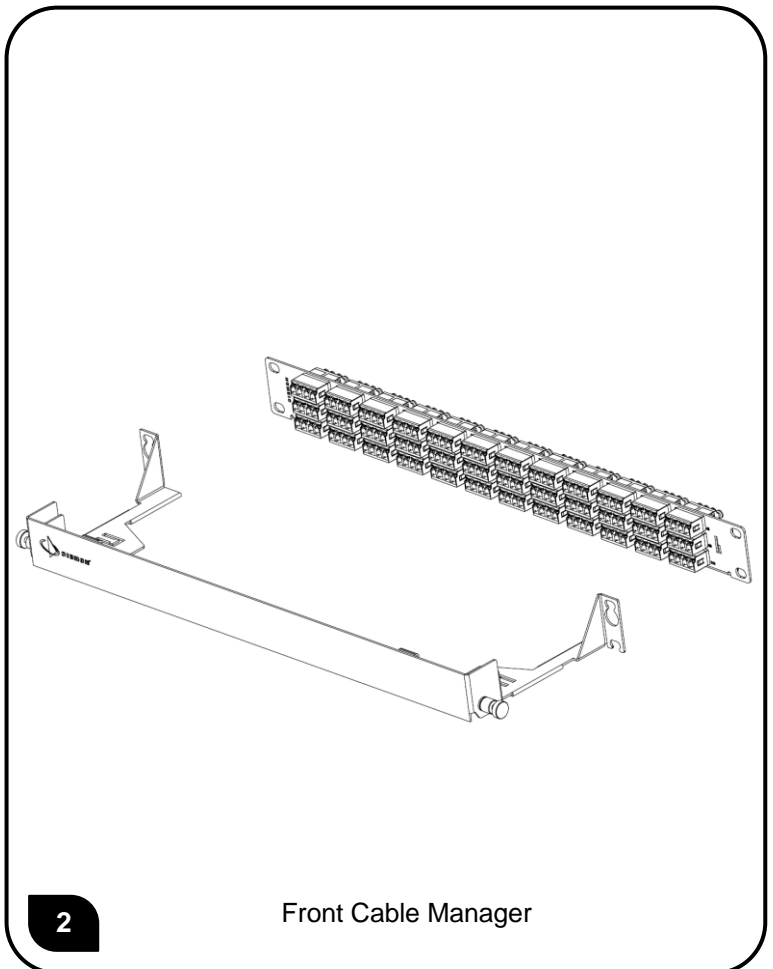
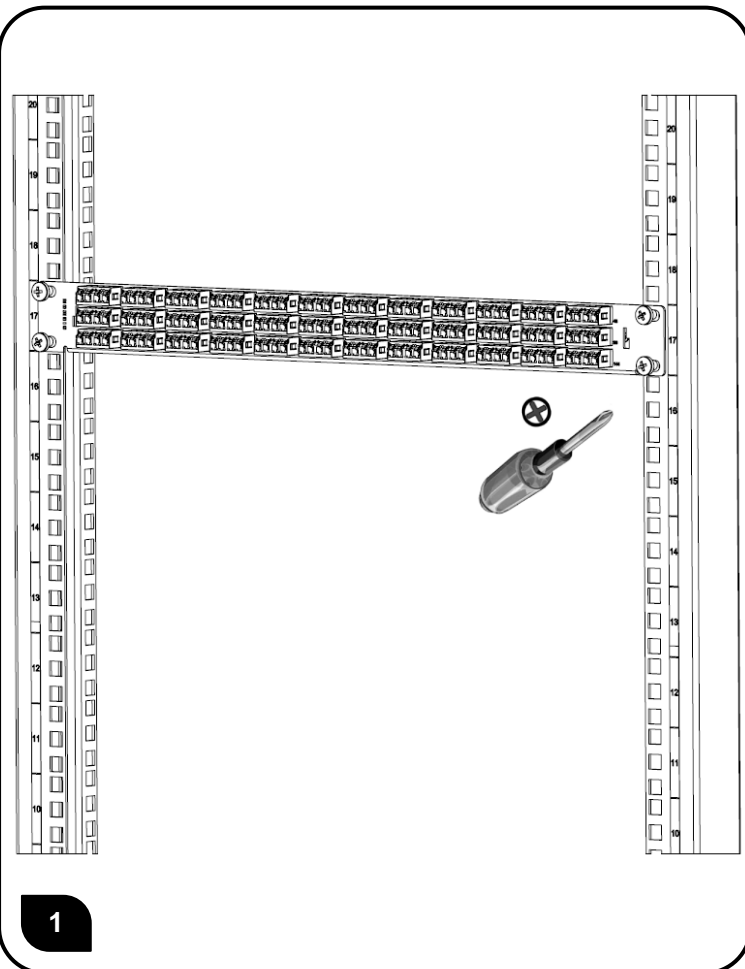
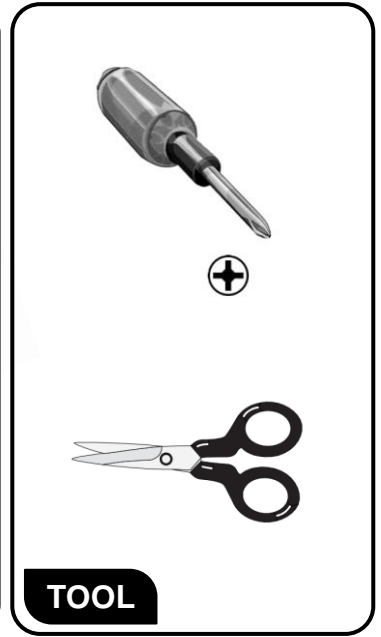
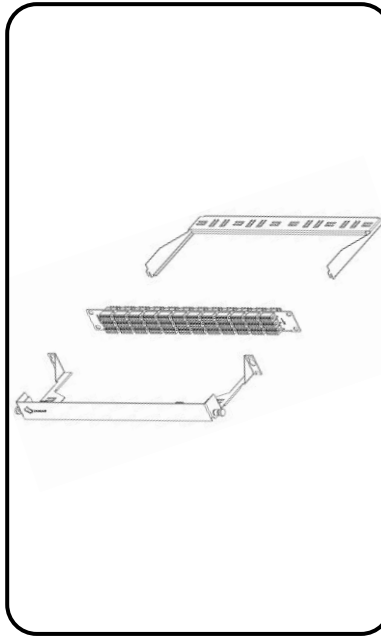
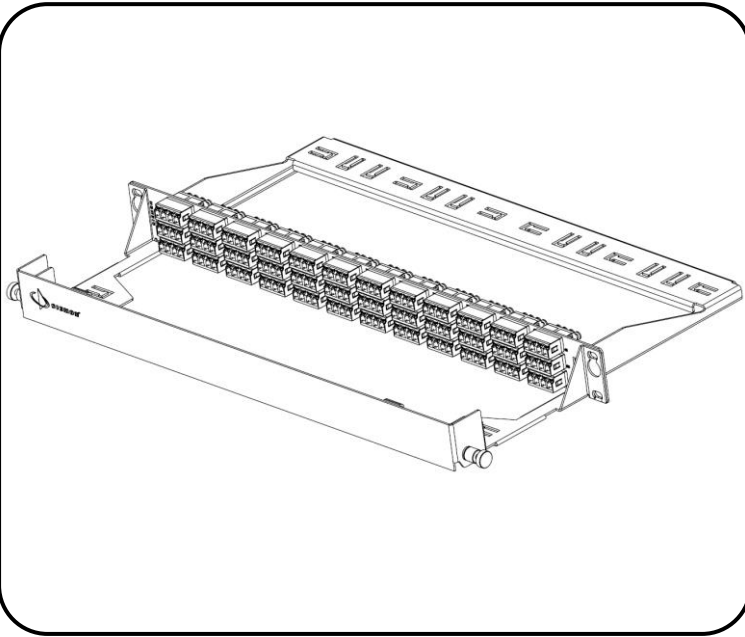
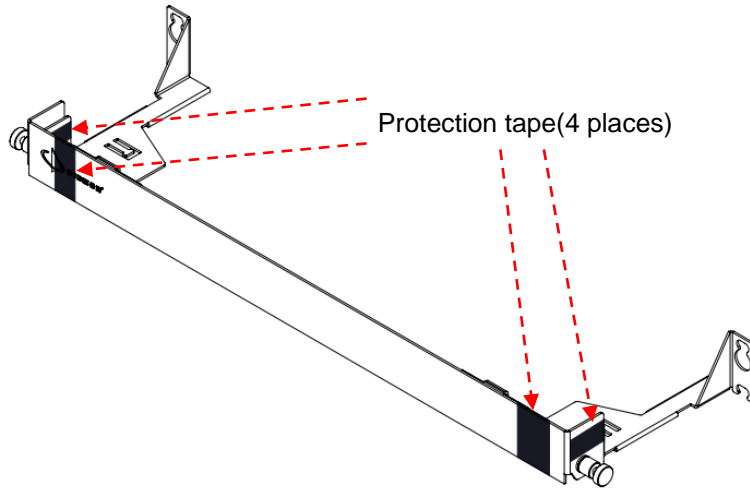


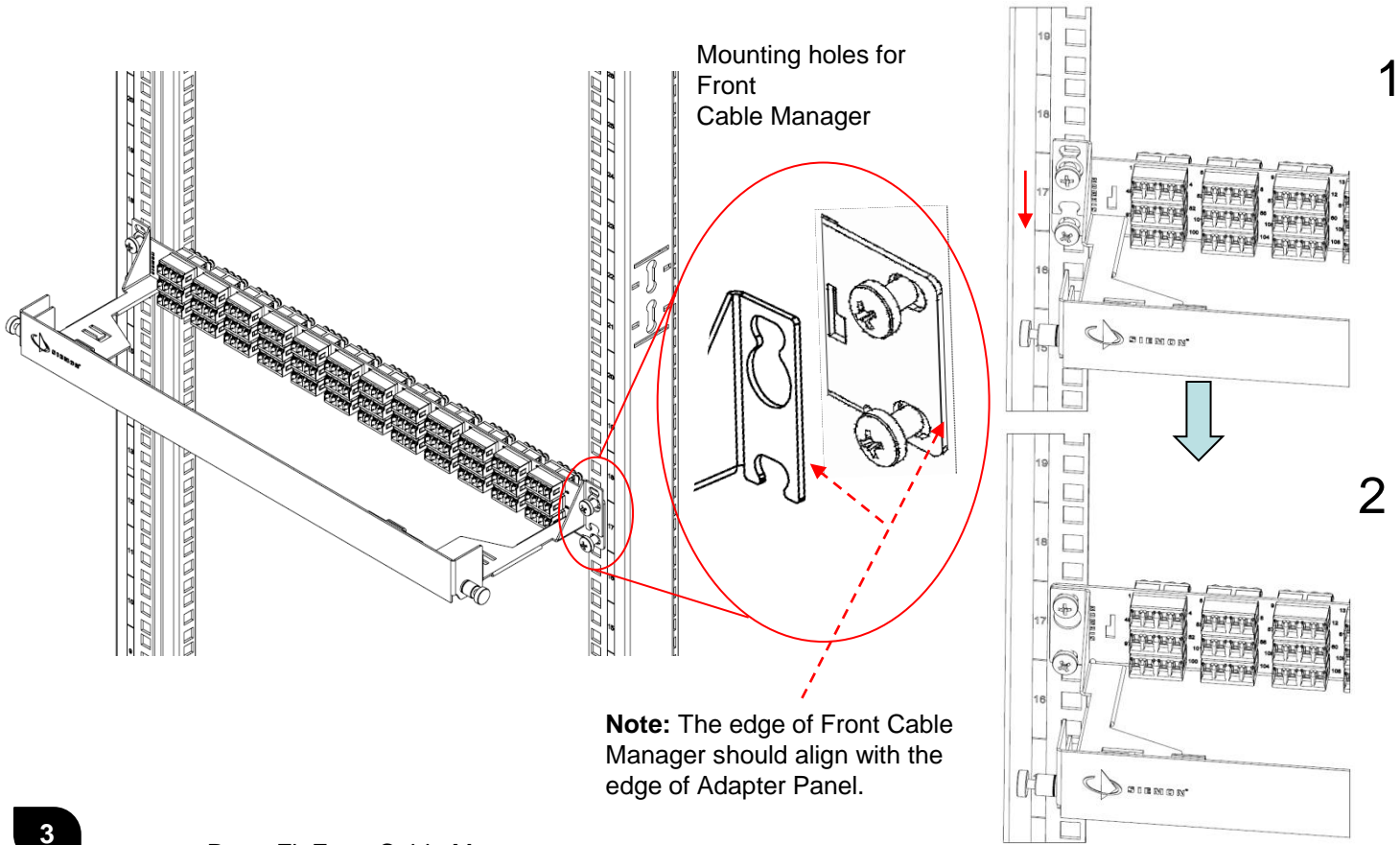
LightStack™ UHD LC Fiber Adapter Panel Instructions



LightStack™ UHD LC Fiber Adapter Panel Instructions



Do not remove the protection tape before Front Cable Manager is securely attached and the mounting screws have been tightened. (see step 3)

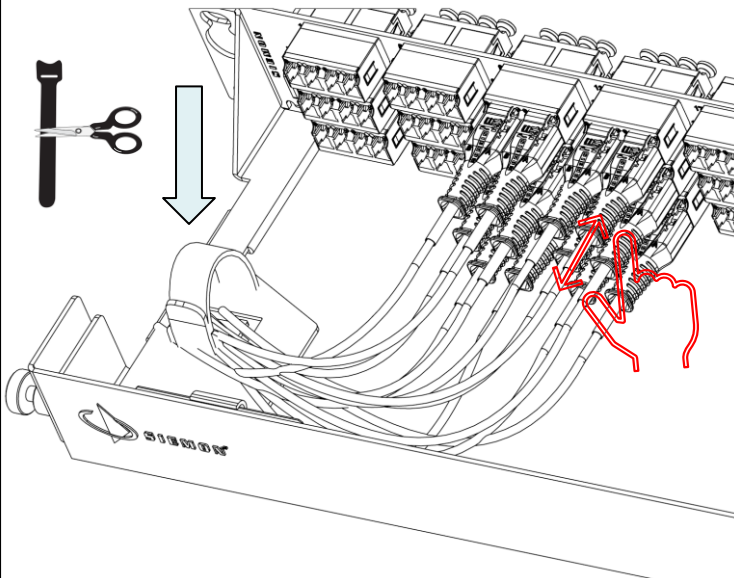


3

Retro Fit Front Cable Manager

LightStack™ UHD LC Fiber Adapter Panel Instructions

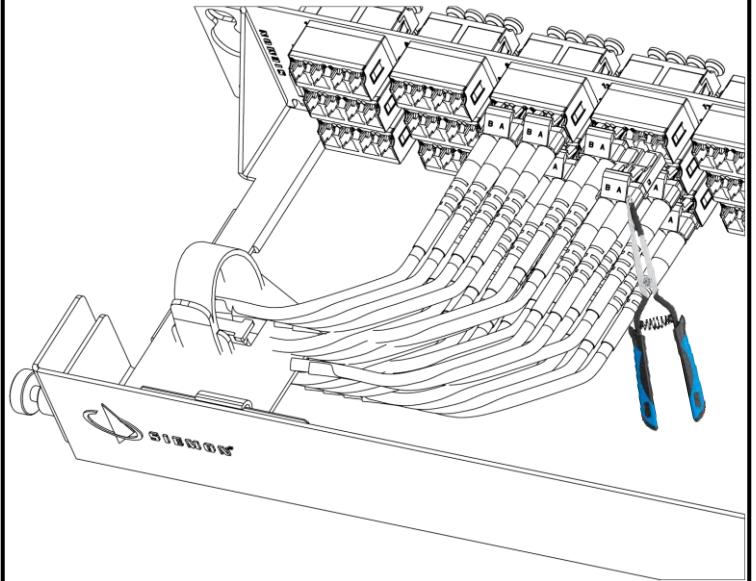
Use push-pull feature to remove jumper



4a

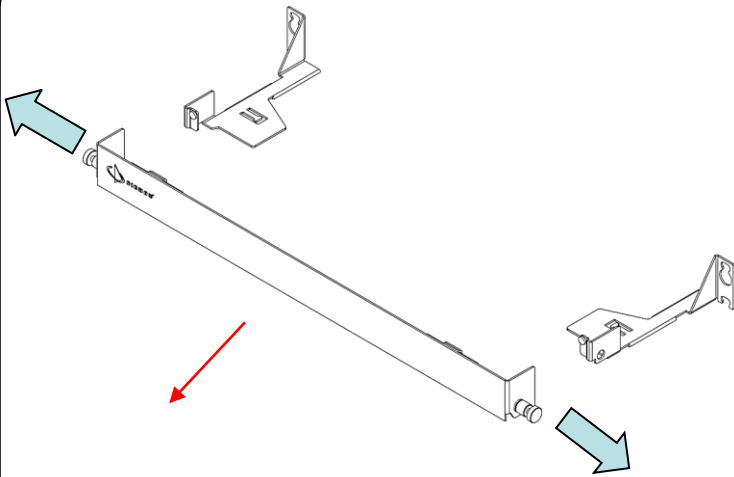
Use with Siemon LC BladePatch Jumpers

Use a 3rd party extraction tool to remove jumper



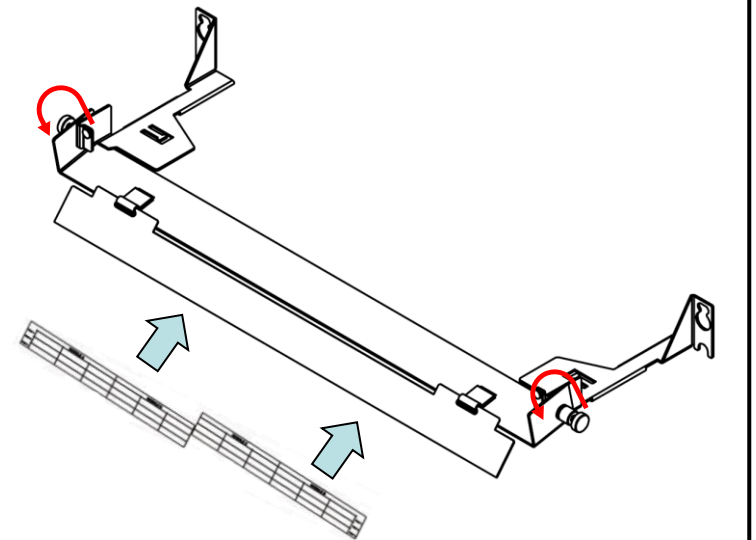
4b

Use with Siemon FJ2/J2 LC Jumpers



Remove front door by pulling out the latches on both sides, allowing full access to LC ports in the front of the panel.

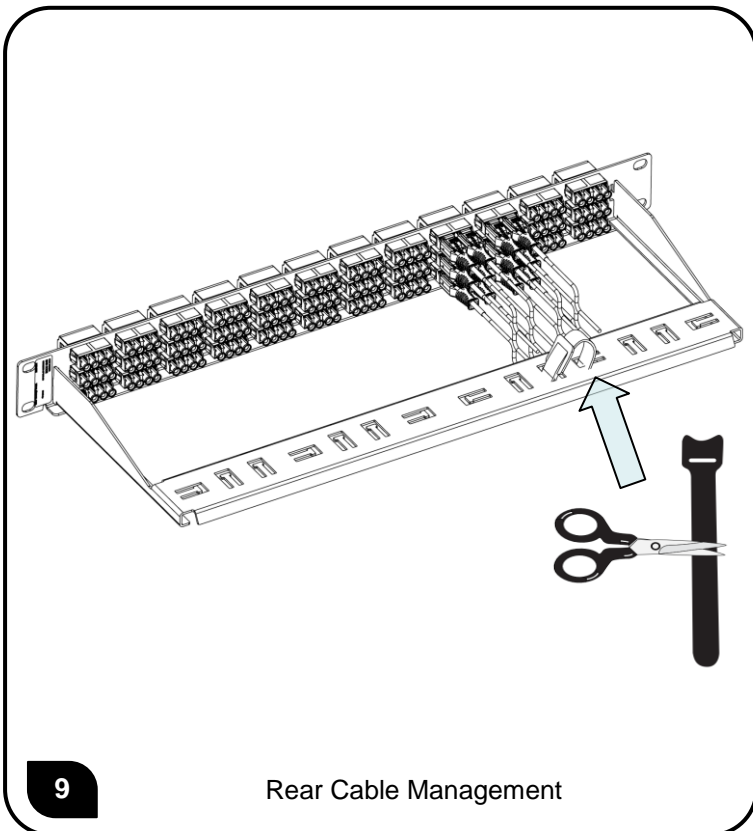
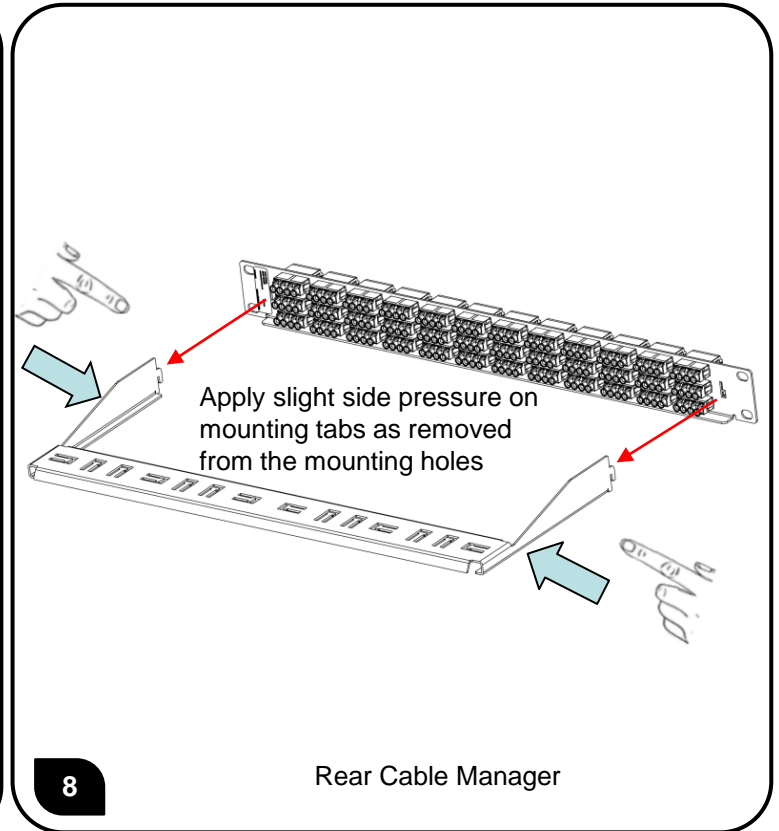
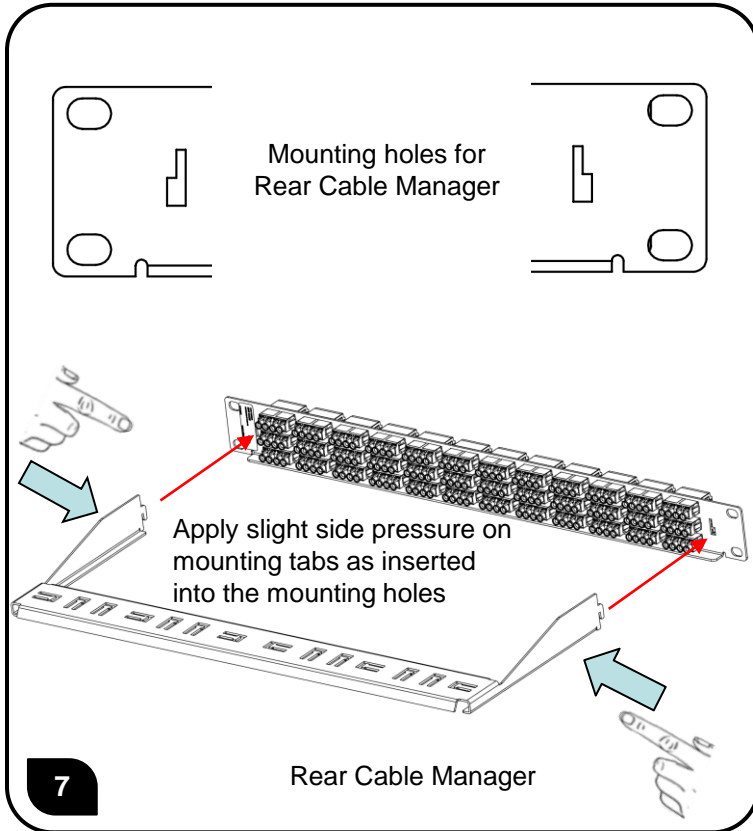
5



6

Labeling

LightStack™ UHD LC Fiber Adapter Panel Instructions



Comply with the following for safe installations:

- A. Use caution when installing or modifying telecommunications circuits.
- B. Never touch uninsulated wire terminals unless the circuit has been disconnected.
- C. Never install this device in a wet location.
- D. Never install wiring during a lightning storm.



Global Headquarters
Watertown, Connecticut USA
Tel: (1) 866-548-5814



For a complete listing of our global offices visit our web site