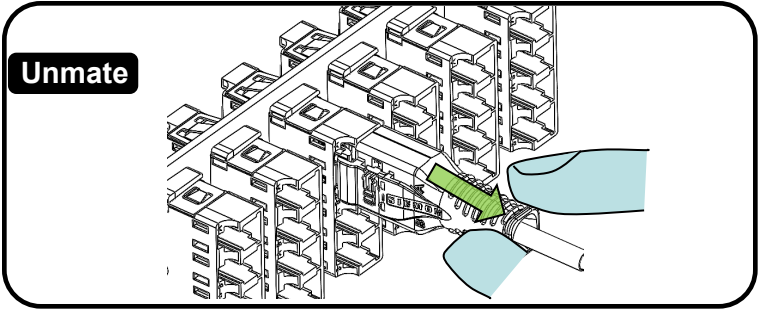
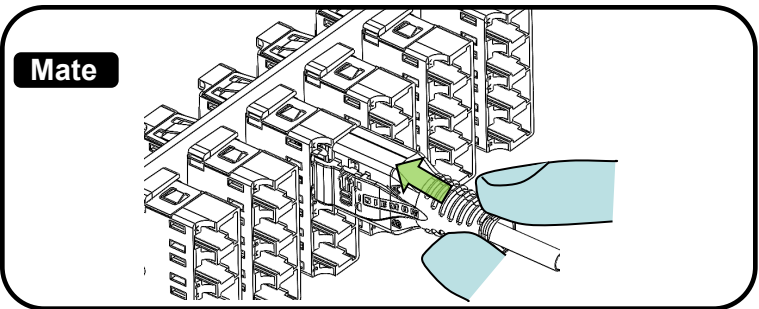
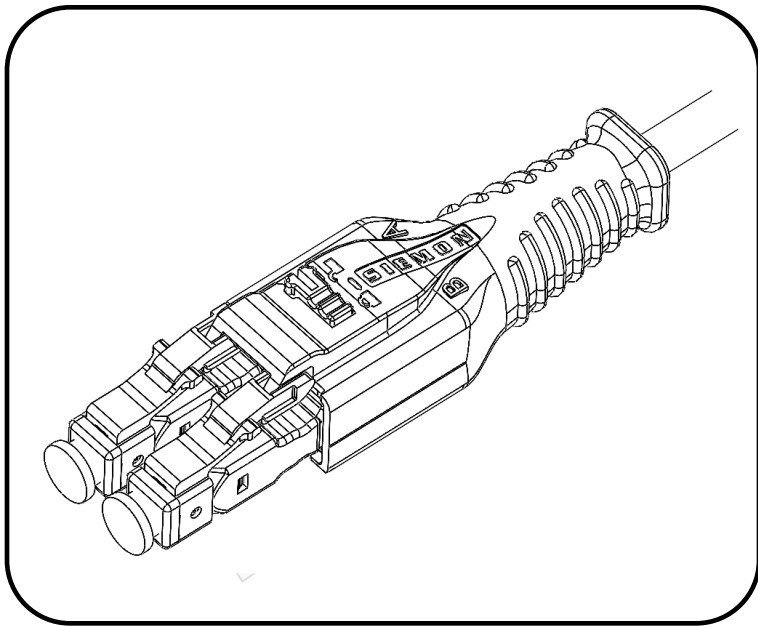


LC BladePatch Instructions

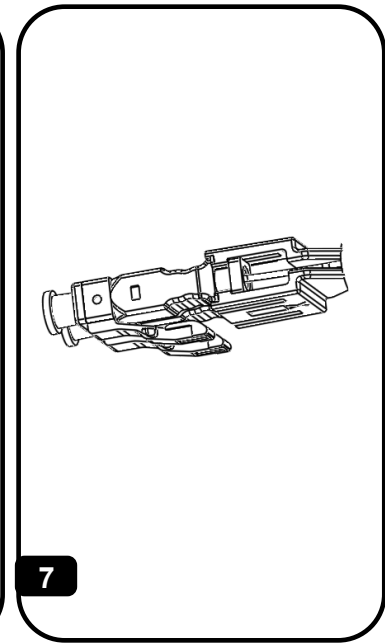
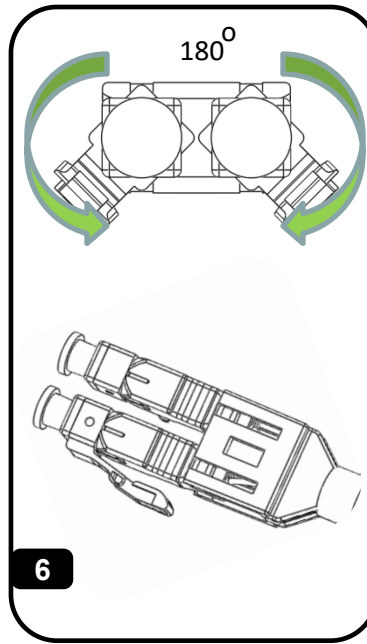
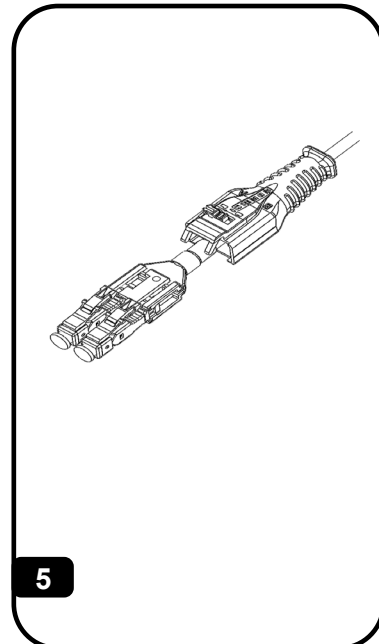
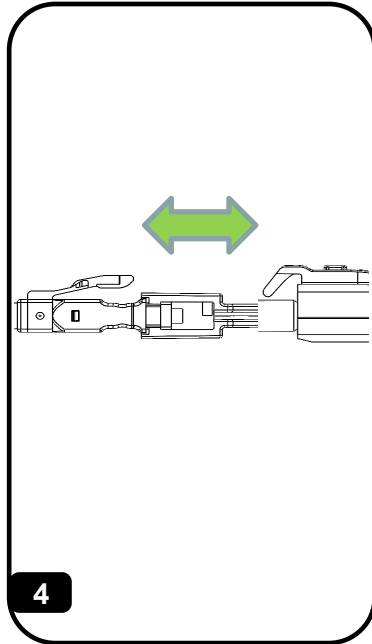
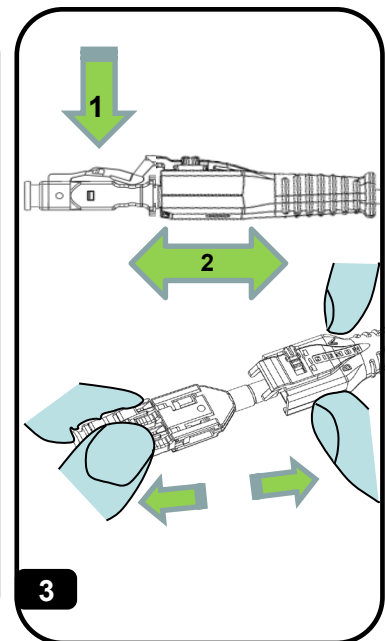
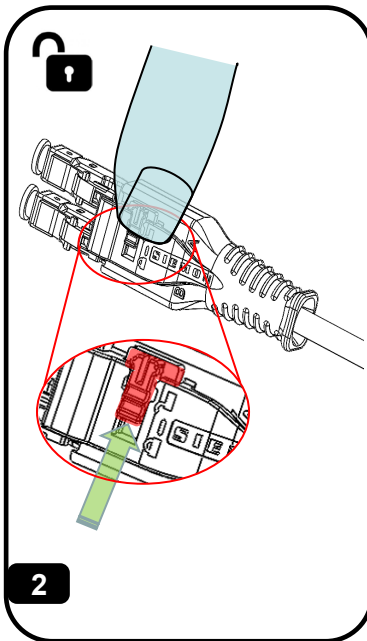


Polarity change

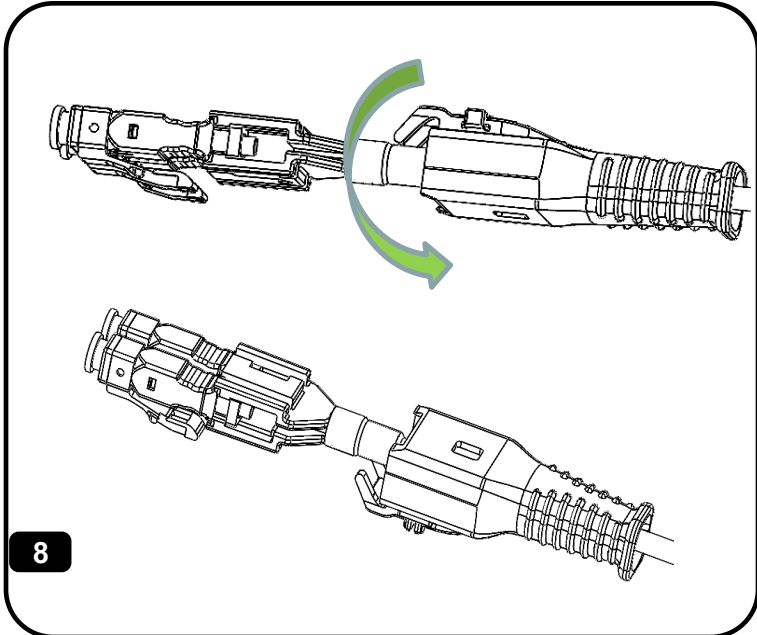
From the factory, jumpers come in **A-to-B** configuration:

To modify polarity, follow Steps 2-10:

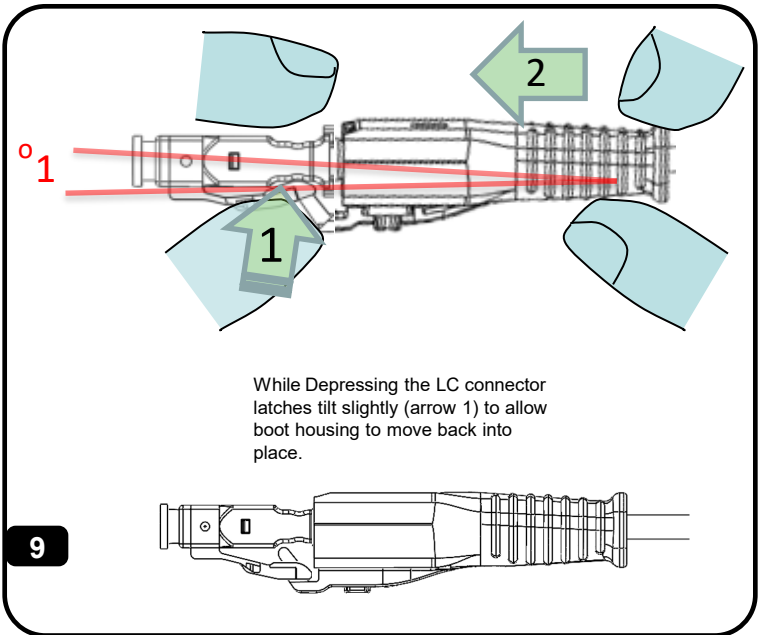
1



LC BladePatch instructions

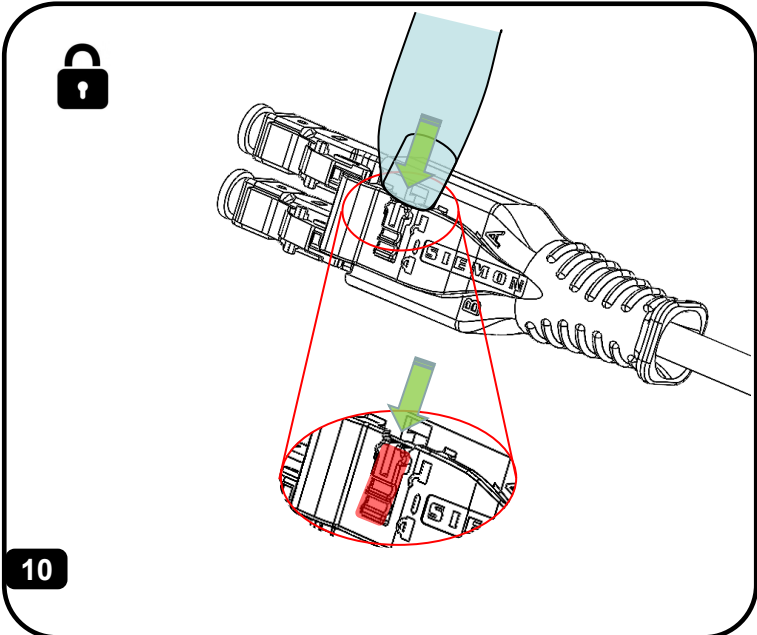


8

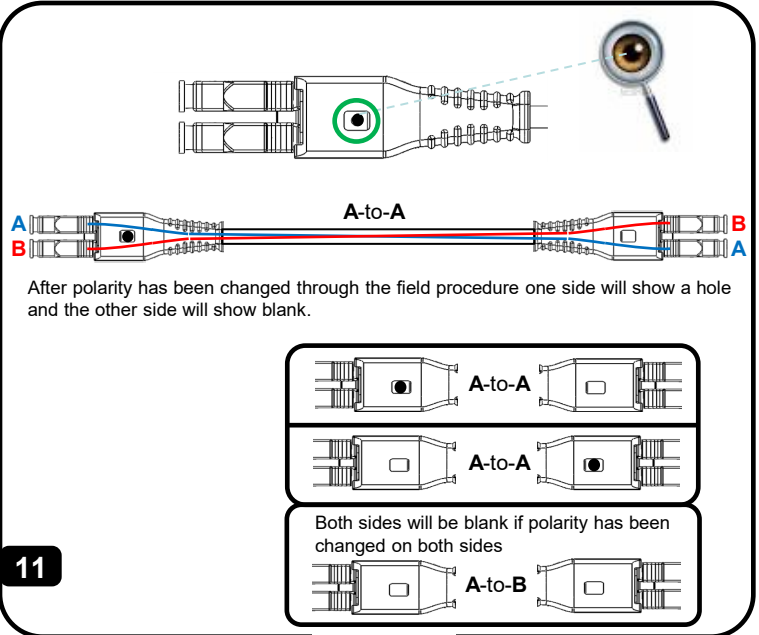


9

While Depressing the LC connector latches tilt slightly (arrow 1) to allow boot housing to move back into place.

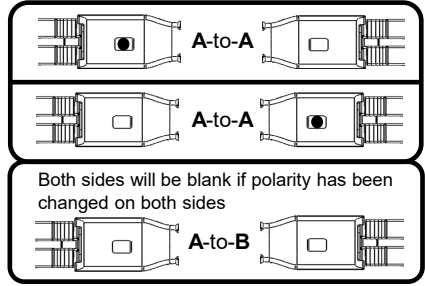


10



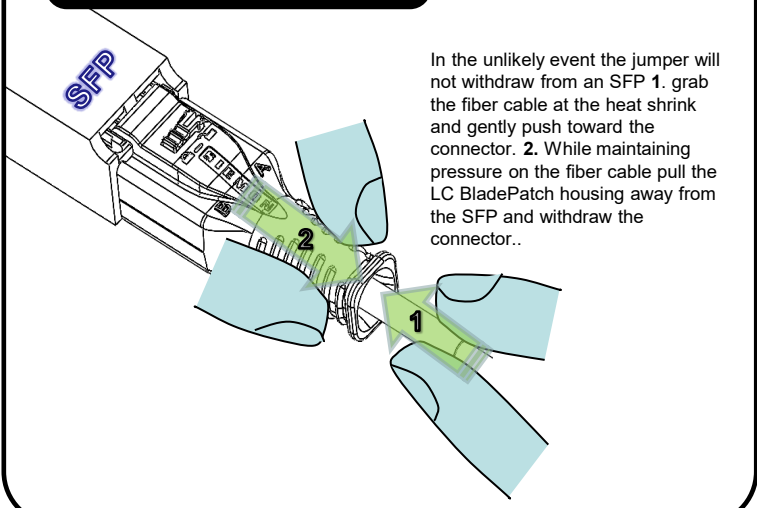
11

After polarity has been changed through the field procedure one side will show a hole and the other side will show blank.



Both sides will be blank if polarity has been changed on both sides

Procedure for out of spec. SFP port removal



In the unlikely event the jumper will not withdraw from an SFP 1. grab the fiber cable at the heat shrink and gently push toward the connector. 2. While maintaining pressure on the fiber cable pull the LC BladePatch housing away from the SFP and withdraw the connector..

Comply with the following for safe installations:

- A. Use caution when installing or modifying telecommunications circuits.
- B. Never touch uninsulated wire terminals unless the circuit has been disconnected.
- C. Never install this device in a wet location.
- D. Never install wiring during a lightning storm.



Global Headquarters
Watertown, Connecticut U
Tel: (1) 866-548-5814



For a complete listing of our global offices visit our web site