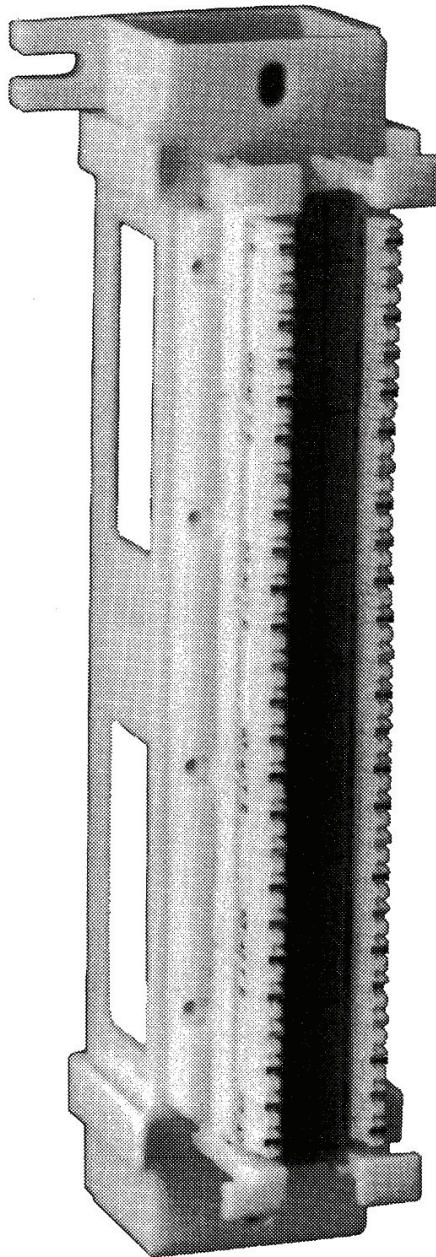


S110 Wiring Block on an 89 Retainer Installation Instructions



Global Headquarters

Watertown, Connecticut USA

Tel: (1) 866-548-5814

For a complete listing of our global offices visit our web site



www.siemon.com

To assist safe installations, comply with the following:

- A. Use caution when installing or modifying telecommunications circuits.
- B. Never touch uninsulated wire terminals unless the circuit has been disconnected.
- C. Never install this device in a wet location.
- D. Never install wiring during a lightning storm.

Lors de l'installation, respectez les consignes de sécurité suivantes:

- A. Utiliser avec prudence lors de l'installation ou de la modification circuits de télécommunications.
- B. Ne jamais toucher les bornes de fil métallique non isolés sauf si le circuit a été débranché.
- C. Ne jamais installer cet appareil dans un endroit humide.
- D. Ne jamais installer pendant un orage.

ORDERING INFORMATION

Item	Description
S110DW1-50-89	50-pair, wiring block mounted to a 66-type retainer
S110DA1-50FT-89	50-pair, wiring block, with (10) S110C-5
S110DB1-50FT-89	50-pair, wiring block, with (10) S110C-4, (2) S110C-5
S110DC1-50FT-89	50-pair, wiring block, with (14) S110C-3, (2) S110C-4
S110TA1-25-89	25-pair, disconnect block, with (10) S110C-5
S110TB1-25-89	25-pair, disconnect block, with (10) S110C-4, (2) S110C-5
S110-LBL-(X)	2-, 3-, 4-, 5-pair white designation labels, bag of 6*
S110-HLDR	Transparent designation label holder, bag of 6
S110 CVR-50-(XX)	50-pair, S110 cover, <i>Specify (XX) 00=clear, 20=ivory</i>
S81401-110-88	Replacement insertion/cutoff blade
S814-110	Single wire insertion/cutoff tool with blade
S110C-3	3-pair connecting block
S110C-4	4-pair connecting block
S110C-5	5-pair connecting block
S110P4	S110 category 5, 4-pair, field-terminated patch plug
S110P4-P4-(XX)**	Category 5, pre-terminated, 4-pair, double-ended S110 Patch cord, T568A wiring
S110P4-T4-(XX)**	Category 5, pre-terminated, 4-pair, S110-to-modular plug wired T568A
S110P4-A4-(XX)**	Category 5, pre-terminated, 4-pair, S110-to-modular plug wired T568B
S89B	Stand-off bracket with (1) 25-pair connector mounting location
S89D	Stand-off bracket with (4) 25-pair connector mounting locations

**Also available in other colors. Call our Customer Service Department for more information.*

***Use (XX) to specify length of pre-terminated cable assemblies:
03= 0.91 m (3 ft), 07=2.13 m (7 ft), 10=3.05 m (10 ft)*



The Siemon Company

S110 Wiring Block on an 89 Retainer Installation Instructions

1. One stand-off bracket is required per wiring block. Secure the stand-off bracket to a cross-connect panel or flat surface. Position the wiring block above the bracket as shown in Figure 1. Align the mounting tabs of the 89 retainer with the mounting latches of the stand-off bracket and push the wiring block with retainer onto the mounting bracket until the latches snap into place.

Note: The wiring block on an 89 retainer is intended to be used with S89D or S89B mounting brackets. It is not intended to be mounted directly on a wall or backboard.

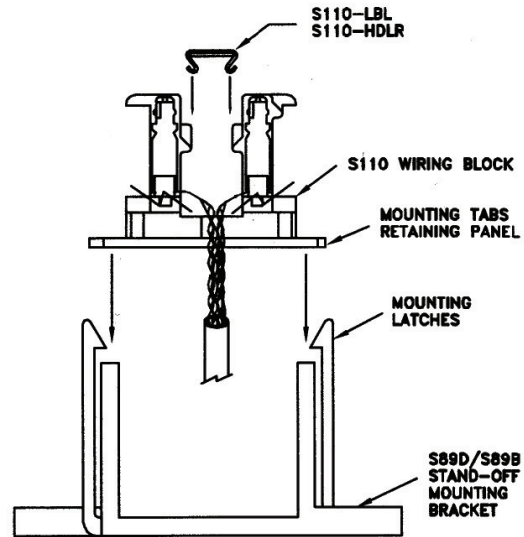


Figure 1

Assembling the 50-pair wiring block and 89 retainer to the stand-off bracket.

2. To terminate cables to the wiring block, remove or strip back only the length of cable jacket required for termination and trimming. Seat individual pairs in the termination strip as shown in Figure 2. (Cut-outs have been provided for optional cable access through the back of the wiring block.)

The tip wire of pair-1, T1 (white with blue markings), should be laced into the top-most slot. The ring wire of pair-1, R1 (blue), should be laced into the next slot below. Care should be taken to maintain twists as close as possible, 13 mm (0.5") or less, to the termination strip. Subsequent pairs should follow this same pattern, always keeping the tip wire above the ring wire. Typically, "TIP" conductors are white and "RING" conductors are designated by a color. No more than one wire should be seated into each slot. For convenience, every fifth pair has been designated by a notch and black marking.

After each pair has been seated into the termination strip, excess wire should be trimmed with the cutting edge of a Siemon impact tool (P/N: S814-110 or equivalent).

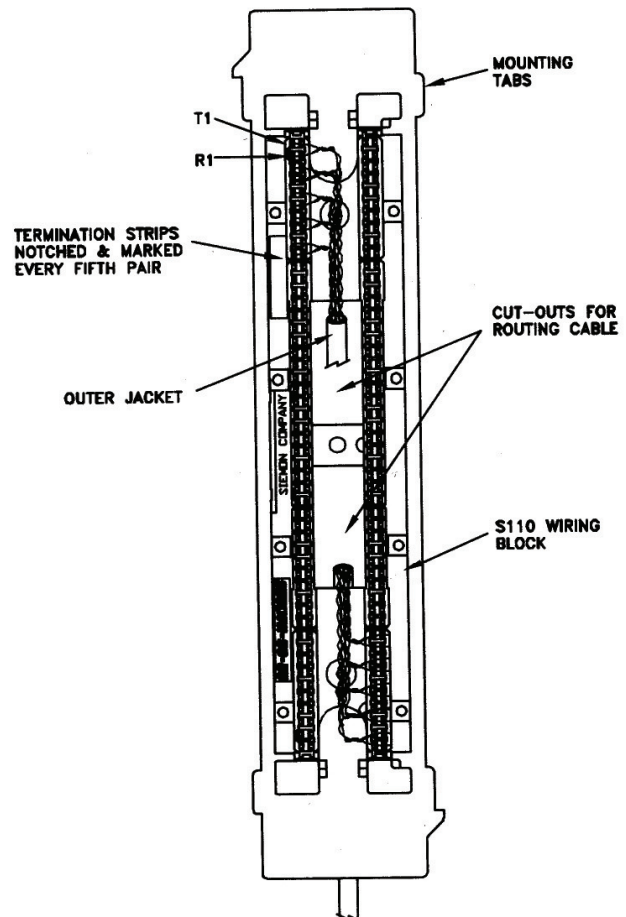


Figure 2

Configure cable to the S110 Wiring Block

3. Orient the S110 connecting block as shown in Figure 3 with the blue marking on the top. Seat the S110 connecting block using a 5-pair impact tool.

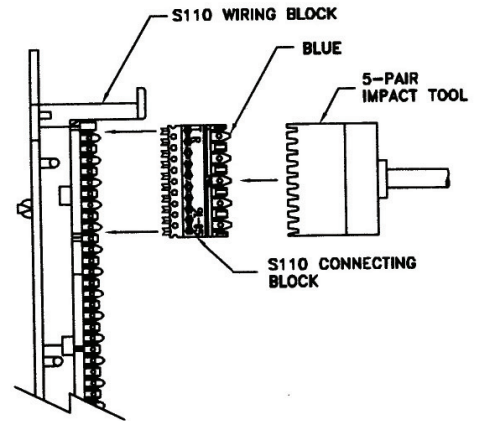


Figure 3
Seating the S110 Connecting Block

4. To terminate wires to the S110 connecting block, remove or strip back only the length of cable jacket required for termination and trimming. Seat the conductors in the connecting block following the color code shown in Figure 4 and described in Step 2. Care should be taken to maintain twists as close as possible, 13 mm (0.5") or less, to the point of termination.

Typically, cable entering from the top is terminated on the left side, and cable entering from the bottom is terminated on the right side of the connecting block. (See Figure 2). This option may be reversed if desired.

Using a single position S110 tool (P/N S814-110 or equivalent), terminate the cable conductors on a firm surface. Be sure that the cutting edge of the tool is oriented correctly to allow trimming of excess wire (see Figure 5). Remove all cut remnants from the S110 wiring block.

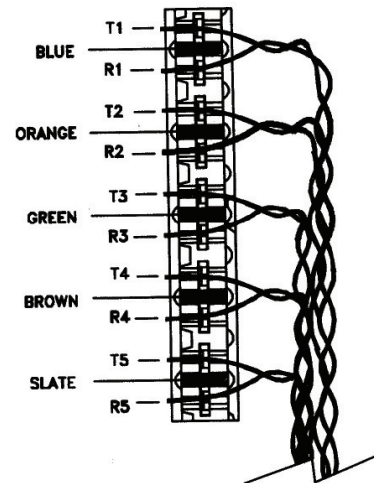


Figure 4
Top view of a 5-pair
S110 Connecting Block

5. Mark circuit designation strip (S110-LBL) and slide strip into holder (S110-HLDR). Snap the holder onto the wiring block as shown in Figure 1. The label and holder provide circuit identification and a neat appearance.

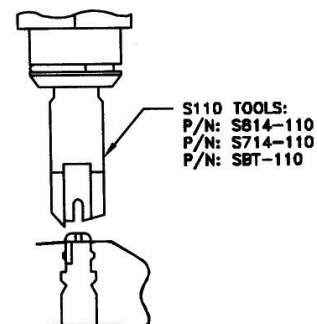


Figure 5