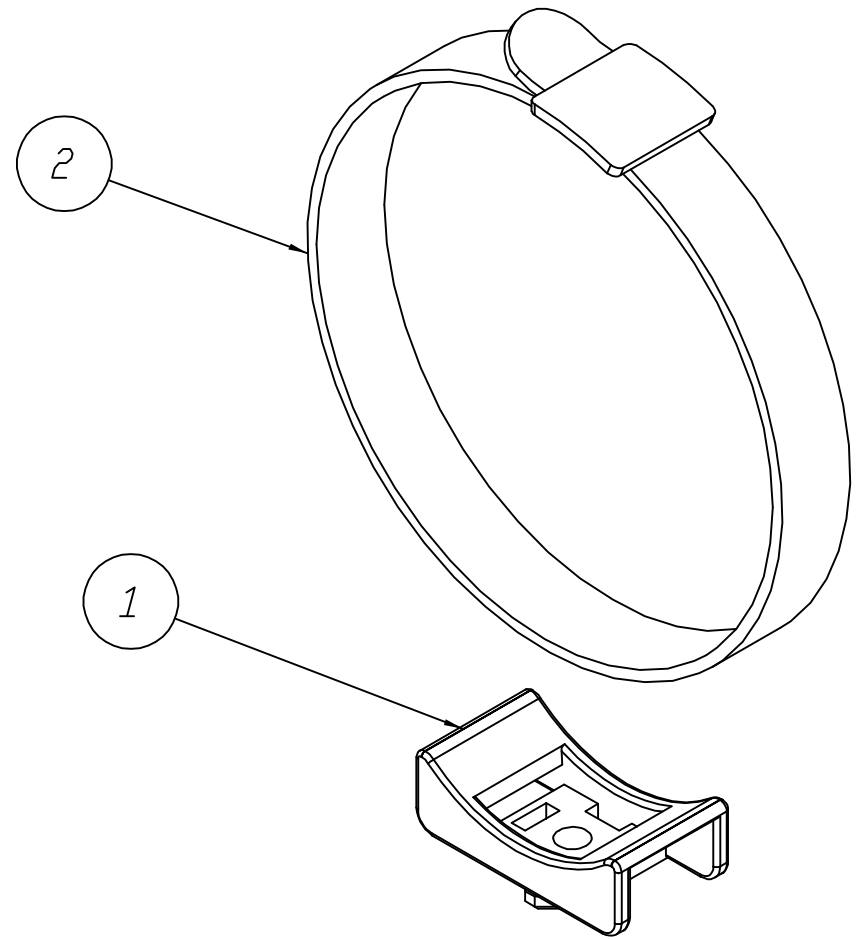
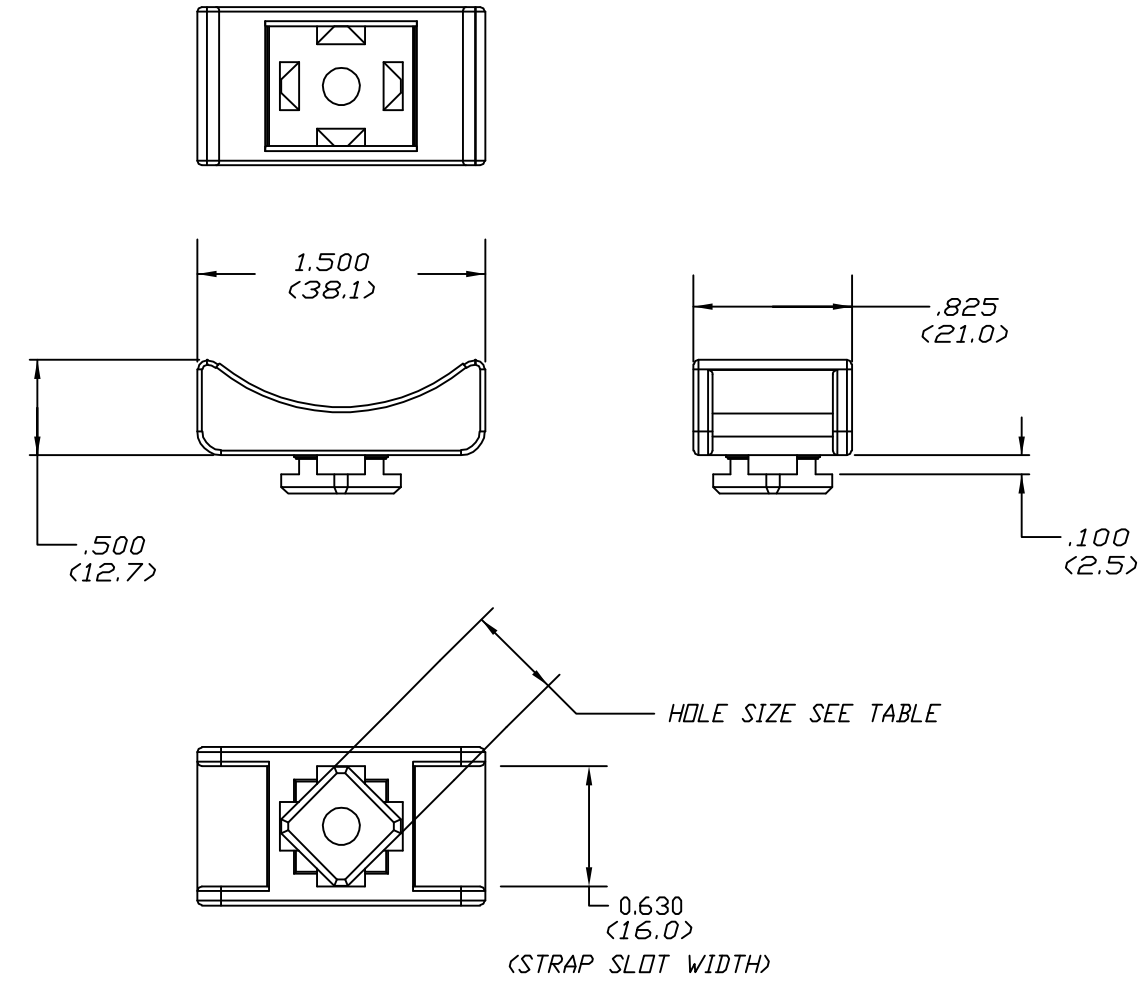


ITEM #	DESCRIPTION	QTY
1	STRAP HOLDER	10
2	CABLE STRAP (ROLL OF 25-18.0(457.2) LONG)	1
-	CARTON	1

P/N	SNAPS INTO	
	HOLE SIZE	MATERIAL THK.
RS-VCM	.500"(12.7mm)SQ.	.100"(2.54mm)
VP-VCM	.375"(9.5mm)SQ.	.06"(1.5mm) to .100"(2.54mm)

REV.	ECO NO.	REVISIONS	BY	DATE	APVD.
A	3028	NEW RELEASE	MCV	9/5/96	MCV 9/5/96
B	3790	UPDATED TITLE BLOCK	EP	1/5/98	EP 1/9/98
C	1795	C1: ITEM 2 WAS-10-18.0(457.2)LONG C2: DELETED NOTE #2. C3: ADDED TABLE. C4: ADDED VP-VCM TO TABLE. C5: UPDATED COMPANY LOGO SPECS.	WP	9/23/08	DG 9/24/08



C2
1) MATERIAL: STRAP HOLDERS-BLACK NYLON
STRAPS-HOOK AND LOOP

NOTES:

PROPRIETARY INFORMATION
THIS DOCUMENT CONTAINS PROPRIETARY INFORMATION OF THE SIEMON COMPANY AND IS DELIVERED ON THE EXPRESSED CONDITIONS THAT IT IS NOT TO BE DISCLOSED OR REPRODUCED IN WHOLE OR PART, OR USED FOR MANUFACTURING FOR ANYONE OTHER THAN THE SIEMON COMPANY WITHOUT ITS WRITTEN CONSENT AND THAT NO RIGHT IS GRANTED TO DISCLOSE OR SO USE ANY INFORMATION CONTAINED IN SAID DOCUMENT.

THE SIEMON COMPANY
101 SIEMON COMPANY DRIVE
WATERTOWN, CT 06795
(860) 945-4200 www.siemon.com

TOLERANCES	DRAWN BY	DATE
.00 ±.02	MCV	9/5/96
.000 ±.010	CHECKED BY	DATE
.0000 —	ENGINEER	DATE
ANGLES	1°	

ANSI Y14.5M-1982 OR ISO 1101, 129 & 3040
DIMENSIONS IN SQUARE BRACKETS ARE [mm], ALL OTHER DIMENSIONS ARE INCHES. DO NOT SCALE

TITLE
STRAP HOLDERS FOR RACK SYSTEM

DWG. NO.
B-9028080

PART NO.
(XX)-VCM

REV.
C

SCALE
1:1

SHEET **1** OF **1**

DWG. NO. B-9028080 SH 1 REV. C