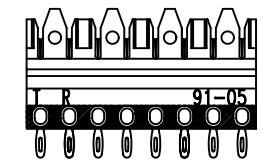
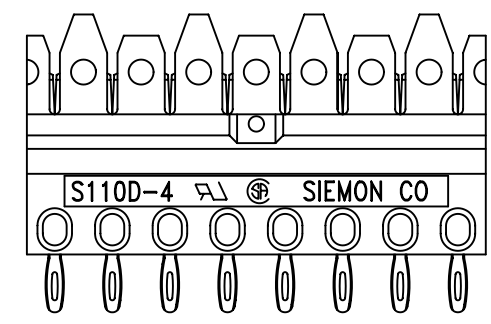
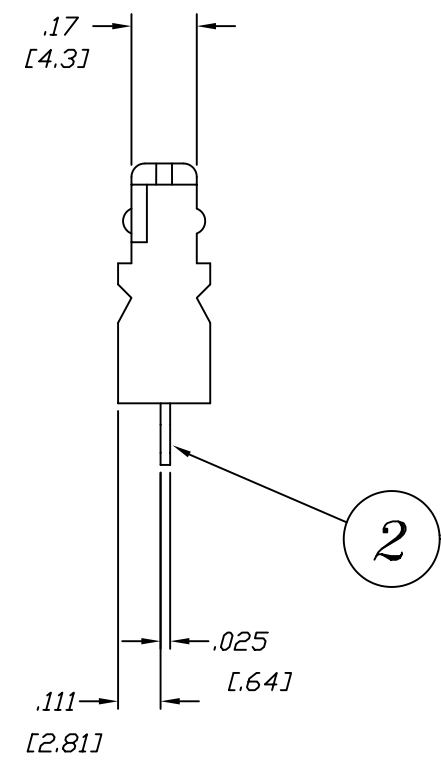
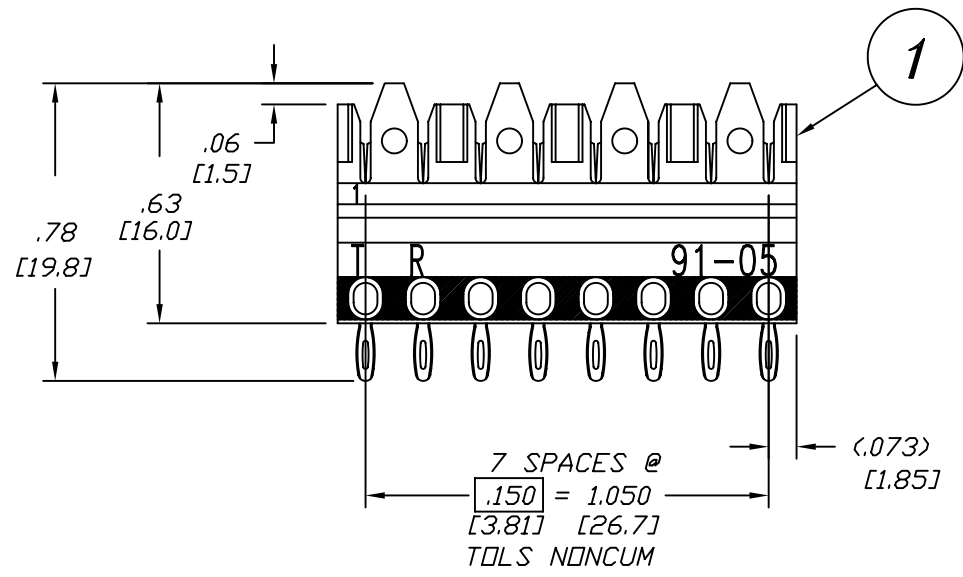
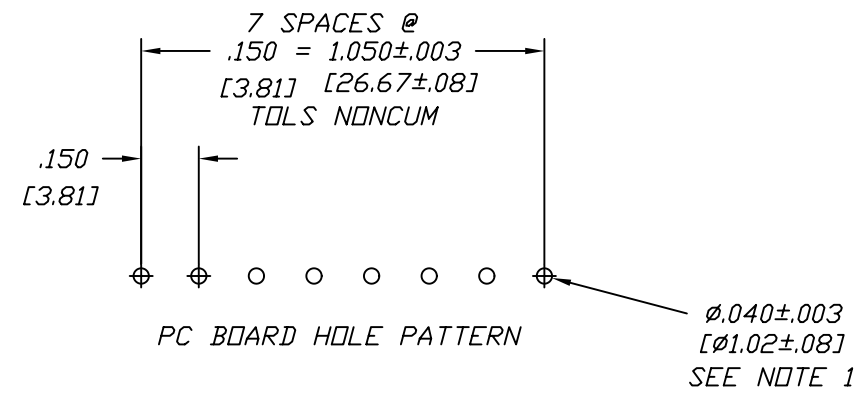
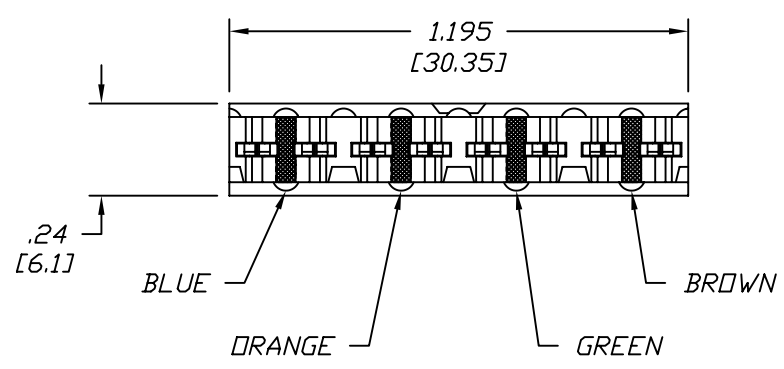


ITEM NO.	DESCRIPTION	QTY
1	INSULATOR, 4-PAIR, 110 PRINTED CIRCUIT CONNECTOR	1
2	CONTACTS, S110D PCB SOLDERLESS CONNECTOR	8
-	POLYBAG (100 ASS'Y PER)	1
-	CARTON, (25 POLYBAGS PER)	1

REV.	SCN NO.	REVISIONS	BY	DATE	APV.D.
A	1220	NEW RELEASE	CH	1/11/93	HR 1/12/93
B	2713	ADDED NOTE 4	CH	2/16/96	CDH/RJB 2/16/96
C	3790	UPDATED TITLE BLOCK	EP	1/7/98	RJB 1/9/98



ACTUAL SIZE

- (B1)** 4. CATEGORY 5 COMPLIANT PER ISO/IEC 11801; ANSI/TIA/EIA-568-A; CENELEC EN 50173; LISTED PER UL 1863; FILE NUMBER E116135; CERTIFIED PER CSA NUMBER LR 69029; CE COMPLIANT.
3. INSTALLATION TOOL REQ'D TO MOUNT CONNECTOR ON PCB (S110T-01)
2. MIN PCB THICKNESS .062 [1.57]
1. .125 THK PCB PLATED THRU HOLE REQUIREMENTS:
- A. HOLE MUST BE DRILLED TO .0453+.0015-.0010 DIA [1.151+.038-.025 DIA]
  - B. PLATING THICKNESS MUST BE .001-.003 [0.03-.08] COPPER & .0001-.0008 [0.003-.020] SOLDER
  - C. FINAL HOLE DIMENSION MUST BE .040±.003 [1.02±.08] DIA
  - D. MAX INSERTION FORCE/PIN 40 LBS [178N]
  - E. MIN WITHDRAWAL FORCE/PIN 10 LBS [44N]

PROPRIETARY INFORMATION THIS DOCUMENT CONTAINS PROPRIETARY INFORMATION OF THE SIEMON COMPANY AND IS DELIVERED ON THE EXPRESSED CONDITIONS THAT IT IS NOT TO BE DISCLOSED OR REPRODUCED IN WHOLE OR PART, OR USED FOR MANUFACTURING FOR ANYONE OTHER THAN THE SIEMON COMPANY WITHOUT ITS WRITTEN CONSENT AND THAT NO RIGHT IS GRANTED TO DISCLOSE OR SO USE ANY INFORMATION CONTAINED IN SAID DOCUMENT.	<b>THE SIEMON COMPANY</b> 76 WESTBURY PARK ROAD WATERTOWN, CT 06795 (860) 274-2523 www.siemon.com		TITLE <b>4-PAIR S110D SOLDERLESS PCB CONNECTOR</b>	
	TOLERANCES .00 ± .02 .000 ± .010 .0000 ± - ANGLES ± -		DRAWN BY <b>CEM</b>	DATE <b>7/20/92</b>
	ANSI Y14.5M-1982 OR ISO 1101, 129 & 3040 DIMENSIONS IN SQUARE BRACKETS ARE [mm], ALL OTHER DIMENSIONS ARE INCHES. DO NOT SCALE		CHECKED BY <b>RCC</b>	DATE <b>1/11/93</b>
	DWG. NO. <b>B-9052054</b>		ENGINEER <b>H. REYNOLDS</b>	DATE <b>1/12/93</b>
PART NO. <b>S110D-4-PF</b>			REV. <b>C</b>	
SCALE <b>2 : 1</b>			SHEET 1 OF 1	

**CUSTOMER USE DRAWING**

B-9052054

1 C