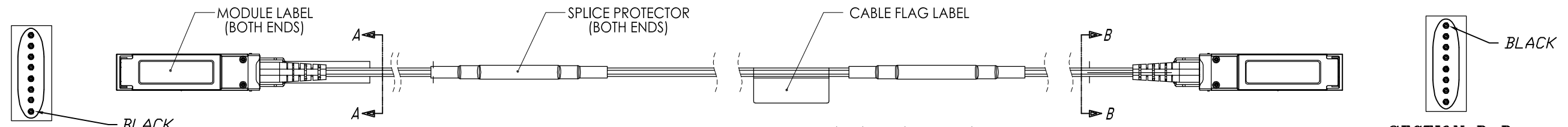
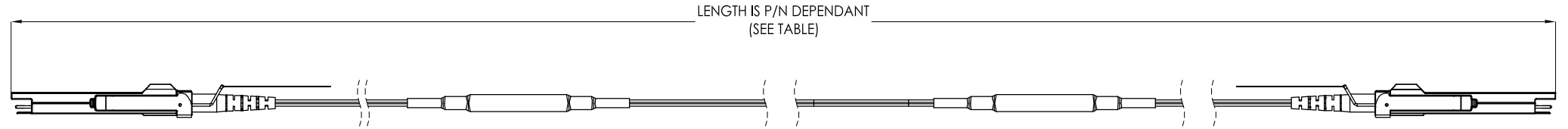
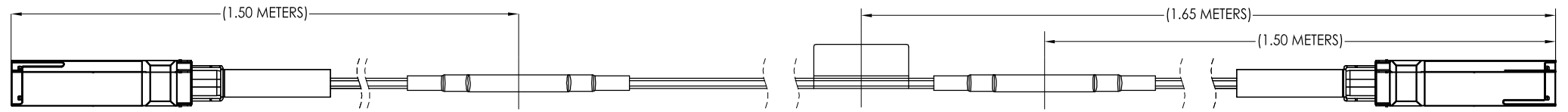


DWG. NO.	B-9080042		SH	REV.	CUD
REV.	ECD NO.	REVISIONS	BY	DATE	APVD.
A	XXXX	NEW RELEASE	WP	03/01/10	D.G. 03/01/10



SECTION A-A

SECTION B-B

QSFP-F(A)-(XXX)

BLANK = STANDARD POWER
A = LOW POWER

LENGTH IN METERS

1*	+0.1/-0.0
3*	+0.3/-0.0
5*	+0.5/-0.0
7	+0.7/-0.0
10	+1.0/-0.0
15	+1.0/-0.0
20	+1.0/-0.0
30	+1.0/-0.0
50	+1.0/-0.0
100	+1.0/-0.0
150	+1.0/-0.0
200	+1.0/-0.0
300	+1.0/-0.0

* FOR CABLES SHORTER THAN 6 METERS, ONE SPLICE PROTECTOR LOCATED APPROXIMATELY IN THE MIDDLE OF CABLE MAY BE USED.

4. CONTACT A SIEMON CO CUSTOMER SERVICE OR TECHNICAL SUPPORT REPRESENTATIVE FOR ADDITIONAL INFORMATION.

3. TEMPERATURE RANGE:
* INSTALLATION/OPERATING: 0 TO 70C.
* STORAGE: -40 TO 85C.

2. MATERIALS:
* HOUSINGS: ZINC DIE CAST.
* RELEASE MECHANISM: STAINLESS STEEL SLIDE/WIRE HANDLE WITH PULL TAB.
* PCB FINISH: ENEPIG.
* SCREWS: STAINLESS STEEL.
* JACKET MATERIAL: PVC.
* JACKET COLOR: PANTONE 113U TO 115U.
* LISTING: PLENUM.
* CABLE TYPE: RIBBON.
* FIBER: SINGLE MODE.

1. PACKAGING:
*0 ~ 5M: INDIVIDUALLY PACKAGED IN A POLYBAG.
*26M: INDIVIDUALLY PACKAGED ON A FLANGED RECTANGULAR REEL.
*230M: INDIVIDUALLY PACKAGED ON A FLANGED ROUND REEL.

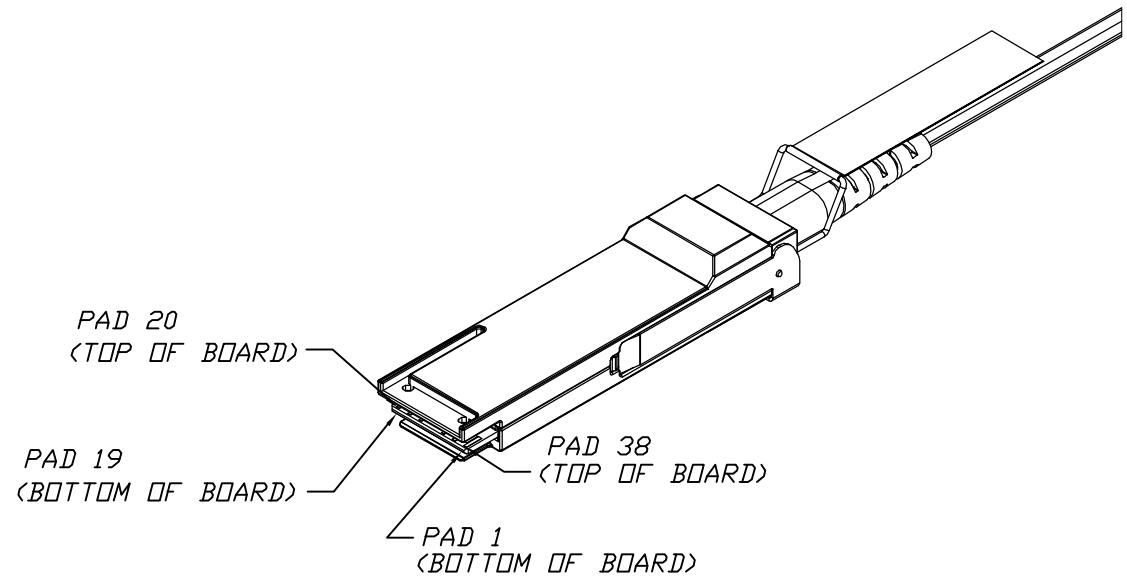
NOTES:

<small>PROPRIETARY INFORMATION THIS DOCUMENT CONTAINS PROPRIETARY INFORMATION OF THE SIEMON COMPANY AND IS DELIVERED ON THE EXPRESSED CONDITIONS THAT IT IS NOT TO BE DISCLOSED OR REPRODUCED IN WHOLE OR PART, OR USED FOR MANUFACTURING FOR ANYONE OTHER THAN THE SIEMON COMPANY WITHOUT ITS WRITTEN CONSENT AND THAT NO RIGHT IS GRANTED TO DISCLOSE OR SO USE ANY INFORMATION CONTAINED IN SAID DOCUMENT.</small>	THE SIEMON COMPANY 101 SIEMON COMPANY DRIVE WATERTOWN, CT 06795 (860) 945-4200 www.siemon.com		<small>TITLE</small> QSFP TO QSFP ACTIVE OPTICAL CABLE ASSEMBLY	
	<small>TOLERANCES</small>	<small>DRAWN BY</small>	<small>DATE</small>	<small>DWG. NO.</small>
	.00 ± 5mm	W. PIERINI	03/01/10	B-9080042
	.000 ± 0.5MM	<small>CHECKED BY</small>	<small>DATE</small>	<small>PART NO.</small>
	.0000 ± -	D. GIAMPIETRO	03/01/10	QSFP-F(A)-(XXX)
<small>ANGLES</small>	<small>ENGINEER</small>	<small>DATE</small>	<small>REV.</small>	
± -	W. PIERINI	03/01/10	A	
<small>ANSI Y14.5M-1982 OR ISO 1101, 129 & 3040</small> <small>DIMENSIONS ARE IN MM UNLESS OTHERWISE STATED.</small>				<small>SCALE</small> 1 : 2
<small>DO NOT SCALE</small>				<small>SHEET 1 OF 2</small>

DWG. NO. B-9080042
 SH 1
 REV. A

DWG. NO. **B-9080042** SH **2** REV. **A** **CUD**

REV.	ECD NO.	REVISIONS	BY	DATE	APVD.
A	XXXX	SEE SHEET 1	-	-	



BOTTOM CONTACTS		TOP CONTACTS	
PCB PAD NO.	FUNCTION	PCB PAD NO.	FUNCTION
1	GND	20	GND
2	Tx2n	21	Rx2n
3	Tx2p	22	Rx2p
4	GND	23	GND
5	Tx4n	24	Rx4n
6	Tx4p	25	Rx4p
7	GND	26	GND
8	ModSelL	27	ModPrsL
9	ResetL	28	IntL
10	Vcc Rx	29	Vcc Tx
11	SCL	30	Vcc1
12	SDA	31	LPMode
13	GND	32	GND
14	Rx3p	33	Tx3p
15	Rx3n	34	Tx3n
16	GND	35	GND
17	Rx1p	36	Tx1p
18	Rx1n	37	Tx1n
19	GND	38	GND

DWG. NO. **B-9080042**
 SH **2** REV. **A**

PROPRIETARY INFORMATION THIS DOCUMENT CONTAINS PROPRIETARY INFORMATION OF THE SIEMON COMPANY AND IS DELIVERED ON THE EXPRESSED CONDITIONS THAT IT IS NOT TO BE DISCLOSED OR REPRODUCED IN WHOLE OR PART, OR USED FOR MANUFACTURING FOR ANYONE OTHER THAN THE SIEMON COMPANY WITHOUT ITS WRITTEN CONSENT AND THAT NO RIGHT IS GRANTED TO DISCLOSE OR SO USE ANY INFORMATION CONTAINED IN SAID DOCUMENT.	THE SIEMON COMPANY 101 SIEMON COMPANY DRIVE WATERTOWN, CT 06795 (860) 945-4200 www.siemon.com		TITLE QSFP TO QSFP ACTIVE OPTICAL CABLE ASSEMBLY	
	TOLERANCES .00 ± 5MM .000 ± 0.5MM .0000 ± - ANGLES ± -		DRAWN BY W. PIERINI 03/01/10 CHECKED BY D. GIAMPIETRO 03/01/10 ENGINEER W. PIERINI 03/01/10	
	DIMENSIONS IN SQUARE BRACKETS ARE [mm], ALL OTHER DIMENSIONS ARE INCHES. DO NOT SCALE		DWG. NO. B-9080042	
	ANSI Y14.5M-1982 OR ISO 1101, 129 & 3040		PART NO. QSFP-F(A)-(XXX) REV. A	
		SCALE N.S. SHEET 2 OF 2		

© 1993 THE SIEMON COMPANY **CUSTOMER USE DRAWING**