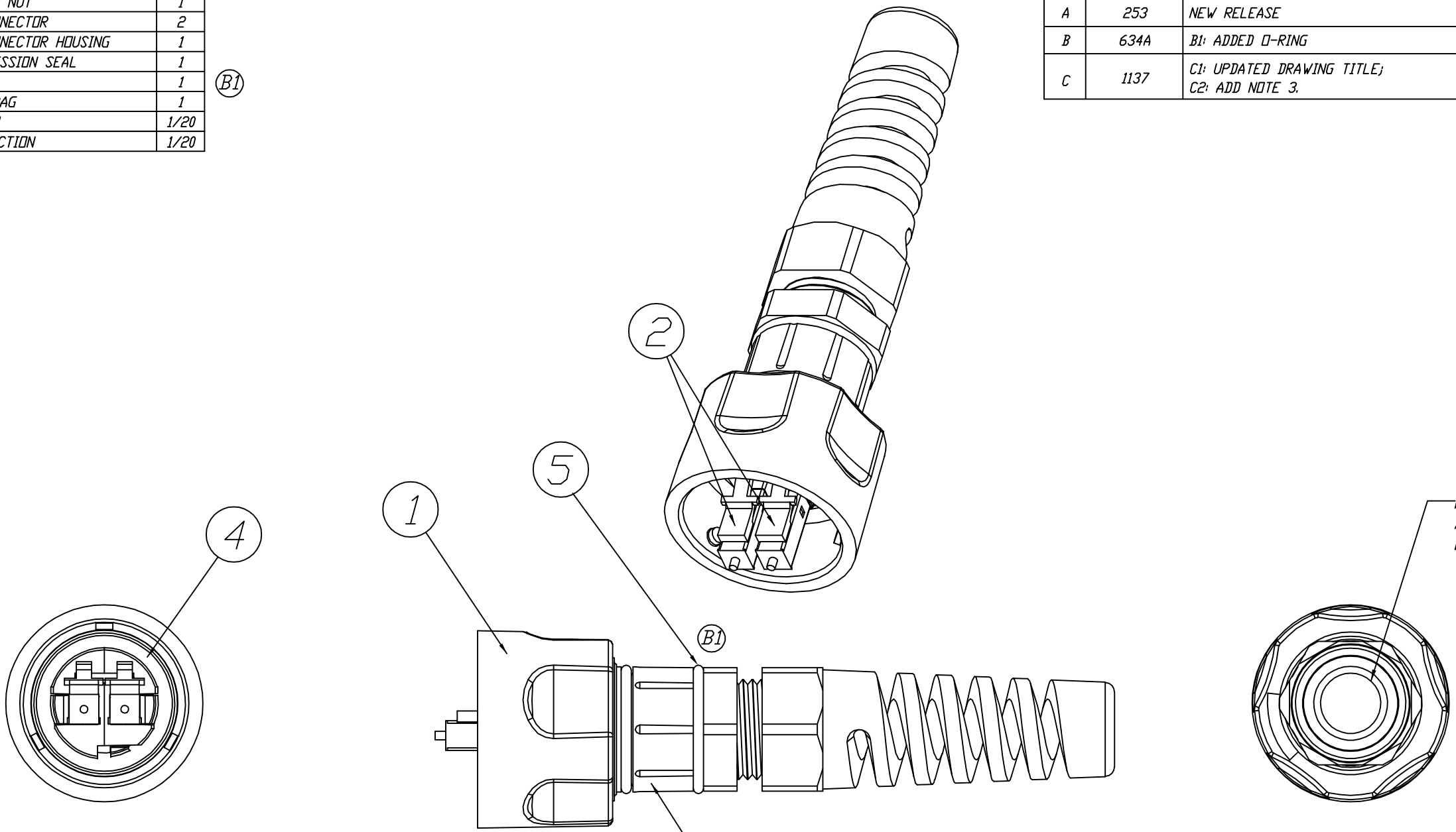


ITEM NO	DESCRIPTION	QTY
1	COLLAR NUT	1
2	LC CONNECTOR	2
3	LC CONNECTOR HOUSING	1
4	COMPRESSION SEAL	1
5	O-RING	1
-	POLY BAG	1
-	CARTON	1/20
-	INSTRUCTION	1/20

(B1)

REV.	ECD NO.	REVISIONS	BY	DATE	APVD.
A	253	NEW RELEASE	MDW	11/17/04	MW 11/17/04
B	634A	B1: ADDED O-RING	DRH	7/13/05	SN 7/ /05
C	1137	C1: UPDATED DRAWING TITLE; C2: ADD NOTE 3.	KJC	07/11/06	SN 7/17/06



(C2)

NOTES: 3. LC PLUG ACCEPTS TWO STRAND, ROUND BREAK OUT STYLE FIBER.
2. FOR MORE INFORMATION, CONTACT A SIEMON CUSTOMER SERVICE REPRESENTATIVE
1. MATERIAL: COLLAR NUT, CONNECTOR HOUSING - GLASS FILLED PBT

PROPRIETARY INFORMATION
THIS DOCUMENT CONTAINS PROPRIETARY INFORMATION OF THE SIEMON COMPANY AND IS DELIVERED ON THE EXPRESSED CONDITIONS THAT IT IS NOT TO BE DISCLOSED OR REPRODUCED IN WHOLE OR PART, OR USED FOR MANUFACTURING FOR ANYONE OTHER THAN THE SIEMON COMPANY WITHOUT ITS WRITTEN CONSENT AND THAT NO RIGHT IS GRANTED TO DISCLOSE OR SO USE ANY INFORMATION CONTAINED IN SAID DOCUMENT.

THE SIEMON COMPANY
101 SIEMON COMPANY DRIVE
WATERTOWN, CT 06795
(860) 945-4200 www.siemon.com

TOLERANCES

.00	±.02
.000	±.010
.0000	-
ANGLES	1°

DRAWN BY MDW **DATE** 11/17/04
CHECKED BY KJC **DATE** 11/17/04
ENGINEER MDW **DATE** 11/17/04

ANSI Y14.5M-1982 OR ISO 1101, 129 & 3040
DIMENSIONS IN SQUARE BRACKETS ARE (mm), ALL OTHER DIMENSIONS ARE INCHES. DO NOT SCALE

TITLE
INDUSTRIAL LC FIBER PLUG
MULTIMODE DUPLEX (C1)

DWG. NO. B-9076885
PART NO. XPLC2-MM
SCALE 3:2

REV. C
SHEET 1 OF 1

DWG. NO. B-9076885 SH 1 REV. C

CUSTOMER USE DRAWING