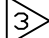

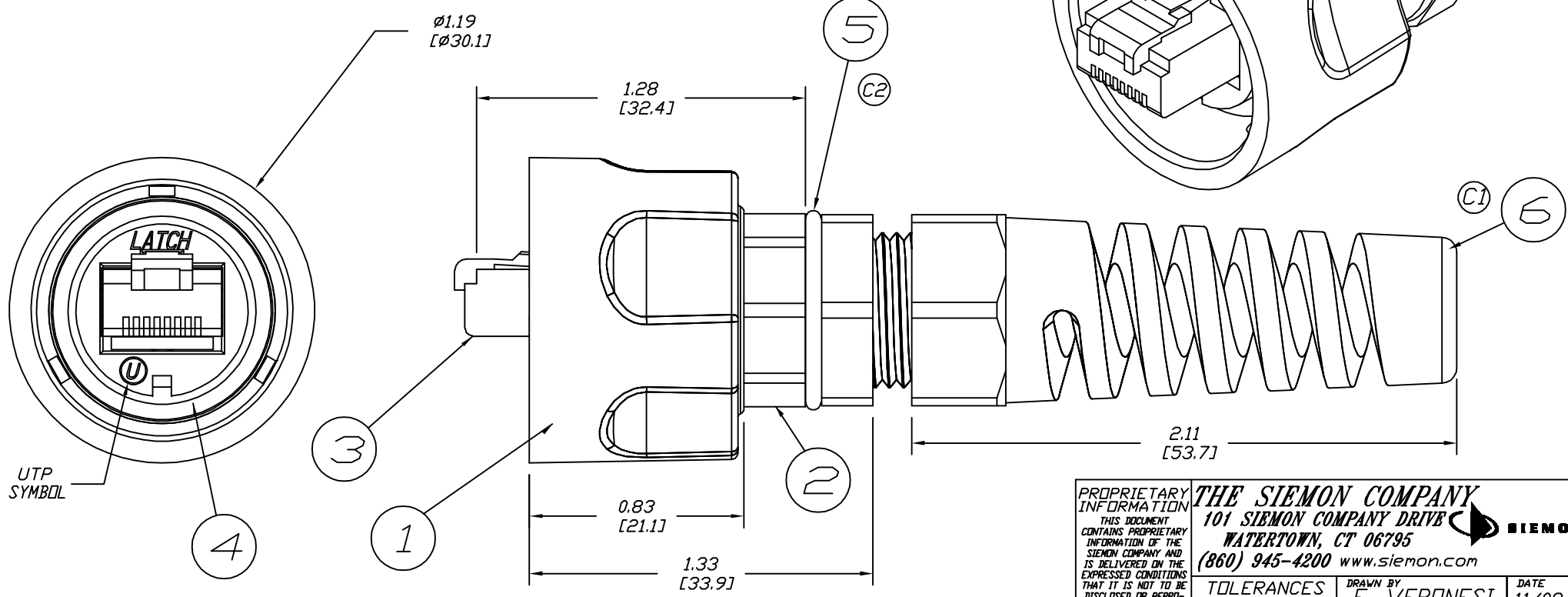
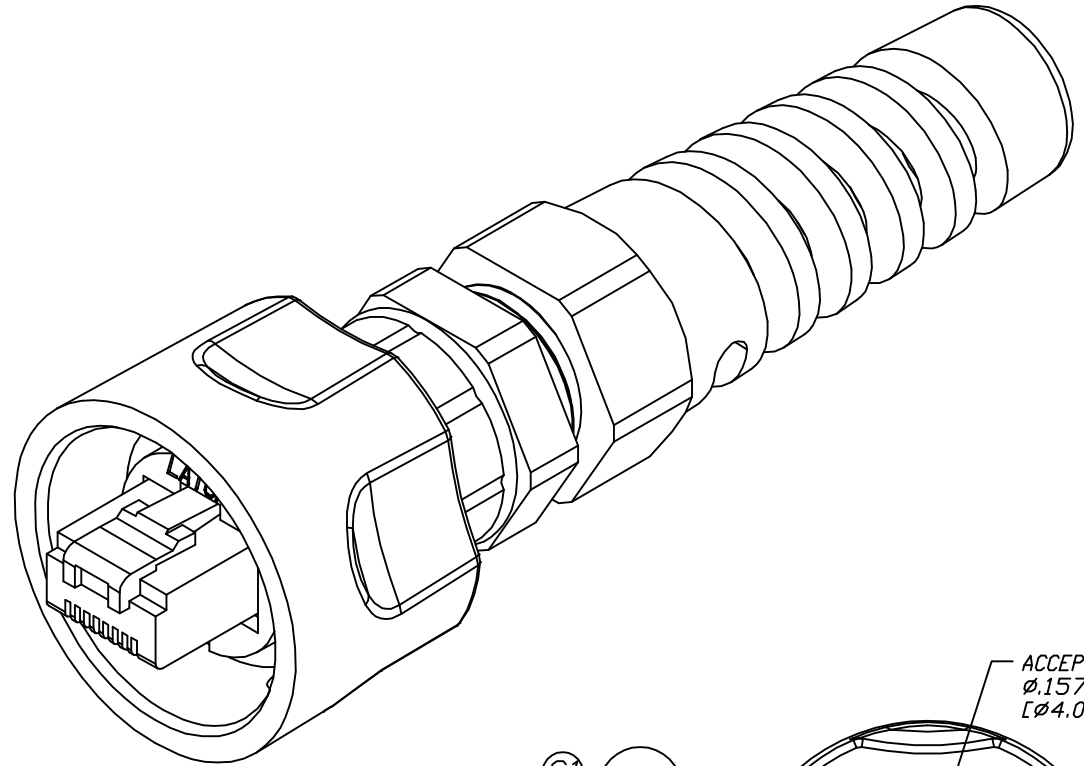

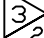


ITEM NO	DESCRIPTION	QTY
1	COLLAR NUT	1
2	RJ45 PLUG HOUSING UNSHIELDED	1
3	RJ45 MODULAR PLUG  	1
4	COMPRESSION SEAL	1
5	O-RING	1
6	STRAIN RELIEF FLEX NUT	1
-	INSTRUCTION	1/20
-	POLY BAG	1
-	CARTON	1/20

REV.	SCN NO.	REVISIONS	BY	DATE	APVD.
A	6761	NEW RELEASE	EV	11/08/01	EV 11/08/01
B	6829	B1: UPDATED NOTE 3, ADDED NOTE 4	FWM	01/08/02	FWM 01/08/02
C	212, 634A	C1: CHANGED STRAIN RELIEF NUT C2: ADDED O-RING	DRH	08/03/05	KJC 08/03/05



ACCEPTABLE CABLE
 ϕ .157" - ϕ .315"
 $[\phi$ 4.0 - ϕ 8.0]

(B1)  MAX. INNER CABLE DIAMETER .2 [5.1]
 CONFORMS TO IEC 60603-7
 2. FOR MORE INFORMATION PLEASE CONTACT A SIEMON COMPANY CUSTOMER SERVICE REPRESENTATIVE.
 NOTES: 1. MATERIAL: COLLAR NUT, PLUG HOUSING- GLASS FILLED PBT.

PROPRIETARY INFORMATION
 THIS DOCUMENT CONTAINS PROPRIETARY INFORMATION OF THE SIEMON COMPANY AND IS DELIVERED ON THE EXPRESSED CONDITIONS THAT IT IS NOT TO BE DISCLOSED OR REPRODUCED IN WHOLE OR PART, OR USED FOR MANUFACTURING FOR ANYONE OTHER THAN THE SIEMON COMPANY WITHOUT ITS WRITTEN CONSENT AND THAT NO RIGHT IS GRANTED TO DISCLOSE OR USE ANY INFORMATION CONTAINED IN SAID DOCUMENT.

THE SIEMON COMPANY
 101 SIEMON COMPANY DRIVE
 WATERTOWN, CT 06795
 (860) 945-4200 www.siemon.com

TOLERANCES	DRAWN BY	DATE
.00 ±.02	E. VERONESI	11/08/01
.000 ±.010	CHECKED BY	DATE
.0000 —	F. MITCHELL	11/08/01
ANGLES 1°	ENGINEER	DATE
	F. MITCHELL	11/08/01

ANSI Y14.5M-1982 OR ISO 1101, 129 & 3040
 DIMENSIONS IN SQUARE BRACKETS ARE [mm], ALL OTHER DIMENSIONS ARE INCHES. DO NOT SCALE

INDUSTRIAL CONNECTOR
PLUG SIDE ASSEMBLY
UNSHIELDED

DWG. NO. **B-9077020**

PART NO. **XP85** REV. **C**

SCALE **2:1** SHEET **1 OF 1**

CUSTOMER USE DRAWING

DWG. NO. **B-9077020** SH **1** REV. **C**