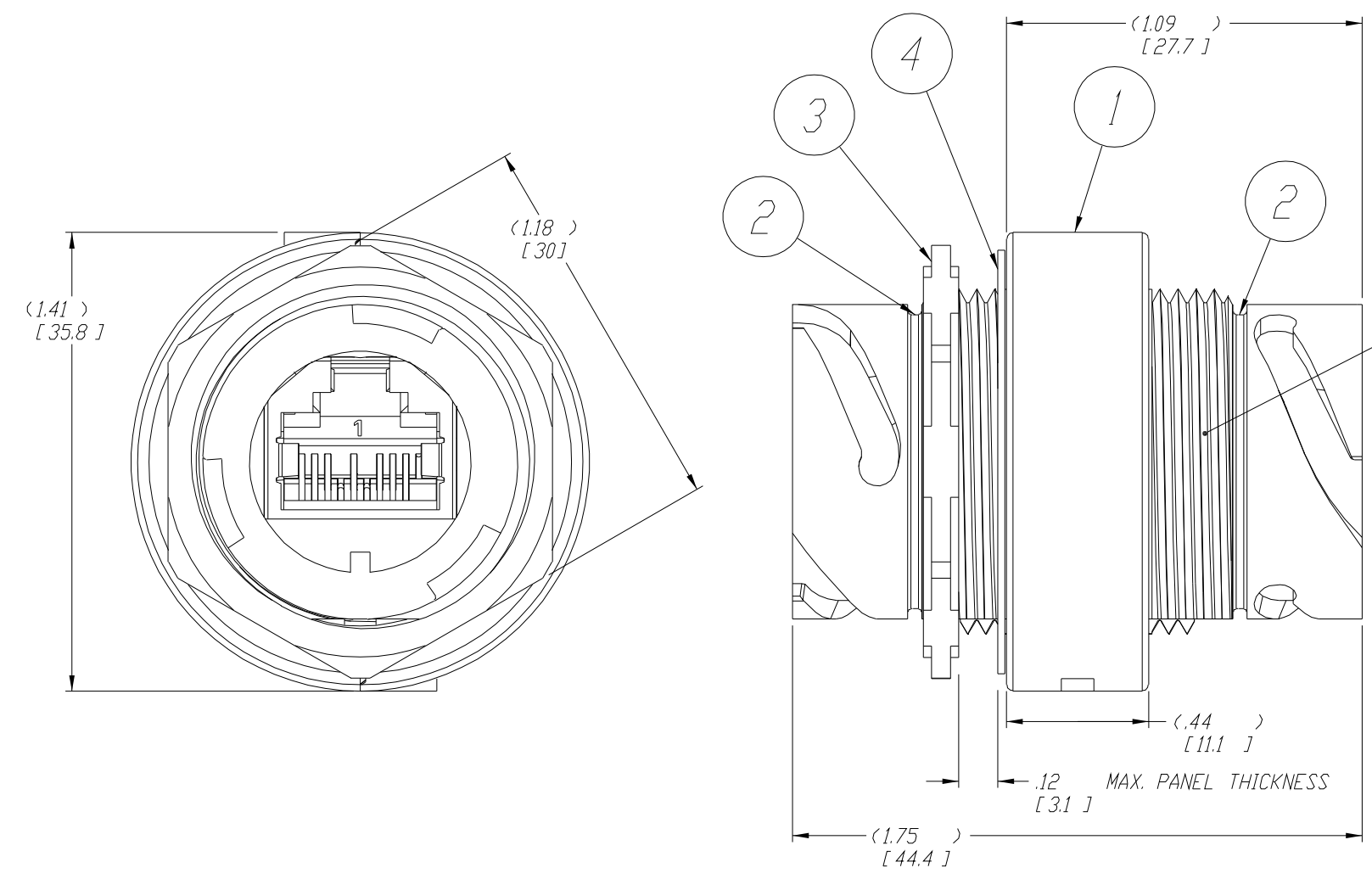
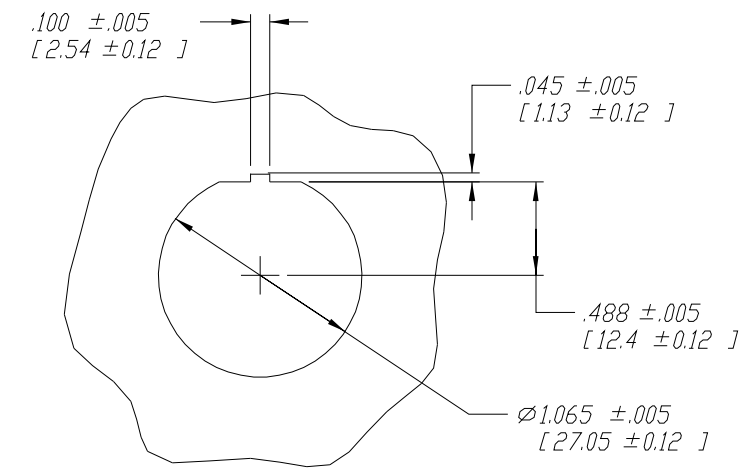
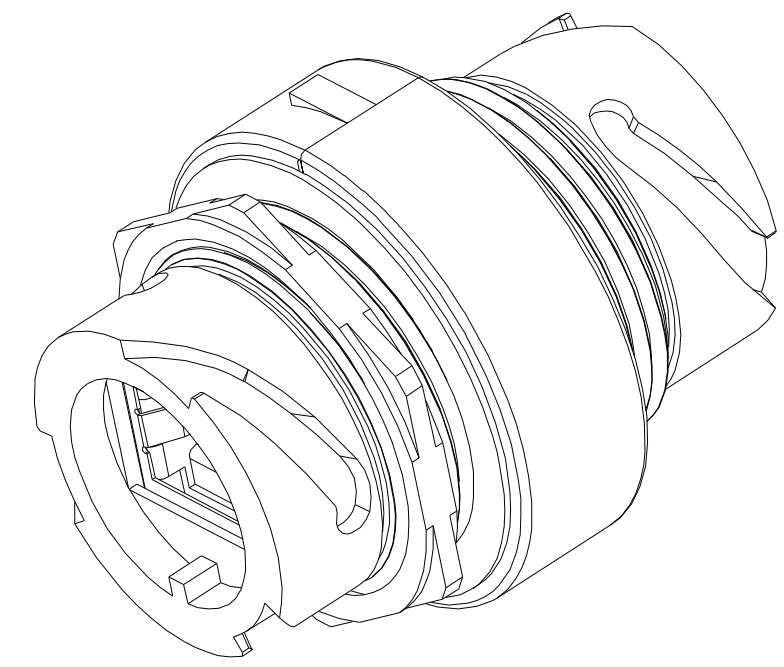


ITEM	DESCRIPTION	QTY
1	INDUSTRIAL BULKHEAD CONNECTOR	1
2	O-RING	2
3	PANEL NUT	1
4	PANEL SEAL GASKET	1
-	INSTALLATION INSTRUCTIONS	1/20

REV.	ECD NO.	REVISIONS	BY	DATE	APVD.
A	701C	NEW RELEASE	WP	6/29/06	JDK 7/26/06
B	1275B	B1: UPDATED PLATING SPEC IN NOTE 1.	JS	10/11/07	



THREAD: 1-1/16 X 18 UNEF



PANEL KNOCKOUT
PANEL THICKNESS: .035 - .120 [.9 - 3]
SCALE: 1:1

- 5. FOR MORE INFORMATION PLEASE CONTACT A SIEMON COMPANY CUSTOMER SERVICE REPRESENTATIVE.
- 4. CATEGORY 5e COMPATIBLE PER ANSI/TIA/EIA-568-B.2
- 3. COMPATIBLE WITH SHIELDED AND UNSHIELDED APPLICATIONS
- 2. PANEL NUT MUST BE TIGHTEND TO 20 IN-LBS [2.26 N-m]. A TORQUE WRENCH IS REQUIRED.
(FOR REFERENCE, THIS IS APPROXIMATELY 1/4 TURN AFTER THE PANEL NUT CONTACTS THE FACEPLATE.)

- B1** 1. MATERIAL:
- JACK CONTACTS: HIGH GRADE COPPER ALLOY WITH 50 MICROINCHES MIN. ELECTROPLATED HARD GOLD OVER NICKEL, OR 3-8 MICROINCHES GOLD FLASH OVER 40 MICROINCHES MIN. 80 PALLADIUM/20 NICKEL OVER NICKEL UNDERPLATE.
 - JACK SHIELD: BRASS ALLOY WITH .0001 MINIMUM TIN OVER 100uIN MINIMUM NICKEL.
 - CONNECTOR HOUSING: GLASS FILLED PBT
 - PANEL NUT: ZINC ALLOY WITH NICKEL PLATING.
 - SEAL GASKETS: SILICONE

NOTES:

PROPRIETARY INFORMATION
THIS DOCUMENT CONTAINS PROPRIETARY INFORMATION OF THE SIEMON COMPANY AND IS DELIVERED ON THE EXPRESSED CONDITIONS THAT IT IS NOT TO BE DISCLOSED OR REPRODUCED IN WHOLE OR PART, OR USED FOR MANUFACTURING FOR ANYONE OTHER THAN THE SIEMON COMPANY WITHOUT ITS WRITTEN CONSENT AND THAT NO RIGHT IS GRANTED TO DISCLOSE OR SO USE ANY INFORMATION CONTAINED IN SAID DOCUMENT.

THE SIEMON COMPANY
101 SIEMON COMPANY DRIVE
WATERTOWN, CT 06795
(860) 945-4200 www.siemon.com

SIEMON™

TOLERANCES	DRAWN BY	DATE
.00 ±.02	JOHN O'KEEFE	3/10/06
.000 ±.010	CHECKED BY	DATE
.0000 -	ENGINEER	DATE
ANGLE 1°	JOHN O'KEEFE	3/10/06

ANSI Y14.5M-1982 OR ISO 1101, 129 & 3040
DIMENSIONS IN SQUARE BRACKETS ARE [mm], ALL OTHER DIMENSIONS ARE INCHES. DO NOT SCALE

TITLE: **INDUSTRIAL BULKHEAD CONNECTOR**
CAT.5e, F/UTP & UTP

DWG. NO. **B-9077094**

PART NO. **X5-X5S** REV. **B**

SCALE **2:1** SHEET **1** OF **1**

CUSTOMER USE DRAWING

DWG. NO. B-9077094 SH 1 REV B