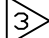

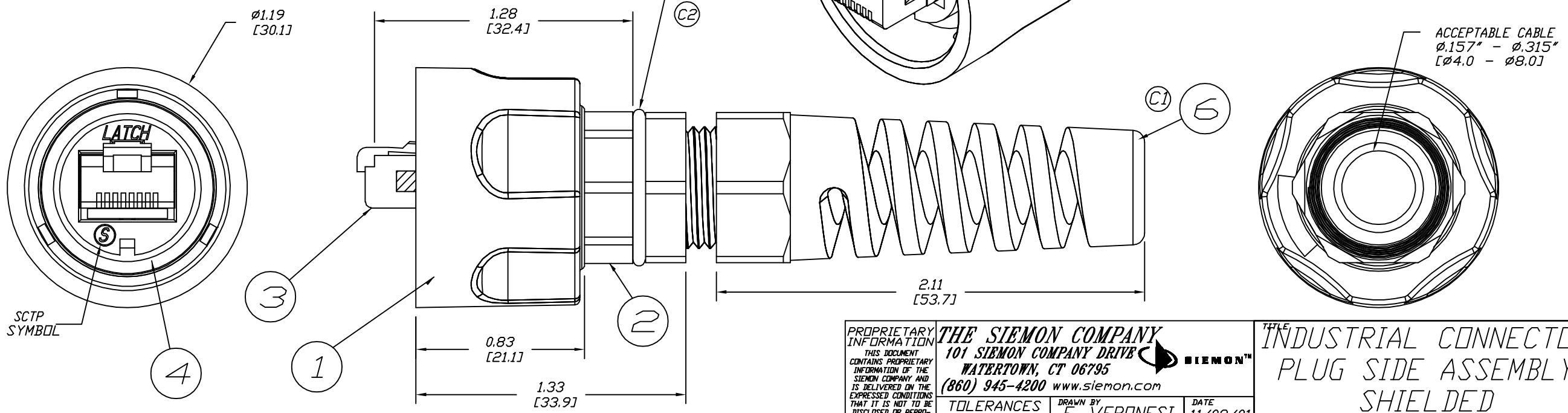
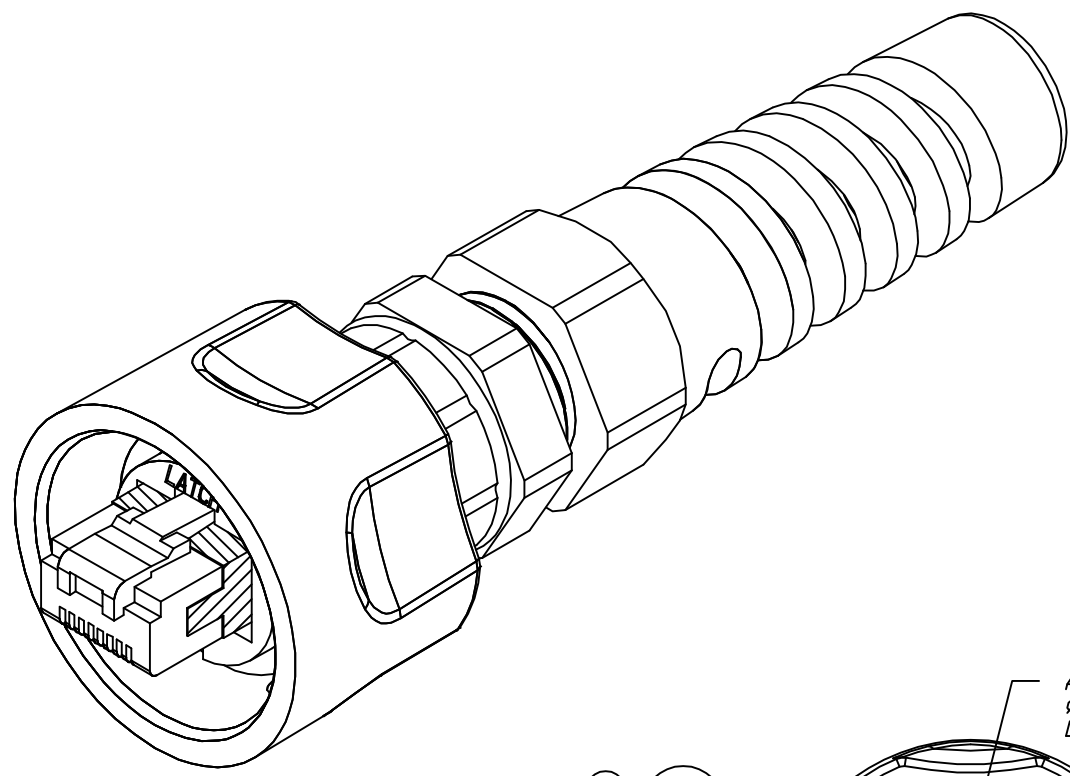


ITEM NO	DESCRIPTION	QTY
1	COLLAR NUT	1
2	RJ45 PLUG HOUSING SHIELDED	1
3	RJ45 MODULAR PLUG  	1
4	COMPRESSION SEAL	1
5	O-RING	1
6	STRAIN RELIEF FLEX NUT	1
-	INSTRUCTION	1/20
-	POLY BAG	1
-	CARTON	1/20

REV.	SCN NO.	REVISIONS	BY	DATE	APVD.
A	6761	NEW RELEASE	EV	11/08/01	EV 11/27/01
B	6829	B1: UPDATE NOTE3, ADDED NOTE 4	FWM	01/08/02	FWM 01/08/02
C	212, 634A	C1: CHANGED STRAIN RELIEF NUT C2: ADDED O-RING	DRH	08/03/05	KJC 08/03/05



- NOTES:
- 1. MATERIAL: COLLAR NUT, PLUG HOUSING- GLASS FILLED PBT
 - 2. FOR MORE INFORMATION PLEASE CONTACT A SIEMON COMPANY CUSTOMER SERVICE REPRESENTATIVE.
 - 3. CONFORMS TO IEC 60603-7
 - 4. MAX INNER JACKET DIAMETER .2 [5.1]

PROPRIETARY INFORMATION
THIS DOCUMENT CONTAINS PROPRIETARY INFORMATION OF THE SIEMON COMPANY AND IS DELIVERED ON THE EXPRESSED CONDITIONS THAT IT IS NOT TO BE DISCLOSED OR REPRODUCED IN WHOLE OR PART, OR USED FOR MANUFACTURING FOR ANYONE OTHER THAN THE SIEMON COMPANY WITHOUT ITS WRITTEN CONSENT AND THAT NO RIGHT IS GRANTED TO DISCLOSE OR SO USE ANY INFORMATION CONTAINED IN SAID DOCUMENT.

THE SIEMON COMPANY
101 SIEMON COMPANY DRIVE
WATERTOWN, CT 06795
(860) 945-4200 www.siemon.com

TOLERANCES	DRAWN BY	DATE
.00 ±.02	E. VERONESI	11/08/01
.000 ±.010	CHECKED BY	DATE
.0000 —	F. MITCHELL	11/08/01
ANGLES 1°	ENGINEER	DATE
	F. MITCHELL	11/08/01

ANSI Y14.5M-1982 OR ISO 1101, 129 & 3040
DIMENSIONS IN SQUARE BRACKETS ARE [mm], ALL OTHER DIMENSIONS ARE INCHES. DO NOT SCALE

INDUSTRIAL CONNECTOR
PLUG SIDE ASSEMBLY
SHIELDED

DWG. NO. **B-9077047**

PART NO. **XP85S** REV. **C**

SCALE **2:1** SHEET **1 OF 1**

CUSTOMER USE DRAWING

DWG. NO. B-9077047 SH 1 REV. C