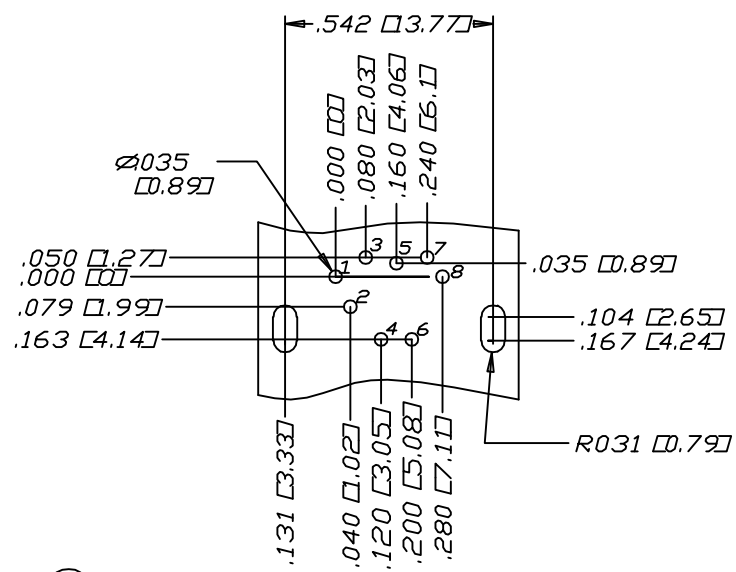
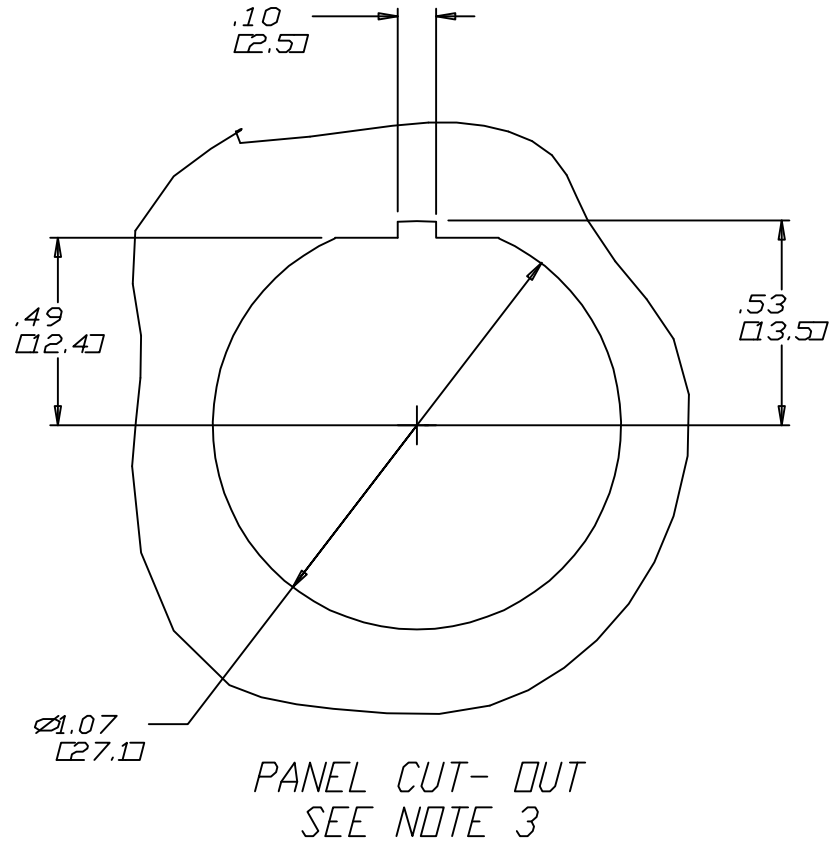
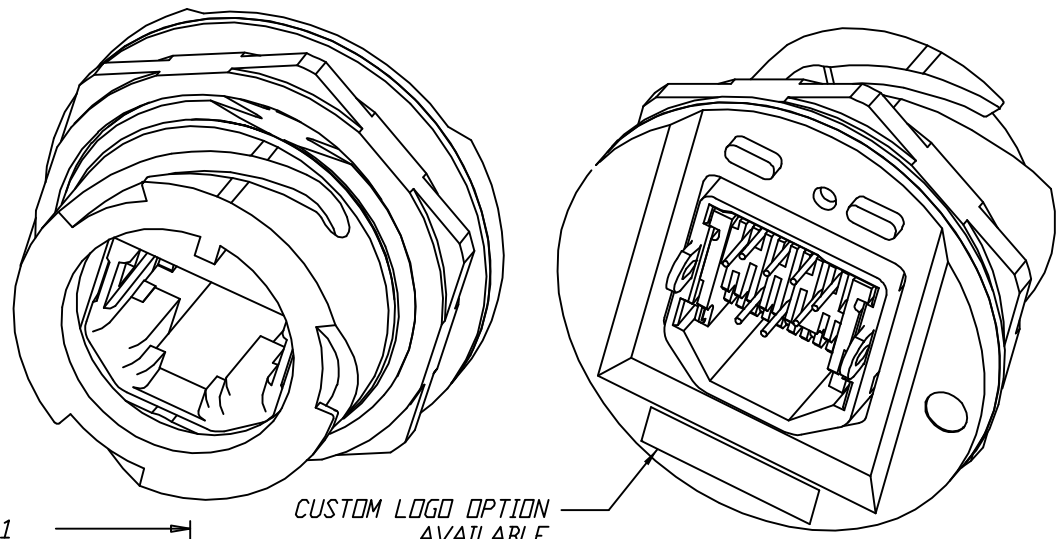


ITEM NO.	DESCRIPTION	QTY
1	JACK HOUSING	1
2	O-RING	1
3	JAM NUT	1
4	FACEPLATE SEAL	1
5	JACK/CONTACT ASSEMBLY	1

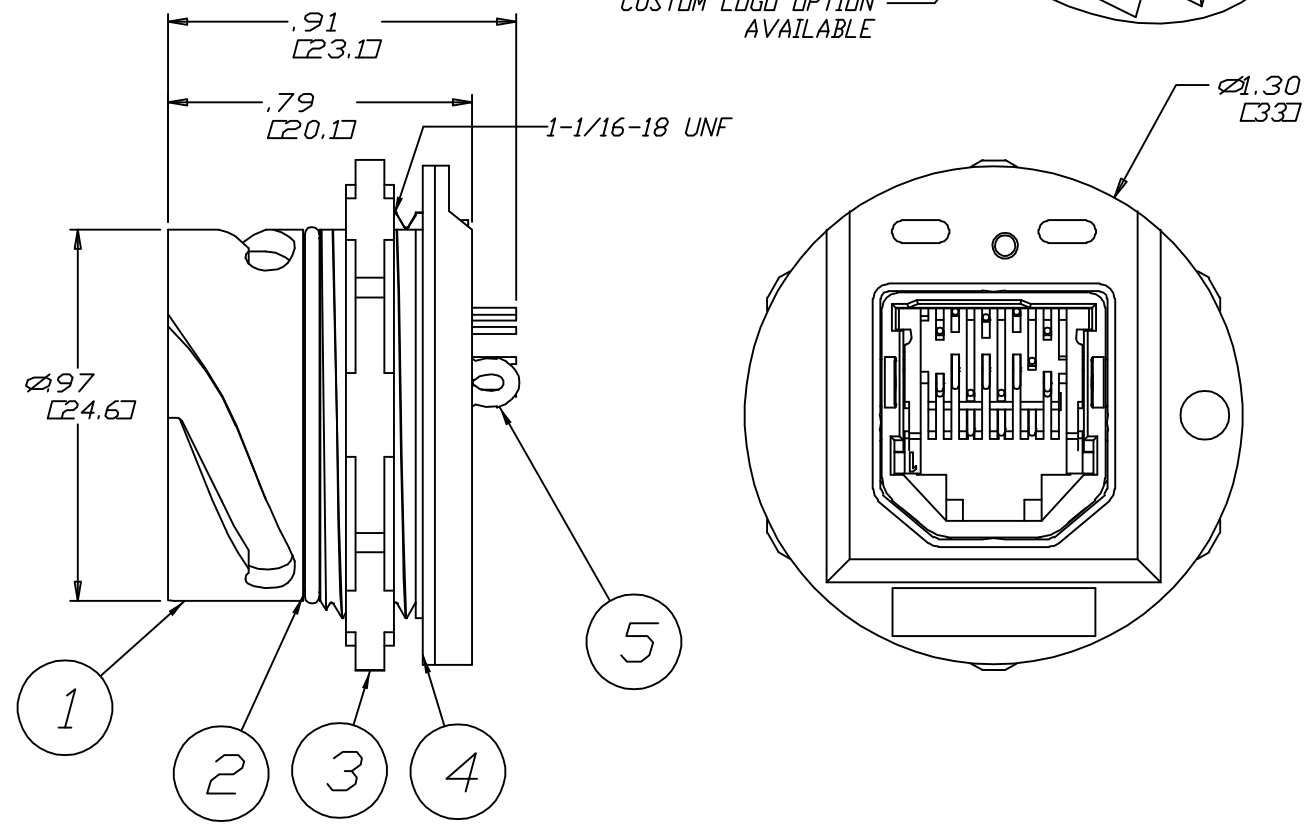
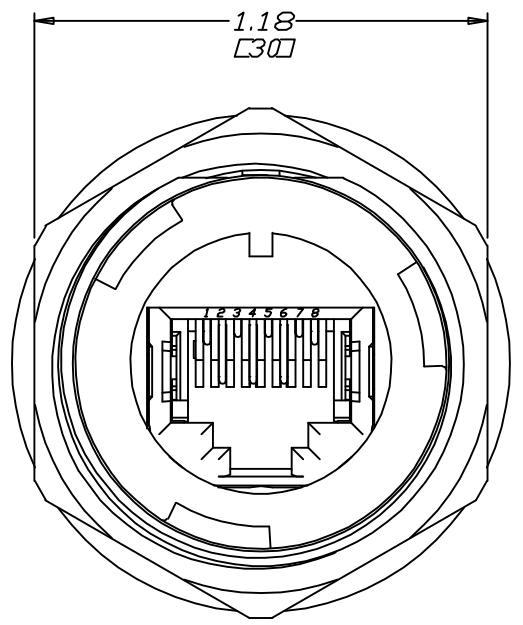
REV.	SCN NO.	REVISIONS	BY	DATE	APVD.
A	6776	NEW RELEASE	EV	11/15/01	EV 11/23/01
B	7324	B1: REVISED PCB LAYOUT	FWM	8/26/02	
C	1987	B1: M-9077022 WAS B-9077022. B2: UPDATED COMPANY LOGO ADDRESS.	WP	10/27/08	



(B1) RECOMMENDED PCB LAYOUT (JACK SIDE SHOWN)



PANEL CUT-OUT SEE NOTE 3



- NOTES:
4. FOR MORE INFORMATION PLEASE CONTACT A SIEMON COMPANY CUSTOMER SERVICE REPRESENTATIVE.
  3. MAXIMUM PANEL THICKNESS = .035"-.12" [.9mm-3mm]
  2. PCB THICKNESS = .060"
  1. MATERIAL: JACK HOUSING - GLASS FILLED PBT  
CONTACTS - HIGH GRADE COPPER ALLOY WITH 50µIN MINIMUM HARD GOLD OVER 100µIN MINIMUM NICKEL AT PLUG INTERFACE.

<small>PROPRIETARY INFORMATION</small> THIS DOCUMENT CONTAINS PROPRIETARY INFORMATION OF THE SIEMON COMPANY AND IS DELIVERED ON THE EXPRESSED CONDITIONS THAT IT IS NOT TO BE DISCLOSED OR REPRODUCED IN WHOLE OR PART, OR USED FOR MANUFACTURING FOR ANYONE OTHER THAN THE SIEMON COMPANY WITHOUT ITS WRITTEN CONSENT AND THAT NO RIGHT IS GRANTED TO DISCLOSE OR SO USE ANY INFORMATION CONTAINED IN SAID DOCUMENT.	<b>THE SIEMON COMPANY</b> 101 SIEMON COMPANY DRIVE WATERTOWN, CT 06795 (860) 945-4200 www.siemon.com		<b>INDUSTRIAL CONNECTOR</b> OEM OUTLET ASSEMBLY UTP		
	TOLERANCES .00 ±.02 .000 ±.010 .0000 — ANGLES 1°	DRAWN BY <b>E. VERONESI</b>	DATE 11/15/01	DWG. NO. M-9077022	PART NO. XMJ-88
	ANSI Y14.5M-1982 OR ISO 1101, 129 & 3040 DIMENSIONS IN SQUARE BRACKETS ARE [mm], ALL OTHER DIMENSIONS ARE INCHES. DO NOT SCALE	CHECKED BY <b>F. MITCHELL</b>	DATE 11/15/01	REV. C	SCALE 2:1
			ENGINEER <b>F. MITCHELL</b>	DATE 11/15/01	SHEET 1 OF 1

DWG. NO. B-9077022 SH 1 REV. C